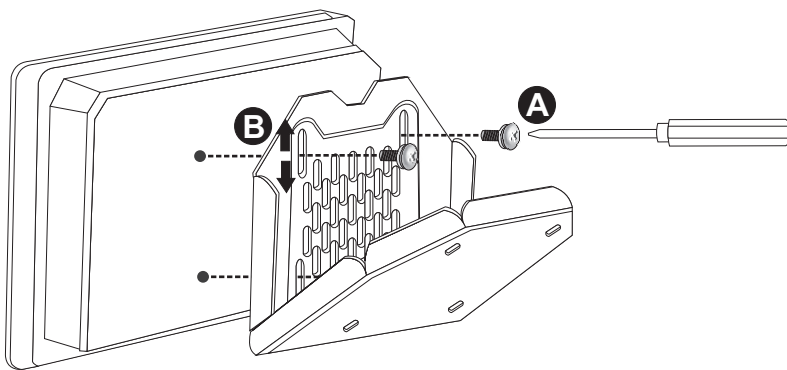
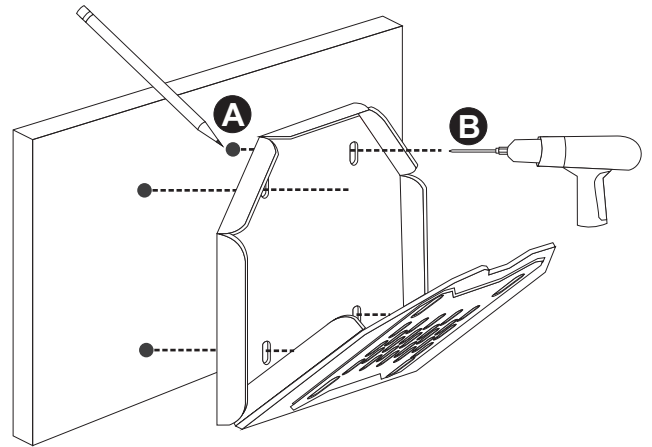


V-Stand - VESA Standard Multi-Mounting Stand

- 1 Carefully mark the locations of the four V-Stand screw holes on the mounting area. Drill four pilot holes at the marked locations for the V-Stand retention screws.



- 2 Align the screw holes on the V-Stand with the VESA mount screw holes on the system rear panel.
- 3 Insert the four monitor mounting screws into the four screw holes on the system rear panel. Adjust the V-Stand to a proper position.
- 4 Tighten until the screw shank is secured against the rear panel.

- 5 Align the V-Stand screw holes with the pilot holes on the mounting area. Mount the V-Stand by inserting the retention screws into the four pilot holes and tightening them.

- 6 Adjust the V-Stand to have a best viewing angle to operate the system.

