

iM2-DLAN

Dual 2.5GbE LAN M.2 B+M Key Module

Quick Installation Guide

Version 1.00

February, 2024

Features

- M.2 B+M key module supports dual 2.5GbE LAN
- Intel® I226-V Ethernet controllers
- Support link aggregation/jumbo frames (9 Kbyte)

Packing List

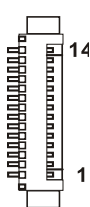
- 1 x iM2-DLAN module
- 1 x RJ-45 connector card
- 2 x Flat LAN cable (p=1.25mm)
- 1 x I/O shielding
- 1 x QIG (Quick Installation Guide)

Specifications

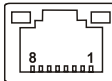
Form Factor	M.2 B+M key 3042
Input Interface	M.2 B/M key 3042 (PCIe Gen3 x2 signal)
Ethernet Controller	LAN1: Intel® i226-V controller LAN2: Intel® i226-V controller
Speed	100/1000/2500 Mbps
External Connector	2 x RJ-45 Ethernet connector (8-pin)
Internal Connector	2 x 14-pin LAN port
Operating Temperature	-10°C ~ 65°C
Storage Temperature	-20°C ~ 70°C
Operating Humidity	5% ~ 95%, non-condensing
Dimensions (WxL)	30 mm x 42 mm
Weight	GW: 100g / NW: 50g
Safety	CE/FCC compliant

Connectors

J1/J2: Internal 14-pin LAN connectors (iM2-DLAN)			
Pin	Description	Pin	Description
1	+3.3V	8	MDI1_N
2	INK_ACT_N	9	MDI2_P
3	1G_N	10	MDI2_N
4	2.5G_N	11	MDI3_P
5	MDI0_P	12	MDI3_N
6	MDI0_N	13	GND
7	MDI1_P	14	GND

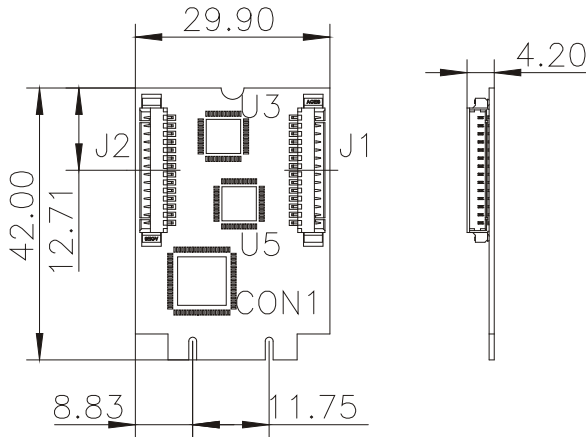


LAN1/LAN2: External RJ-45 LAN connectors (RJ-45 connector card)			
Pin	Description	Pin	Description
1	MDIA0+	2	MDIA0-
3	MDIA1+	4	MDIA2+
5	MDIA2-	6	MDIA1-
7	MDIA3+	8	MDIA3-

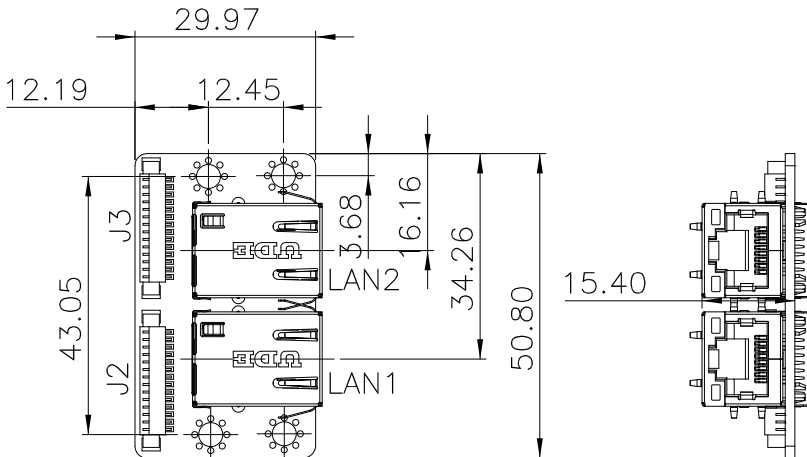


Dimensions (Unit: mm)

iM2-DLAN module:



RJ-45 connector card:



Safety Instructions



Warning! Read the user manual before connecting the system to the power source.

Warning! To prevent the system from overheating, do not operate it in an area that exceeds the maximum operating temperature described in the user manual.

Warning! Ultimate disposal of this product should be handled according to all national laws and regulations.

Support



IEI Support URL

http://new.ieiworld.com/tw/online_support_form

Compliance



This equipment has been tested and found to comply with specifications for CE marking. If the user modifies and/or installs other devices in the equipment, the CE conformity declaration may no longer apply.



This equipment complies with Part 15 of the FCC Rules. Operation is subject to the following two conditions:

- This device may not cause harmful interference, and
- This device must accept any interference received, including interference that may cause undesired operation.

This equipment has been tested and found to comply with the limits for a Class A digital device, pursuant to part 15 of the FCC Rules. These limits are designed to provide reasonable protection against harmful interference when the equipment is operated in a commercial environment. This equipment generates, uses, and can radiate radio frequency energy and, if not installed and used in accordance with the instruction manual, may cause harmful interference to radio communications. Operation of this equipment in a residential area is likely to cause harmful interference in which case the user will be required to correct the interference at his own expense.



According to the requirement of the WEEE legislation the following user information is provided to customers for all branded IEI Electronics products subject to the WEEE directive.

This symbol on the product or on its packaging indicates that this product must not be disposed of with your other household waste. Instead, it is your responsibility to dispose of your waste equipment by handing it over to a designated collection point for the recycling of waste electrical and electronic equipment. The separate collection and recycling of your waste equipment at the time of disposal will help to conserve natural resources and ensure that it is recycled in a manner that protects human health and the environment. For more information about where you can drop o- your waste equipment for recycling, please contact your local city office, your household waste disposal service or the shop where you purchased the product.

Headquarters

IEI Integration Corp.

No. 29, ZhongXing Rd., Xizhi Dist.,
New Taipei City 221, Taiwan
TEL: +886-2-8691-6798/+886-2-2690-2098
FAX: +886-2-6616-0028
sales@ieiworld.com
www.ieiworld.com

America

IEI Technology USA Corp.

138 University Parkway, Pomona,
CA 91768, USA
Tel:+1-909-595-2819
Fax:+1-909-595-2816
sales@usa.ieiworld.com
usa.ieiworld.com

China

IEI Integration (Shanghai) Corp.

No. 515, Shen Fu Rd., Xin Zhuang Industrial Develop Zone,
Shanghai, 201108, China
Tel:+86-21-3116-7799
Fax:+86-21-3462-7797
sales@ieiworld.com.cn
www.ieiworld.com.cn