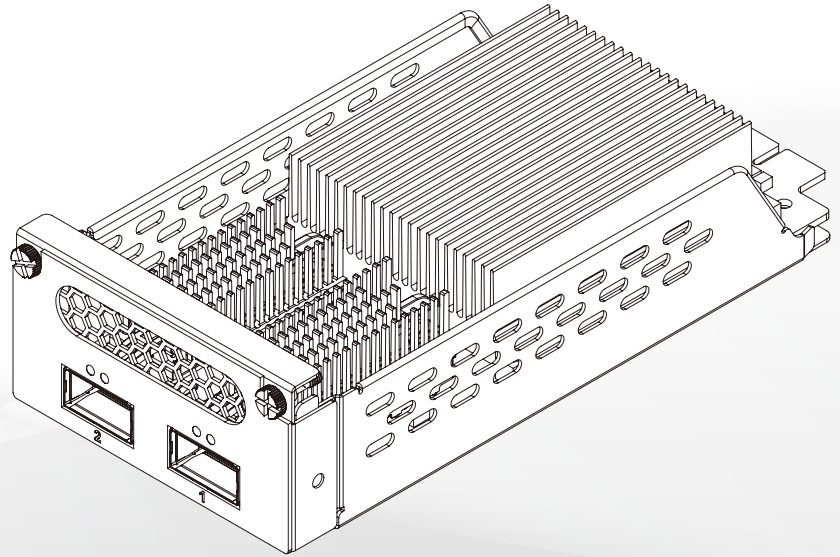




PuIM Series

For Puzzle-IN005

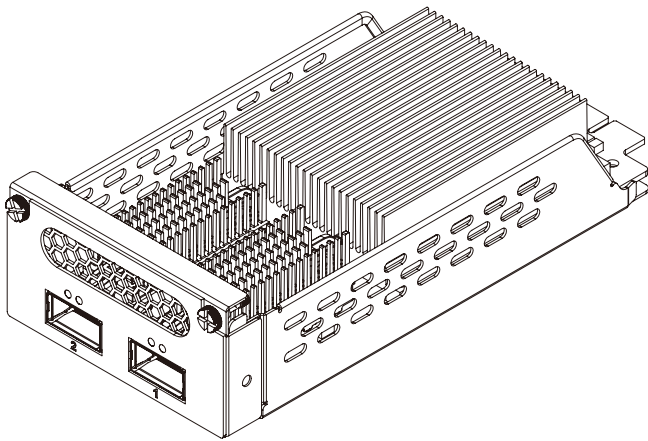
PuIM-100G2SF-E810



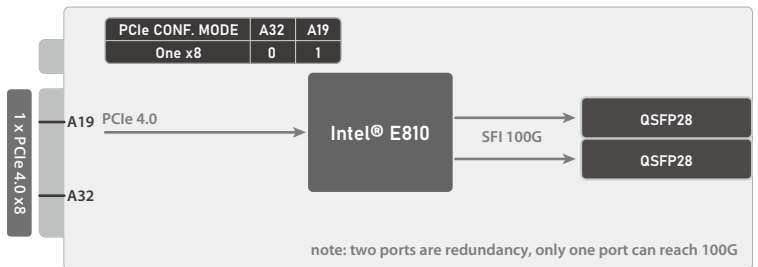
www.ieiworld.com

Package Contents

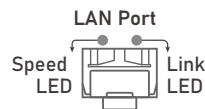
PuIM-100G2SF-E810



PuIM-100G2SF-E810 Block Diagram

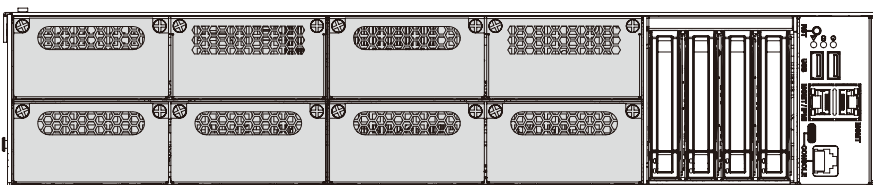


LAN LED Status

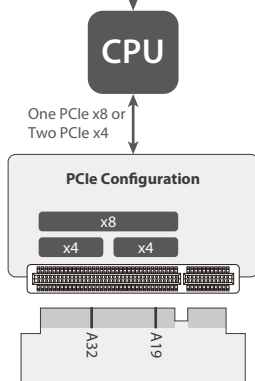


LED	State	Description
Link (Left)	Yellow <input type="checkbox"/>	Active
Speed (Right)	Green <input type="checkbox"/>	100Gbps data rate
	Orange <input type="checkbox"/>	other data rate

Hardware Installation



Install the IEI PuIM-100G2SF-E810 networking module into the slot of the PUZZLE-IN005. All slots support 8 lanes of PCIe gen4 signal from CPU (one PCIe x8 or two PCIe x4).

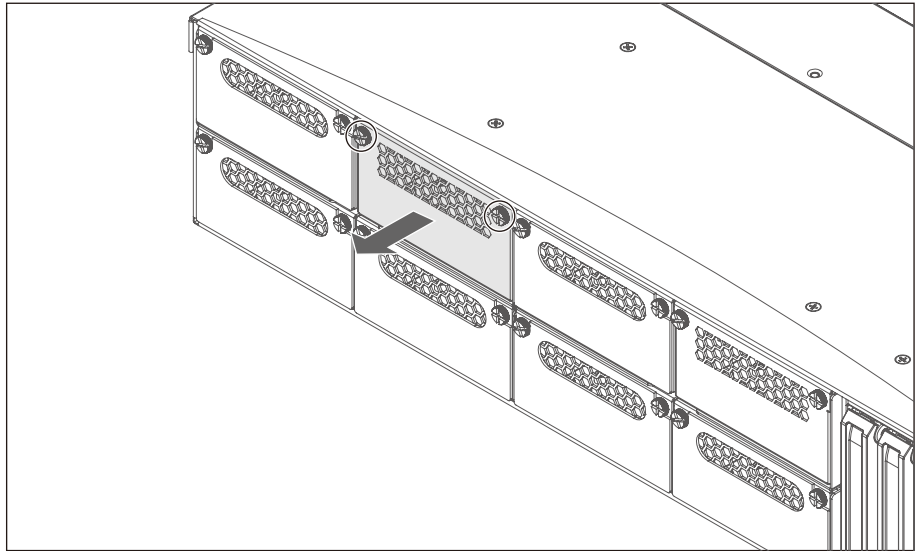


A19	A32	PCIe Config.
0	1	2x4
1	0	1x8

Networking Module Installation

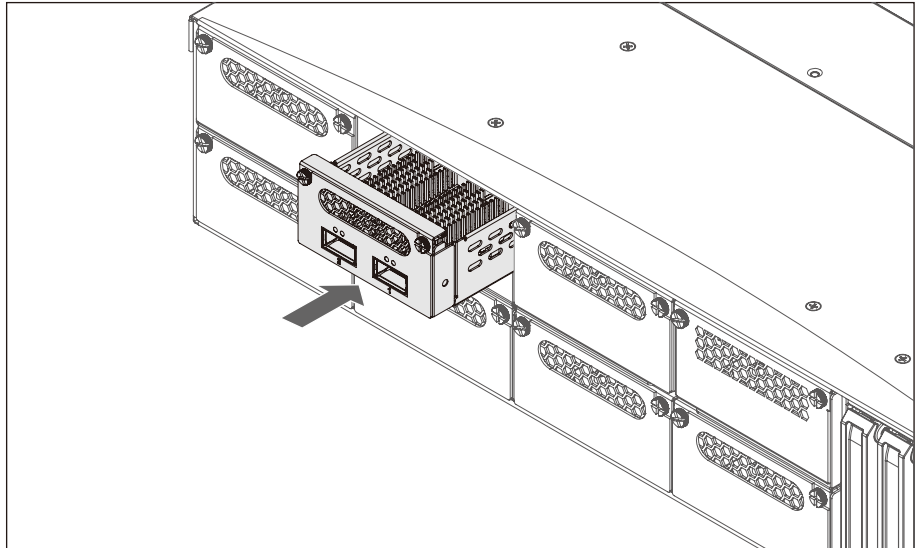
Step 1

Loosen the two screws indicated below. Grab the screws and pull the slot cover all the way out to remove it.



Step 2

Slide an IEI networking module into the slot until the module is seated in the slot correctly and securely. Fasten the two screws on the networking module to secure the module to the chassis.



CAUTION:

When inserting the module, the bottom of the networking module must be as close to the slot base as possible so that the module can be slid into the guide rails.

When removing the module, slide the module horizontally all the way until it is completely out of the system. Lifting up the module before completely sliding out may cause the components on the module to be damaged.



威強電工業電腦 IEI Integration Corp.

No. 29, Zhongxing Rd., Xizhi Dist., New Taipei City 221, Taiwan
TEL : +886-2-86916798 / +886-2-26902098 FAX : +886-2-66160028
sales@ieiworld.com www.ieiworld.com

