



LAN-100G2SF-E810

PCIe x16 card with two QSFP28

Quick Installation Guide

Version 1.00

Features

- 1 x Intel® E810 Ethernet controller
- Dual 100GbE QSFP28 connector
- PCIe 4.0 x16 interface
- RoHS compliant

Packing List

- 1 x LAN-100G2SF-E810
- 1 x QIG (Quick Installation Guide)

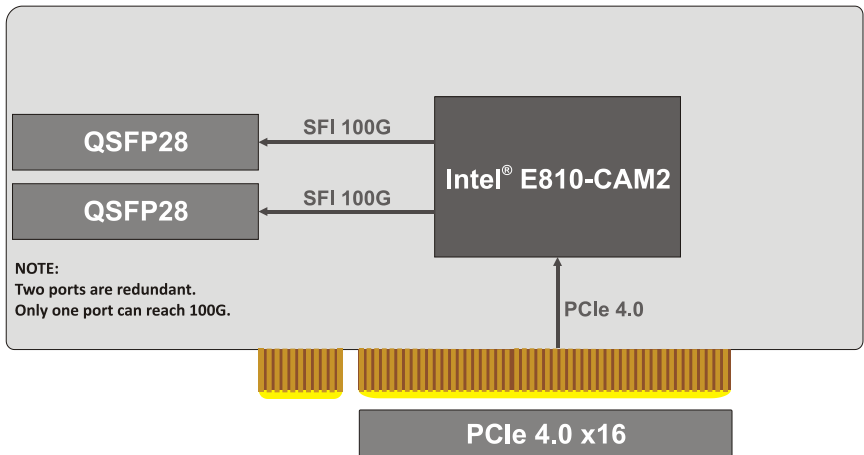
Specifications

Host Interface	PCIe 4.0 x16
NIC	Intel® Ethernet Controller E810-CAM2
External Connector	2 x QSFP28 connector
Speed	100 GbE
Operating Temperature	0°C ~ +40°C (+32°F ~ +104°F)
Storage Temperature	-20°C ~ +75°C (-4°F ~ +167°F)
Operating Humidity	5% ~ 90%, non-condensing
Dimensions	169.54 mm x 56.16 mm x 21.59 mm

Ordering Information

- LAN-100G2SF-E810:
Intel® Ethernet Controller E810-CAM2 based PCIe card with two QSFP28 by PCIe 4.0 x16 interface

Block Diagram



Connector Pinouts

QSFP28 Connectors			
Pin	Description	Pin	Description
1	GND (Module ground)	20	GND (Module ground)
2	TX2- (Transmitter inverted data input)	21	RX2- (Receiver inverted data output)
3	TX2+ (Transmitter noninverted data input)	22	RX2+ (Receiver noninverted data output)
4	GND (Module ground)	23	GND (Module ground)
5	TX4- (Transmitter inverted data input)	24	RX4- (Receiver inverted data output)
6	TX4+ (Transmitter noninverted data input)	25	RX4+ (Receiver noninverted data output)
7	GND (Module ground)	26	GND (Module ground)
8	MODSEIL (Module select)	27	ModPrsL (Module Present, internal pulled down to GND)
9	ResetL (Module reset)	28	IntL (Interrupt output, should be pulled up on host board)
10	VCCRx (+3.3V receiver power supply)	29	VCCTx (+3.3V transmitter power supply)
11	SCL (2-wire serial interface clock)	30	VCC1 (+3.3V power supply)
12	SDA (2-wire serial interface data)	31	LPMode (Low power mode)
13	GND (Module ground)	32	GND (Module ground)
14	RX3+ (Receiver noninverted data output)	33	TX3+ (Transmitter noninverted data input)
15	RX3- (Receiver inverted data output)	34	TX3- (Transmitter inverted data input)
16	GND (Module ground)	35	GND (Module ground)
17	RX1+ (Receiver noninverted data output)	36	TX1+ (Transmitter noninverted data input)
18	RX1- (Receiver inverted data output)	37	TX1- (Transmitter inverted data input)
19	GND (Module ground)	38	GND (Module ground)

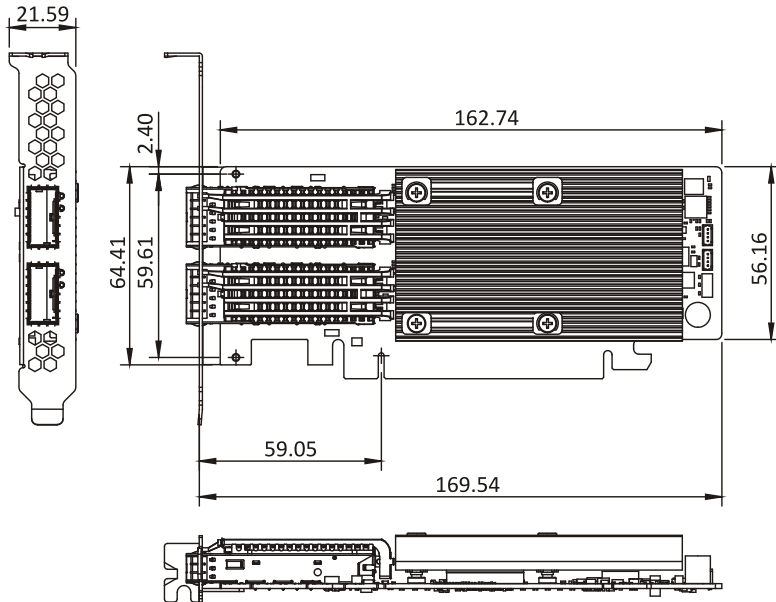
LAN LED	Description	LAN LED	Description
Speed (Left)	Green: 100Gbps data rate Orange: other data rate	Link (Right)	Yellow: Active

Installation


To install the LAN-100G2SF-E810, please follow the steps below.

1. Prepare the computer: Turn off the computer, and remove the power cord from the rear of the power supply. **WARNING: Disconnect the computer from the power supply and from any networks to which you will install the LAN-100G2SF-E810, or you risk damaging the system or experiencing electrical shock.**
2. Remove the cover from the chassis.
3. Locate available PCIe slots. The LAN-100G2SF-E810 is compatible with PCIe x16 slot. Remove a blank bracket panel on the back of the computer that aligns with the PCIe slot for installing the LAN-100G2SF-E810. Save the bracket screw.
4. Align the LAN-100G2SF-E810 to the PCIe slot. Press down gently, but firmly, to seat the LAN-100G2SF-E810 correctly in the slot. Install the bracket screw to secure it to the system's chassis.
5. Replace the cover of the chassis. Reconnect any power cords and any network cables to the system. Power up the system.

Dimensions (Unit: mm)



Safety Instructions

 Warning! To prevent the system from overheating, do not operate it in an area that exceeds the maximum operating temperature described in the user manual. Ultimate disposal of this product should be handled according to all national laws and regulations.

IEI Support URL

http://new.ieiworld.com/tw/online_support_form

Product Disposal



According to the requirement of the WEEE legislation the following user information is provided to customers for all branded IEI Electronics products subject to the WEEE directive.

This symbol on the product or on its packaging indicates that this product must not be disposed of with your other household waste. Instead, it is your responsibility to dispose of your waste equipment by handing it over to a designated collection point for the recycling of waste electrical and electronic equipment. The separate collection and recycling of your waste equipment at the time of disposal will help to conserve natural resources and ensure that it is recycled in a manner that protects human health and the environment. For more information about where you can drop off your waste equipment for recycling, please contact your local city office, your household waste disposal service or the shop where you purchased the product.

Headquarters

IEI Integration Corp.

No. 29, ZhongXing Rd., Xizhi Dist.,
New Taipei City 221, Taiwan
TEL: +886-2-8691-6798/+886-2-2690-2098
FAX: +886-2-6616-0028
sales@ieiworld.com
www.ieiworld.com

America

IEI Technology USA Corp.

138 University Parkway, Pomona,
CA 91768, USA
Tel: +1-909-595-2819
Fax: +1-909-595-2816
sales@usa.ieiworld.com
usa.ieiworld.com

China

IEI Integration (Shanghai) Corp.

No. 515, Shen Fu Rd., Xin Zhuang Industrial Develop Zone,
Shanghai, 201108, China
Tel: +86-21-3116-7799
Fax: +86-21-3462-7797
sales@ieiworld.com.cn
www.ieiworld.com.cn