

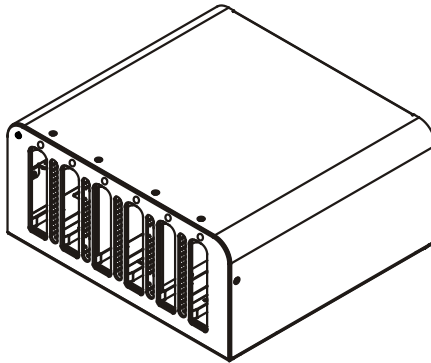


POCm-DOCKING-6BAY

Battery charging docking station
for the POCm series

Quick Installation Guide

Version 1.01



Package List

- 1 x POCm-DOCKING-6BAY battery charging docking station
- 1 x Power adapter
- 1 x Power cord

Safety Instructions

Warning! Read the installation guide before connecting the system to the power source.

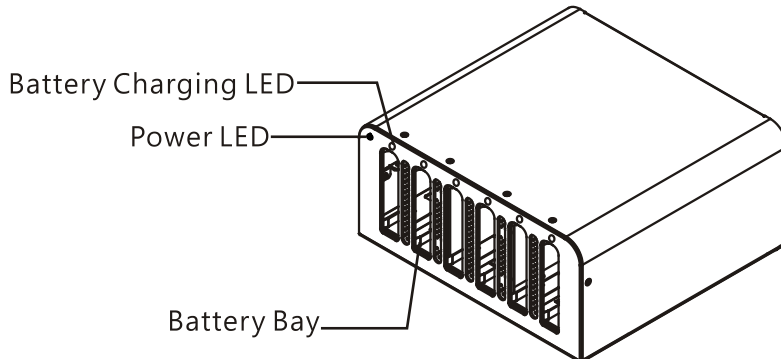
Warning! To prevent the device from overheating, do not operate it in an area that exceeds the maximum operating temperature described in this guide.

Warning! Ultimate disposal of this product should be handled according to all national laws and regulations.

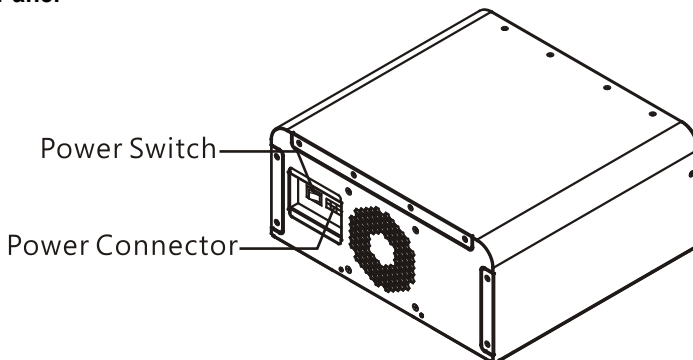
Overview

The POCM-DOCKING-6BAY is a 6-bay docking station designed for charging the batteries of the POCm-W22C/W24C-ULT3 series system.

Front Panel



Rear Panel



Specifications

Battery Bay	6
Battery	TC-202 (7800mAh) Maximum charge voltage: 12.6 V Maximum charge current: 2.2 A/ bay
Battery Charge Time	3~3.5 hours from 0 to 100% (TC-202)
Power Supply	255 W power adapter Vin=100 ~240 VAC, Vout=15 VDC
LED Indicators	1 x Power LED (orange) 6 x Battery LED (green/red)
Power Switch	AT power switch
Power Connector	6-pin Molex power connector
Thermal	One active fan - Without battery: 20% fan speed - With battery: 55% fan speed - Temperature $\geq 48^{\circ}\text{C}$: 70% fan speed
Color	White
Operating Temperature	0°C ~40°C (32°F~104°F)
Storage Temperature	-20°C ~60°C (-4°F~140°F)
Operating Humidity	20%~90%, non-condensing
Storage Humidity	10%~95%, non-condensing
Chassis Construction	NCT metal housing

Battery LED Indicator Behavior

Good Battery	Charging: solid red Fully charged: solid green
Weak Battery (FCC < 50%)	Charging: blinking orange Fully charged: solid orange
Error	Blinking red
No Battery or Non-IEI Battery	LED off

Battery Charging

To charge battery, follow the steps below:

Step 1: Connect the supplied power adapter to the power connector on the rear of the docking station.

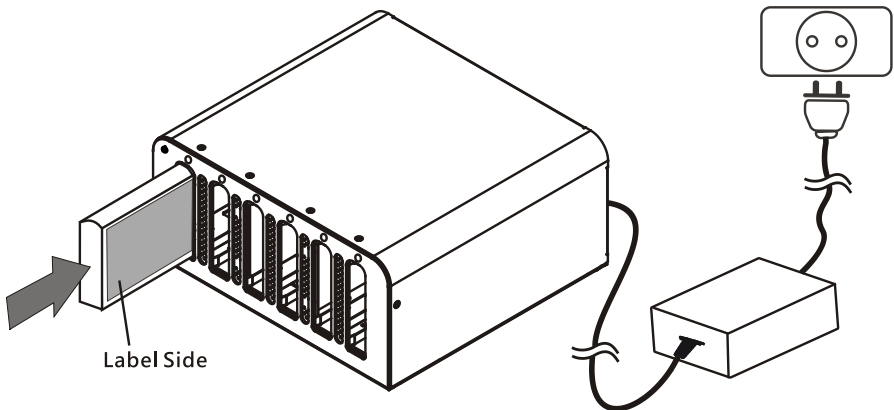
Step 2: Connect the supplied power cord to the power adapter. Plug the power cord into any standard power outlet.

Step 3: Turn on the docking station by using the power switch on the rear panel. The power LED on the front panel lights up in orange.

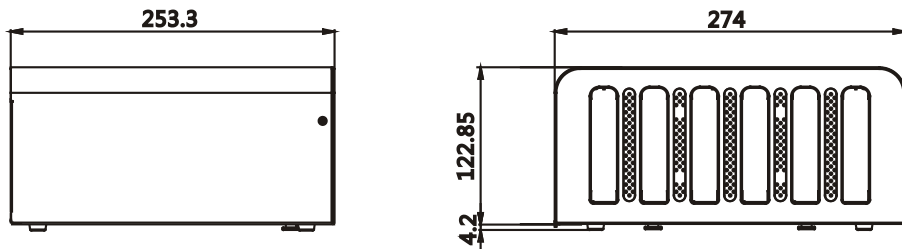
Step 4: Insert a battery into a battery bay as shown below. The LED indicator lights on in red indicating the battery is being charged. The LED will turn to green when the battery is fully charged.

Warning!

- Use only the power adapter approved for this device. Use of another type of adapter may risk fire or explosion;
 - Do not apply voltage levels that exceed the specified voltage range. Doing so may cause fire and/or an electrical shock. Use a power cord that matches the voltage of the power outlet, which has been approved and complies with the safety standard of your particular country.
-



Dimensions (Unit: mm)



IEI Support URL

http://new.ieiworld.com/tw/online_support_form

Compliance



This equipment has been tested and found to comply with specifications for CE marking. If the user modifies and/or installs other devices in the equipment, the CE conformity declaration may no longer apply.



This equipment complies with Part 15 of the FCC Rules. Operation is subject to the following two conditions:

- This device may not cause harmful interference, and
- This device must accept any interference received, including interference that may cause undesired operation.

This equipment has been tested and found to comply with the limits for a Class B digital device, pursuant to part 15 of the FCC Rules. These limits are designed to provide reasonable protection against harmful interference when the equipment is operated in a commercial environment. This equipment generates, uses, and can radiate radio frequency energy and, if not installed and used in accordance with the instruction manual, may cause harmful interference to radio communications. Operation of this equipment in a residential area is likely to cause harmful interference in which case the user will be required to correct the interference at his own expense.



According to the requirement of the WEEE legislation the following user information is provided to customers for all branded IEI Electronics products subject to the WEEE directive.

This symbol on the product or on its packaging indicates that this product must not be disposed of with your other household waste. Instead, it is your responsibility to dispose of your waste equipment by handing it over to a designated collection point for the recycling of waste electrical and electronic equipment. The separate collection and recycling of your waste equipment at the time of disposal will help to conserve natural resources and ensure that it is recycled in a manner that protects human health and the environment. For more information about where you can drop off your waste equipment for recycling, please contact your local city office, your household waste disposal service or the shop where you purchased the product.

Headquarters

威強電工業電腦股份有限公司
IEI Integration Corp.
22161 新北市汐止區中興路 29 號
No. 29, Zhongxing Rd., Xizhi Dist.,
New Taipei City 22161, Taiwan
TEL: +886-2-86916798/+886-2-26902098
FAX: +886-2-66160028
sales@ieiworld.com
www.ieiworld.com

America

IEI Technology USA Corp.
138 University Parkway, Pomona,
CA 91768, USA
Tel: +1-909-595-2819
Fax: +1-909-595-2816
sales@usa.ieiworld.com
usa.ieiworld.com

China

威強電工業電腦 IEI Integration (Shanghai) Corp.
上海市闵行区莘庄工业区申富路 515 号
No. 515, Shen Fu Rd., Xin Zhuang Industrial
Develop Zone, Shanghai, 201108, China
Tel: +86-21-3116-7799
Fax: +86-21-3462-7797
sales@ieiworld.com.cn
www.ieiworld.com.cn