

**USB 3.0 Monochrome Industrial Camera,
1/1.8" E2V EV76C560 CMOS,
1280x1024 Pixels, 60 FPS**

HSC-13M4-E

Quick Installation Guide

Version 1.00

March 2018

Package Content

HSC-13M4-E package includes the following items:

- 1 x HSC-13M4-E industrial camera
- 1 x Mounting bracket
- 1 x CS to C mount adapter
- 1 x Quick installation guide

* IEI provides the USB 3.0 cable and HSC extension cable that can be purchased separately. Please contact the IEI reseller or vendor, or an IEI sales representative to purchase the optional items.

* The IEI Vision allows configuration of the HSC-13M4-E via a computer. Please visit the IEI website to download the IEI Vision setup file.

* The quick installation guide provides brief introduction of the product. For detailed information and installation, please refer to the user manual which can be downloaded from the IEI website.



Copyright © 2018 IEI Integration Corp.
All rights reserved.

Specifications

- **CAMERA**

Resolution (Max.): 1280 x 1024

Frame Rate (Max.): 60 fps

Chroma: Mono

Sensor Format: 1/2"

Lens Mount: CS-mount

Opto-isolated I/O Ports: One input, one output

Serial Port: One (RS-232)

Auxiliary Output: 5 V, 100 mA max.

Interface: USB 3.0 (Micro B)

- **SYSTEM REQUIREMENTS**

OS Environment: Microsoft® Windows® 7 / 8.1 / 10 (32-bit & 64-bit)

- **OTHERS**

Dimensions: 29mm x 29 mm x 57 mm

Weight: 85 g

Operating Temperature: 0°C ~ 50°C

Storage Temperature: -30°C ~ 60°C

Operating Humidity: 20% ~ 80%

Storage Humidity: 30% ~ 95%

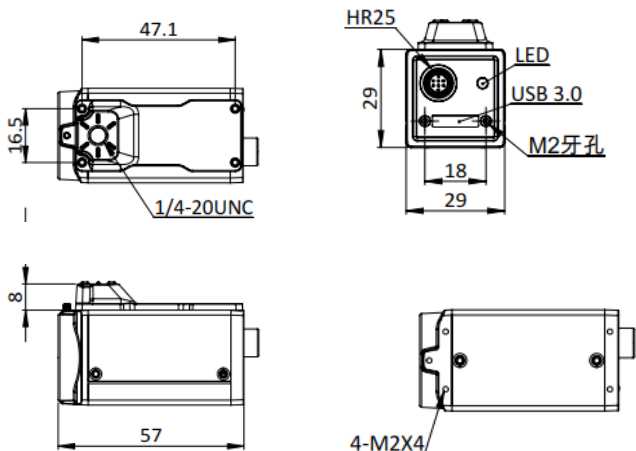
Power Requirements: 5 V via USB 3.0

6V ~ 18V via Opto-isolated input

Power Consumption (Max.): < 3.5 W

Compliance: CE, FCC

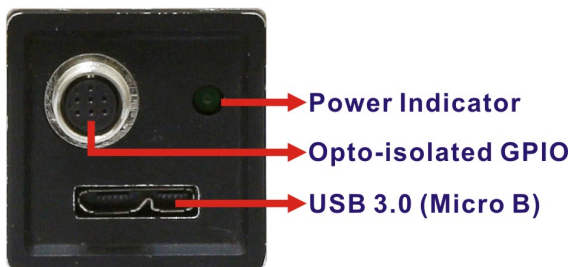
Dimensions (Unit: mm)



External Overview

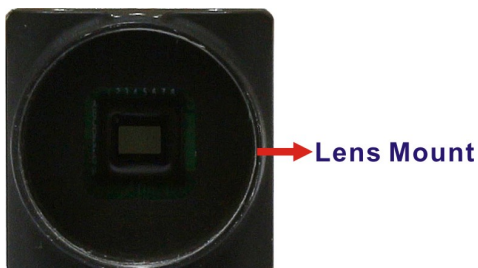
- **Rear Panel**

An overview of the rear panel is shown below:



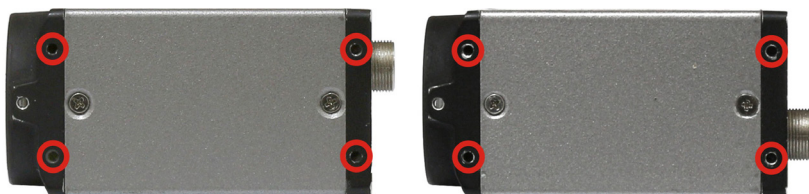
- **Front Panel**

The front side of the HSC-13M4-E has a lens mount for attaching a CS-mount lens.



- **Top and Bottom Surfaces**

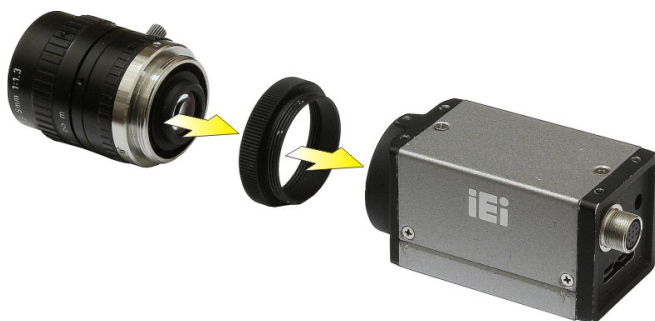
Both the top and bottom surfaces of the HSC-13M4-E contain four retention screw holes for installing the supplied mounting bracket.



Installing a C-Mount Camera Lens

To install a C-mount camera lens to the HSC-13M4-E, please follow the steps below:

- Step 1:** Attach the supplied CS to C mount adapter to the lens mount of the HSC-13M4-E. Then, spin the adapter clockwise until it is secure to the HSC-13M4-E.
- Step 2:** Attach the C-mount camera lens to the CS to C mount adapter. Then, spin the lens clockwise until it is secure to the adapter.



Mounting the HSC-13M4-E with Mounting Bracket

- Step 1:** Attach the mounting bracket to the bottom or top surface of the HSC-13M4-E. Secure the bracket to the HSC-13M4-E with the four supplied retention screws.



- Step 2:** Mount the HSC-13M4-E to an object with corresponding mounting screw, for example, a tripod. Align the threaded hole on the mounting bracket with the mounting screw, place the HSC-13M4-E over the object, and then spin the HSC-13M4-E until it is secure to the object.