



SACF-KIT01

SATA to CF Type II Converter Board

SATA to CF Type II 轉接卡

Quick Installation Guide/快速安裝指南

Version 1.01

March 08, 2017

Features / 產品特色

- Support 50-pin CF Type II card
支援 CF Type II 卡
- Compliance with SATA 1.5Gb/s, SATA 3Gb/s and SATA 6Gb/s
與 SATA 1.5Gb/s、SATA 3Gb/s、SATA 6Gb/s 相容
- Wide operating temperature - 0°C ~ 60°C
支援寬溫操作範圍 - 0°C ~ 60°C

Packing List / 內容清單

- 1 x SACF-KIT01 converter board / SACF-KIT01 轉接卡
- 1 x SATA cable with power cable / SATA+ 電源連接線
- 1 x QIG (Quick Installation Guide) / 快速安裝指南

Specifications / 規格

Connectors	1 x CF Type II socket 1 x SATA connector
SATA	Compliance to SATA 1.5Gb/s, 3Gb/s and 6Gb/s Support SATA hot plug
Operating Temperature	0°C ~ 60°C
Operating Humidity	10% ~ 95%, non-condensing
Dimensions (LxW)	58.42 mm x 68.96 mm

Ordering Information / 訂購資料

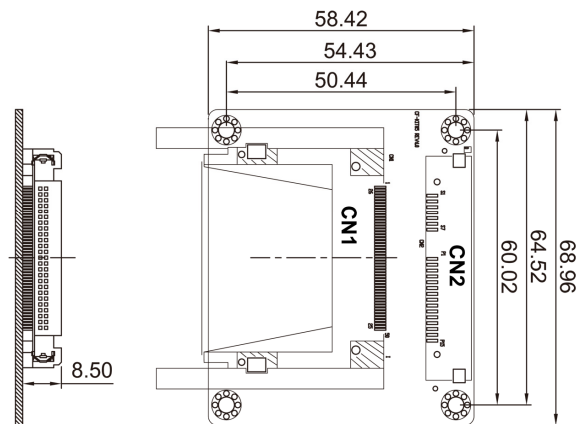
- SACF-KIT01-R10:
SATA to 50-pin CF socket converter board

Connector Pinouts / 連接器腳位定義


CN2: SATA connector (7+15 pins)			
Pin	Description	Pin	Description
S1	GND	P1	N/C
S2	TX+	P2	N/C
S3	TX-	P3	N/C
S4	GND	P4	N/C
S5	RX+	P5	N/C
S6	RX-	P6	N/C
S7	GND	P7	5V
		P8	5V
		P9	5V
		P10	GND
		P11	GND
		P12	GND
		P13	12V
		P14	12V
		P15	12V


CN1: CF Type II Socket			
Pin	Description	Pin	Description
1	GND	26	CD1#
2	D3	27	D11
3	D4	28	D12
4	D5	29	D13
5	D6	30	D14
6	D7	31	D15
7	CE#	32	CE2#
8	A10	33	VS1#
9	OE#	34	IOR#
10	A9	35	IOW#
11	A8	36	WE#
12	A7	37	IRQ
13	VCC	38	VCC
14	A6	39	CSEL#
15	A5	40	VS2#
16	A4	41	RESET#
17	A3	42	WAIT#
18	A2	43	INPACK#
19	A1	44	REG#
20	A0	45	BVD2
21	D0	46	BVD1
22	D1	47	D8
23	D2	48	D9
24	IOCS16#	49	D10
25	CD2#	50	GND2

Dimensions / 尺寸 (Unit: mm)



Safety Instructions / 安全守則

 Warning! To prevent the system from overheating, do not operate it in an area that exceeds the maximum operating temperature described in the user manual. Ultimate disposal of this product should be handled according to all national laws and regulations.

 警告！為防止系統過熱，不要在使用手冊上記載的產品工作溫度範圍之外操作此系統。本產品的廢棄處理應根據該國家的法律和規章進行。

IEI Support URL / IEI 線上諮詢

http://new.ieiworld.com/tw/online_support_form

Compliance / 安規



This equipment has been tested and found to comply with specifications for CE marking. If the user modifies and/or installs other devices in the equipment, the CE conformity declaration may no longer apply.



This equipment complies with Part 15 of the FCC Rules. Operation is subject to the following two conditions:

- This device may not cause harmful interference, and
- This device must accept any interference received, including interference that may cause undesired operation.

This equipment has been tested and found to comply with the limits for a Class A digital device, pursuant to part 15 of the FCC Rules. These limits are designed to provide reasonable protection against harmful interference when the equipment is operated in a commercial environment. This equipment generates, uses, and can radiate radio frequency energy and, if not installed and used in accordance with the instruction manual, may cause harmful interference to radio communications. Operation of this equipment in a residential area is likely to cause harmful interference in which case the user will be required to correct the interference at his own expense.



According to the requirement of the WEEE legislation the following user information is provided to customers for all branded IEI Electronics products subject to the WEEE directive.

This symbol on the product or on its packaging indicates that this product must not be disposed of with your other household waste. Instead, it is your responsibility to dispose of your waste equipment by handing it over to a designated collection point for the recycling of waste electrical and electronic equipment. The separate collection and recycling of your waste equipment at the time of disposal will help to conserve natural resources and ensure that it is recycled in a manner that protects human health and the environment. For more information about where you can drop off your waste equipment for recycling, please contact your local city office, your household waste disposal service or the shop where you purchased the product.

Headquarters

威強電工業電腦 IEI Integration Corp.
No. 29, ZhongXing Rd., Xizhi Dist.,
New Taipei City 221, Taiwan
TEL: +886-2-8691-6798/+886-2-2690-2098
FAX: +886-2-6616-0028
sales@ieiworld.com
www.ieiworld.com

America

IEI Technology USA Corp.
138 University Parkway, Pomona,
CA 91768, USA
Tel: +1-909-595-2819
Fax: +1-909-595-2816
sales@usa.ieiworld.com
usa.ieiworld.com

China

威強電工業電腦 IEI Integration (Shanghai) Corp.
上海市闵行莘庄工业区申富路515号
No. 515, Shen Fu Rd., Xin Zhuang Industrial Develop Zone,
Shanghai, 201108, China
Tel: +86-21-3116-7799
Fax: +86-21-3462-7797
sales@ieiworld.com.cn
www.ieiworld.com.cn