



HTDB-100F HTDB-100FM

Handheld 1D/2D Barcode Reader

手持式一維/二維影像讀碼器

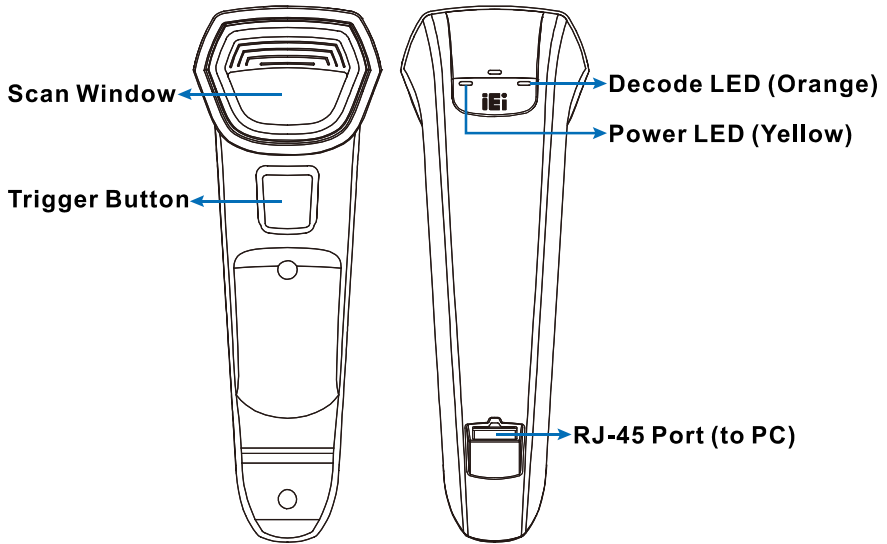
Quick Installation Guide/快速安裝指南

Version 1.00

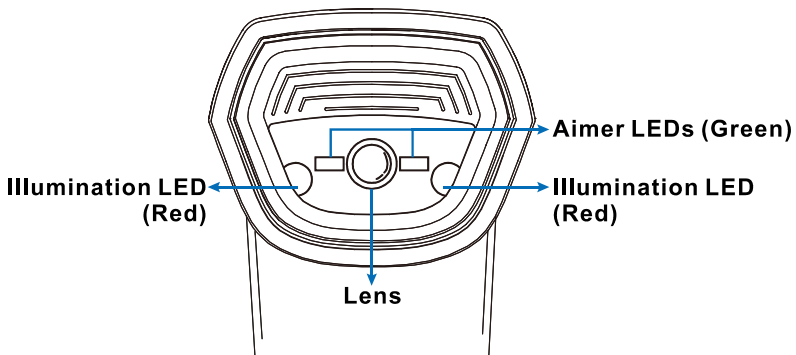
Packing List / 內容清單

- 1 x Handheld 1D/2D barcode reader / 手持式一維/二維影像讀碼器
- 1 x RJ-45 to USB cable / RJ-45 轉 USB 連接線
- 1 x QIG (Quick Installation Guide) / 快速安裝指南

External Overview



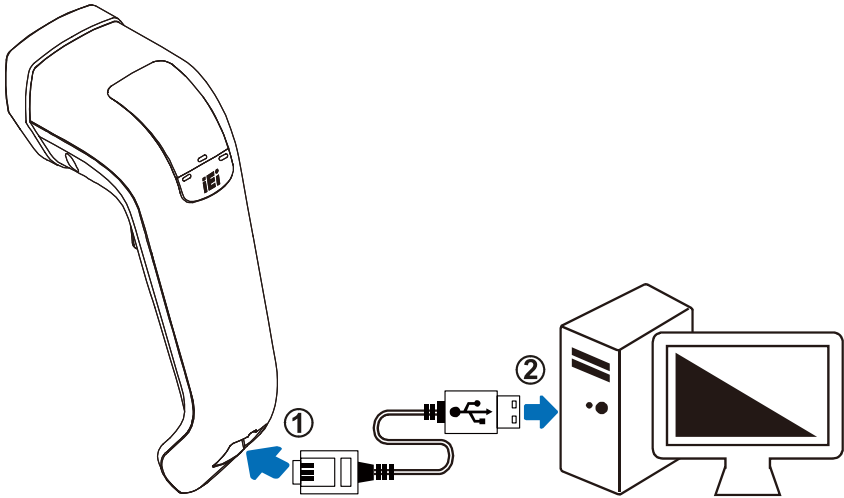
Scan Window



WARNING! This product complies with International Standard ICE/EN 62471. The users should follow the cautionary instructions below:

- DO NOT stare at the LED or shine the LED into your eyes or those of another person.
 - DO NOT allow children to use the product without adult supervision.
 - DO NOT try to replace or repair the LED. These components are not user replaceable.
 - DO NOT shine the LED on a reflective surface.
-

Using the Handheld Barcode Reader



1. Connect the RJ-45 connector of the supplied RJ-45 to USB cable to the RJ-45 port on the HTDB-100F/100FM. Ensure to push the connector to the end until the user hears a “click”.
2. Connect the USB Standard Type A connector of the cable to the USB Type A receptacle of a computer.

Once the HTDB-100F/100FM is connected to the computer, a beep should be generated after about four seconds and the power LED (yellow) turns on, indicating that the barcode reader is fed with power.

NOTE: The HTDB-100F/100FM will enter the backup mode if the user keeps pressing the trigger button and connects the HTDB-100F/100FM to the computer. To exit the backup mode, please reconnect the RJ-45 to USB cable. When the HTDB-100F/100FM cannot function normally or be connected to the IEI HTDB UTILITY, the user can use the backup mode to connect the HTDB-100F/100FM to the utility and update the device firmware. Then, the barcode reader can be operated normally. For firmware update procedures, please refer to Chapter 3 in the user manual.

3. The HTDB-100F/100FM is a plug and play barcode reader that allows the user to scan barcodes instantly after connecting to a computer. Open a text editor, such as Notepad or Word, then present a barcode to the HTDB-100F/100FM and press the trigger button. The HTDB-100F/100FM projects a green scan line. Please aim the green scan line to the barcode within the reading distance (refer to Chapter 2 in the user manual for the reading distance of each barcode type).

When a barcode is decoded successfully, the HTDB-100F/100FM generates a beep and the decode LED (orange) flashes once. The decoded barcode data is also displayed in the text editor.

In addition, the behavior of the buzzer and decode LED for a successful decode can be changed. Please refer to Chapter 4 in the user manual to set up the indicator mode.

NOTE: The factory default of supported barcode type includes: Codabar, Interleaved 2 of 5, Code 128, Code 93, Code 39, MSI, UPC/EAN, Data Matrix and QR Code. To scan the barcodes other than the factory default settings, please enable the barcode type manually.

Configuring the Handheld Barcode Reader

There are two ways to configure the HTDB-100F/100FM:

1. Scanning the barcode symbols listed in Chapter 4 of the user manual
2. Using the IEI HTDB UTILITY (supported OS: Microsoft® Windows® 7/8.1/10 32/64-bit)

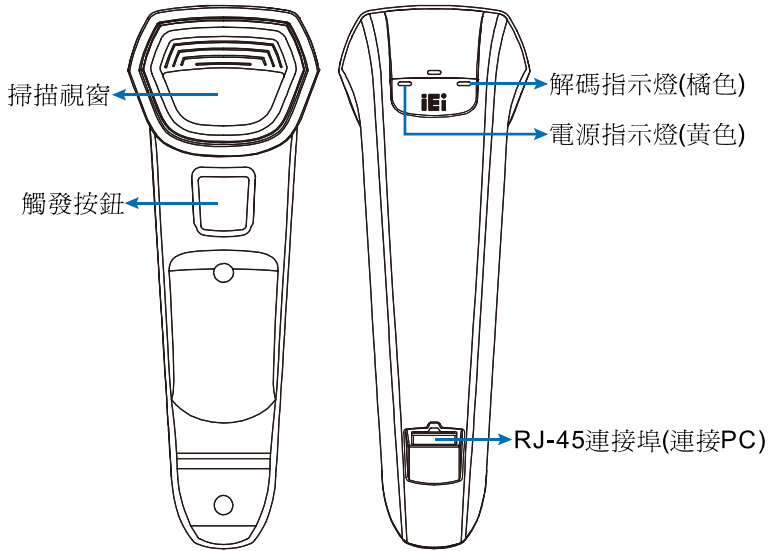
Via the IEI HTDB UTILITY, the user can see the setting parameters of the barcode reader, configure the supported barcode types, restore all settings to factory default, check the firmware version and upgrade the device firmware to the latest version.

For detailed information, please refer to the user manual that can be downloaded from the IEI website (<http://www.ieiworld.com>).

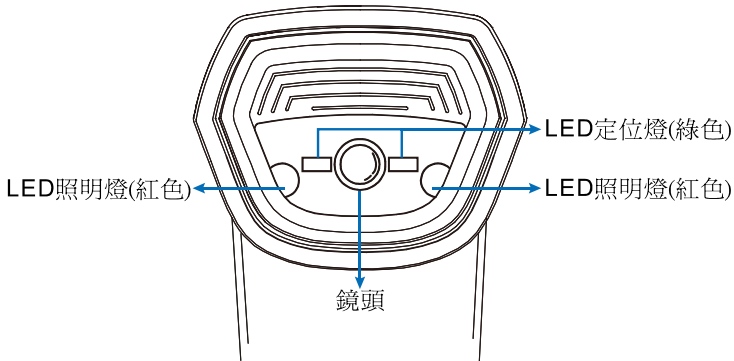
NOTE: To restore all configuration settings to factory default, please

- scan the **Restore Defaults** barcode in **Section 4.1.1** of the user manual, or
 - click **Setting** → **Factory Reset** from the IEI HTDB UTILITY
-

外觀



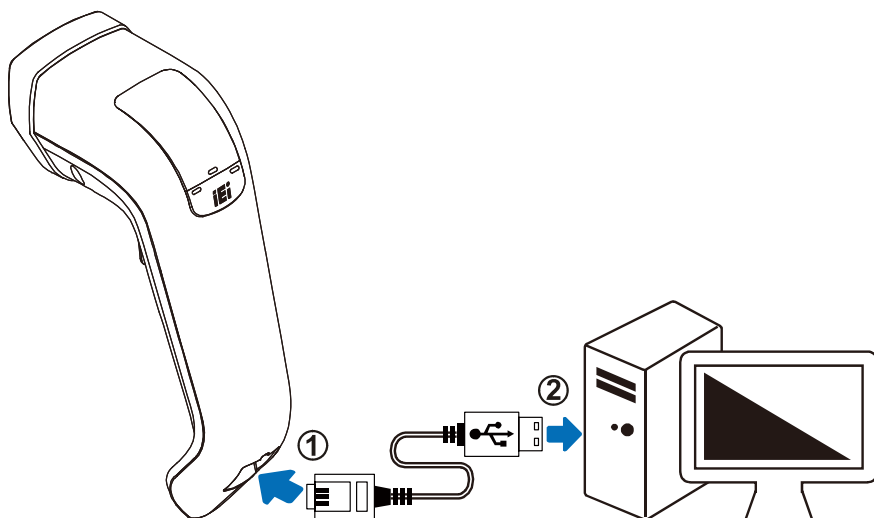
掃描視窗



警告！ 本產品符合國際標準 ICE/EN 62471，使用者請遵循下方的警告指示：

- 請勿直視 LED 光束，或是將 LED 光束照射自己或他人的眼睛。
- 請不要讓小孩在沒有成人的監督下使用此產品。
- 請勿嘗試更換或修復 LED，這些元件並非使用者可自行更換的。
- 請勿將 LED 照到會反射的表面。

使用影像讀碼器



1. 將隨附的 RJ-45 轉 USB 連接線上的 RJ-45 接頭連接至讀碼器的 RJ-45 連接埠。接頭連接上時，請推至底部卡緊，需聽到喀一聲才算安裝成功。
2. 將 RJ-45 轉 USB 連接線的另一端(USB Standard Type A)接到電腦的 USB Type A 連接埠。
一旦讀碼器接上電腦，約四秒後會發出嗶聲，電源指示燈也會亮起(黃色)，表示讀碼器已通電。

注意：持續按住觸發按鈕並接上電腦，會使得讀碼器進入 Backup 模式。欲退出此模式，請重新插拔 RJ-45 轉 USB 連接線即可恢復。

讀碼器無法正常使用或是應用程式無法連線讀碼器時，可進入 Backup 模式將應用程式連線讀碼器，然後進行韌體更新，即可正常使用。關於韌體更新操作方式，請參考使用手冊第 3 章。

3. HTDB-100F/100FM 為一個隨插即用的影像讀碼器，連接後即可立即使用。首先，開啟電腦中的文字編輯軟體(如記事本、Word)，然後將讀碼器的掃描視窗對準條碼，並按下觸發按鈕。讀碼器會投射綠色掃描線，請將綠色掃描線對準欲掃描的條碼並維持一定的讀取距離，即可進行解碼(各條碼種類的讀取距離請參考使用手冊第 2 章)

當條碼解碼成功，讀碼器會發出嗶聲，解碼指示燈(橘色)也會閃爍一次。所解碼的文字將會顯示在文字編輯軟體上。

此外，使用者可以修改成功解碼時的嗶聲及解碼指示燈反應模式。請參考使用手冊第 4 章以設定指示燈號及嗶聲。

注意：出廠時預設支援的條碼類型包含：Codabar、Interleaved 2 of 5、Code 128、Code 93、Code 39、MSI、UPC/EAN、Data Matrix、QR Code。使用者如需掃描其他條碼類型，請將需使用到的條碼類型手動設定為開啟才能使用。

設定影像讀碼器

使用者可透過以下兩種方式設定此裝置：

1. 直接使用讀碼器掃描使用手冊第 4 章對應的條碼。
2. 使用 IEI HTDB UTILITY 應用程式(支援 Microsoft® Windows® 7/8.1/10 32/64-bit 作業系統)。於此應用程式，使用者可以觀看條碼機設定的參數值、修改支援的條碼類型、恢復原廠預設值、檢視目前的韌體版本並進行更新。

請至IEI官網 (<http://www.ieiworld.com>) 下載使用手冊，以瞭解詳細使用方法。

注意：如需將所有設定恢復至原廠預設值，請

- 直接使用讀碼器掃描使用手冊第 4.1.1 章的**回復出廠預設值**條碼，或是
 - 使用 IEI HTDB UTILITY 應用程式，點選 **Setting → Factory Reset**。
-

Safety Instructions / 安全守則



Warning! Read the user manual before connecting the system to the power source.

警告! 在將系統連接到電源之前，請仔細閱讀使用手冊。

Warning! To prevent the system from overheating, do not operate it in an area that exceeds the maximum operating temperature described in the user manual.

警告! 為防止系統過熱，不要在使用手冊上記載的產品工作溫度範圍之外操作此系統。

Warning! Ultimate disposal of this product should be handled according to all national laws and regulations.

警告! 本產品的廢棄處理應根據該國家的法律和規章進行。

Support / 支援



IEI Support URL / IEI 線上諮詢

http://new.ieiworld.com/tw/online_support_form

Utility & Manual Download / 軟體與使用手冊下載

Go to <http://www.ieiworld.com>. Click "Support" → "Download".

請連結至 <http://www.ieiworld.com>，點選「客戶支援」→「線上資源」

Compliance / 安規



This equipment has been tested and found to comply with specifications for CE marking. If the user modifies and/or installs other devices in the equipment, the CE conformity declaration may no longer apply.



This equipment complies with Part 15 of the FCC Rules. Operation is subject to the following two conditions:

- This device may not cause harmful interference, and
- This device must accept any interference received, including interference that may cause undesired operation.

This equipment has been tested and found to comply with the limits for a Class B digital device, pursuant to part 15 of the FCC Rules. These limits are designed to provide reasonable protection against harmful interference when the equipment is operated in a commercial environment. This equipment generates, uses, and can radiate radio frequency energy and, if not installed and used in accordance with the instruction manual, may cause harmful interference to radio communications. Operation of this equipment in a residential area is likely to cause harmful interference in which case the user will be required to correct the interference at his own expense.

Federal Communication Commission Interference Statement

This equipment complies with Part 18 of the FCC Rules.

This equipment generates, uses and can radiate radio frequency energy and, if not installed and used in accordance with the instructions, may cause harmful interference to radio communications. However, there is no guarantee that interference will not occur in a particular installation. If this equipment does cause harmful interference to radio or television reception, which can be determined by turning the equipment off and on, the user is encouraged to try to correct the interference by one or more of the following measures:

- Reorient or relocate the receiving antenna
- Increase the separation between the equipment and receiver.
- Connect the equipment into an outlet on a circuit different from that to which the receiver is connected.



According to the requirement of the WEEE legislation the following user information is provided to customers for all branded IEI Electronics products subject to the WEEE directive.

This symbol on the product or on its packaging indicates that this product must not be disposed of with your other household waste. Instead, it is your responsibility to dispose of your waste equipment by handing it over to a designated collection point for the recycling of waste electrical and electronic equipment. The separate collection and recycling of your waste equipment at the time of disposal will help to conserve natural resources and ensure that it is recycled in a manner that protects human health and the environment. For more information about where you can drop off your waste equipment for recycling, please contact your local city office, your household waste disposal service or the shop where you purchased the product.

Headquarters

威強電工業電腦 IEI Integration Corp.
No. 29, ZhongXing Rd., Xizhi Dist.,
New Taipei City 221, Taiwan
TEL: +886-2-8691-6798/+886-2-2690-2098
FAX: +886-2-6616-0028
sales@ieiworld.com
www.ieiworld.com

America

IEI Technology USA Corp.
138 University Parkway, Pomona,
CA 91768, USA
Tel:+1-909-595-2819
Fax:+1-909-595-2816
sales@usa.ieiworld.com
usa.ieiworld.com

China

威強電工業電腦 IEI Integration (Shanghai) Corp.
上海市闵行莘庄工业区申富路 515 号
No. 515, Shen Fu Rd., Xin Zhuang Industrial Develop Zone,
Shanghai, 201108, China
Tel:+86-21-3116-7799
Fax:+86-21-3462-7797
sales@ieiworld.com.cn
www.ieiworld.com.cn