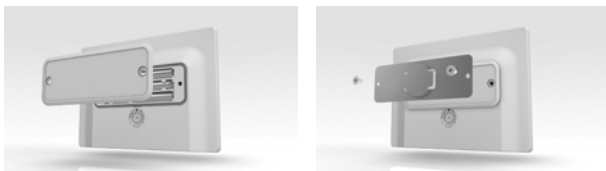
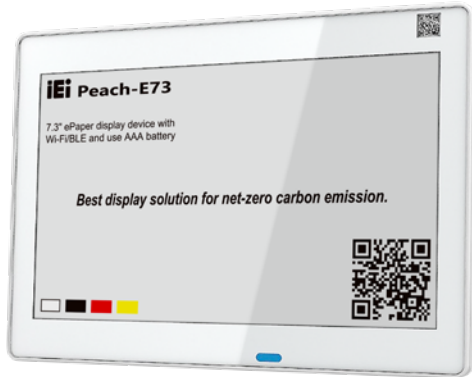


# Peach-E73

The Green Way to Communicate



## Features

- 7.13" 800 x 480 ePaper display
- Red / yellow / white / black 4 image colors
- Red / blue 2 colors LED
- IEEE 802.11b/g/n (2.4 GHz WiFi) / Bluetooth® 5 (LE)
- AAA x 6 batteries design to reduce waste batteries
- USB-C connector for power supply and image transfer
- Circular key block with clear markings to reduce the complexity of an operation
- Smooth curved body design is more convenient for cleaning and disinfection needs
- PMMA + PC cover lens with AG surface treatment for scratch resistance and impact resistance cover lens also reduce the influence of ambient light reflection

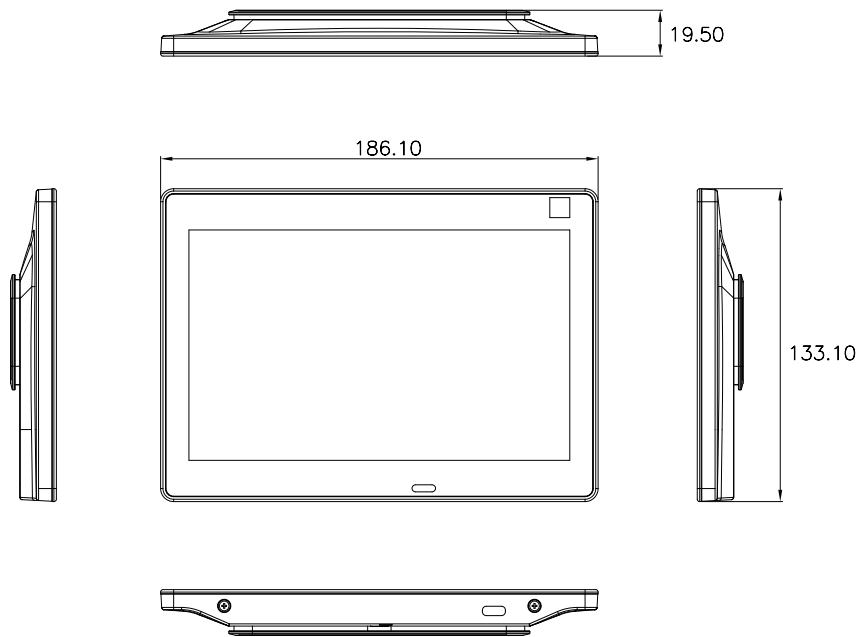


## Specifications

Model	Peach-E73
Active area	7.3"
Resolution	800 x 480
Display type	Electro-Phoretic Display (EPD)
Dimension	186.1(L) x 133.1(W) x 19.5(D)
Wireless	IEEE 802.11b/g/n (2.4 GHz WiFi) / Bluetooth® 5 (LE)
Connector	USB Type-C
LED	2 colors
Keys	Power / BLE / Reset
Battery	AAA x 6
Colors	BWRY
Image update time (25°C typ)	18 sec
Best optic temperature range	15°C ~ 35°C
Storage temperature	-20°C ~ 60°C

The Peach-E73 ePaper display is a low-power information display solution that represents a new generation of environmentally friendly products designed to replace printed paper. It is equipped with Peach-E73 communication that allows the display content to be synchronously updated. The embedded Wi-Fi and BLE 5.0 protocol offers excellent signal penetration for wireless transmissions. With its minimal power consumption, the Peach-E73 ePaper display is ideal for IoT applications such as factory storage, hospital ward cards, and museum art sign.

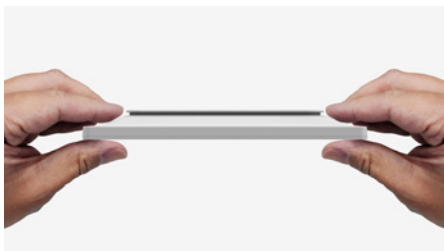
**Peach-E73 Dimensions (Unit: mm)**



**Supports slide rail bracket installation**



**Thin design, comfortable installation touch.**



**Ordering Information**

Part No.	Description
Peach-E73	7.3" BWRY ePaper display device with Wi-Fi/BLE and use AAA battery x 6