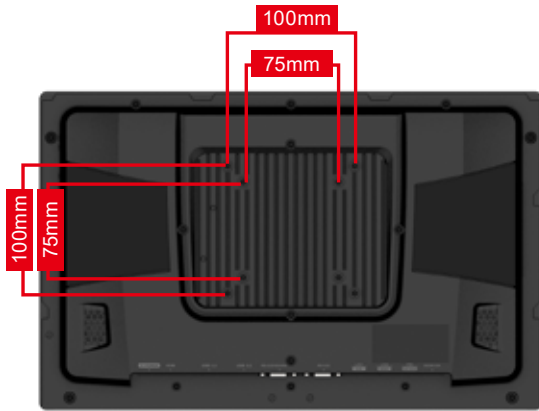


IEI Quick Mounting Technology



Compliant with VESA Mounting Standards

IEI panel solutions have four mounting holes compliant with the VESA (Video Electronics Standards Association) mounting standard (75mm x 75mm/100mm x 100mm) on the rear panel for stand mounting and other mounting methods.

» Stand Mounting

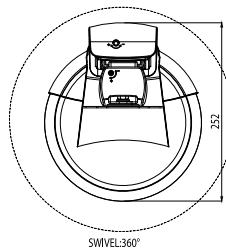
• VESA 75/100 Universal Stand



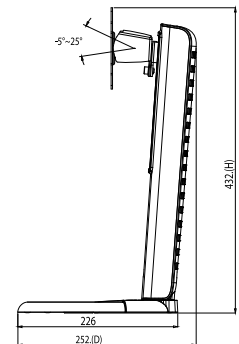
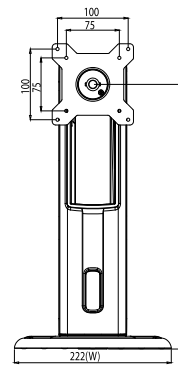
STAND-A21-R10



STAND-A21W-R10



SWIVEL:360°



Portrait/Landscape



Height Adjustment (13 cm)



Right/Left Pan (360°)



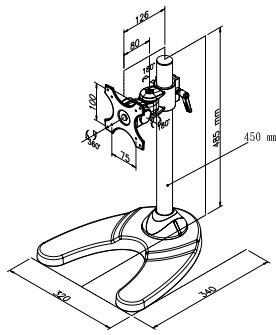
Forward/Backward Tilt (+25°/-5°)

Ordering Information

| Part No. | Description |
|----------------|---|
| STAND-A21-R10 | 15"~21" VESA 75x75 mm/100x100 mm PPC/Monitor Stand, support from 6 KG to 12 KG, Black color, RoHS |
| STAND-A21W-R10 | 15"~21" VESA 75x75 mm/100x100 mm PPC/Monitor Stand, support from 6 KG to 12 KG, White color, RoHS |



STAND-210



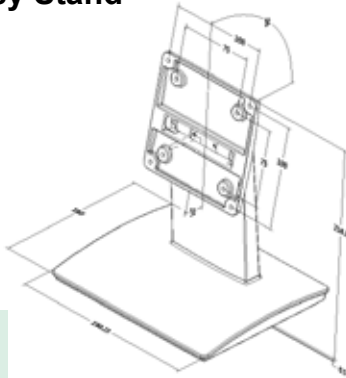
Ordering Information

| Part No. | Description |
|---------------|---|
| STAND-210-R11 | <ul style="list-style-type: none"> • Support VESA 75/100 standard • Weight capacity from 7kg~10kg |

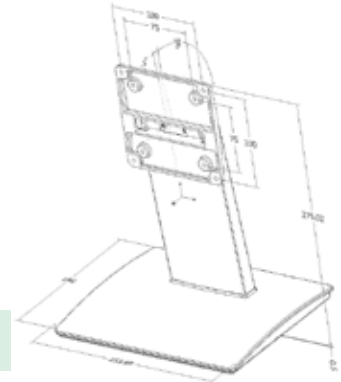
• VESA 75/100 Easy Stand



STAND-C12-R10



STAND-C19-R10



Tilt Forward/Backward

Ordering Information

| Part No. | Description |
|---------------|--|
| STAND-C12-R10 | 5.7"~12.1" VESA 100x100mm, 75x75mm PPC/Monitor Stand, support up to 7.5kg, Black color, RoHS |
| STAND-C19-R10 | 15"~24" VESA 100x100mm, 75x75mm PPC/Monitor Stand, support up to 15kg, Black color, RoHS |

DIN Rail Kit

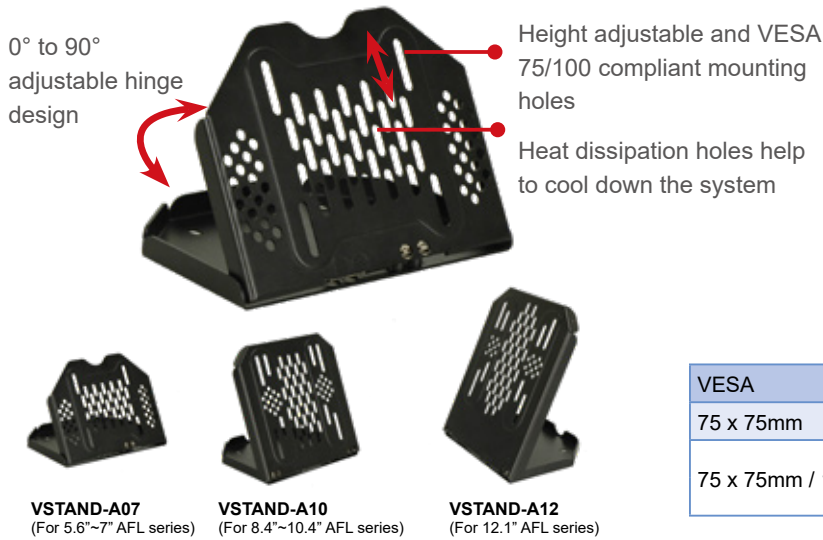


| | | |
|---------------|-------------------------|--------------------------|
| Model Name | DK-75-R10 | DK-100-R10 |
| Specification | 850 mm (W) x 75mm (D) | 110 mm (W) x 100 mm (D) |
| Description | VESA 75 to DIN-rail kit | VESA 100 to DIN-rail kit |

» V-STAND

VESA Multi-Mounting Stand

IEI patented multi-mounting V-Stand allows wall, ceiling, desk, rear and side mounting to meet diverse applications. Its 0° to 90° adjustable hinge design provides optimal viewing in various environments, such as kitchen, room or shelf.

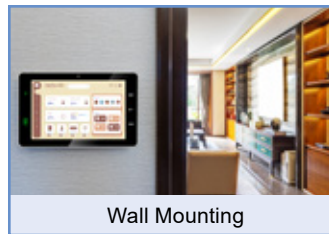


- Features:**
- 0° to 90° adjustable hinge design allows comfortable viewing
 - Standard VESA 75/100 compliance
 - Heat dissipation holes
 - Compact size, easy to use for mounting anywhere

| VESA | Model |
|-------------------------|----------------|
| 75 x 75mm | VSTAND-A07-R11 |
| 75 x 75mm / 100 x 100mm | VSTAND-A10-R11 |
| | VSTAND-A12-R11 |

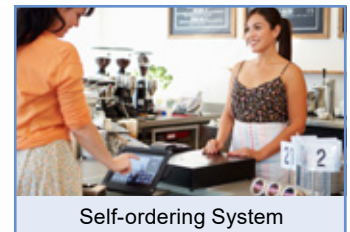
A. One fits all solution

The V-Stand is a compact and tilt adjustable mounting stand providing mobility and ergonomic comfort to fit common wall mounting and ceiling mounting situations.



B. 0° to 90° excellent adjustability

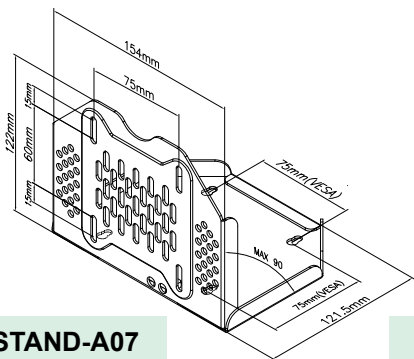
You can change the angle of the stand from 0° to 90° to reach almost any point with ergonomic features for comfortable viewing.



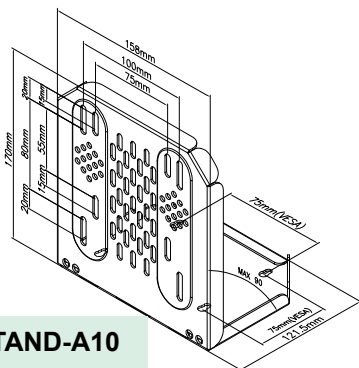
C. Space saving and easy installation

Compact size provides mobility

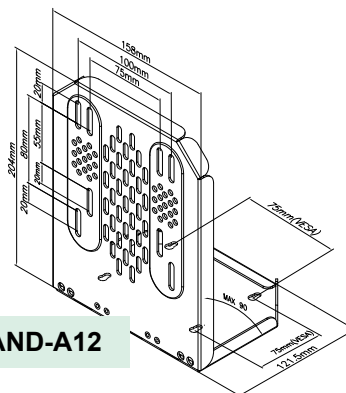




VSTAND-A07



VSTAND-A10



VSTAND-A12

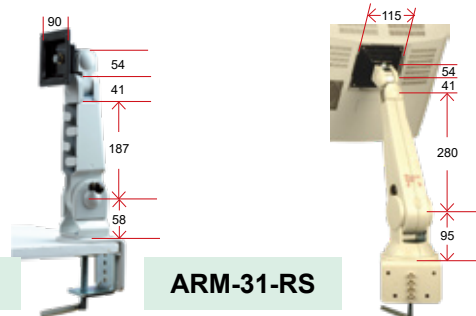
Ordering Information

| Part No. | Description |
|----------------|--|
| STAND-A07-R12 | LCD monitor/PPC STAND V type for AFL series, VESA 75,0~90 degree adjustable hinge, support up to 2.5KG, Powder paint, RoHS |
| VSTAND-A10-R12 | LCD monitor/PPC STAND V type for AFL series, VESA 75/100,0~90 degree adjustable hinge, support up to 3KG, Powder paint, RoHS |
| VSTAND-A12-R12 | LCD monitor/PPC STAND V type for AFL series, VESA 75/100,0~90 degree adjustable hinge, support up to 3.5KG, Powder paint, RoHS |

ARM

VESA 75/100 Desk ARM

| VESA | Model |
|-------------------|-----------|
| 75x75mm/100x100mm | ARM-11-RS |
| | ARM-31-RS |



ARM-11-RS

ARM-31-RS

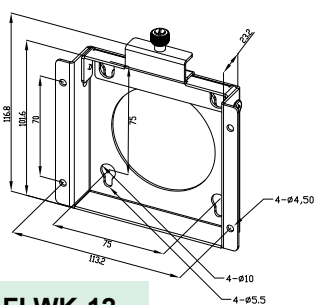
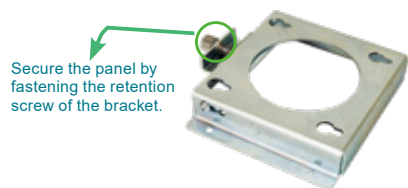
Ordering Information

| Part No. | Description |
|-----------|--|
| ARM-11-RS | LCD Monitor / PPC ARM, VESA 75/100, 3kg~6kg, RoHS |
| ARM-31-RS | LCD Monitor / PPC ARM, VESA 75/100, 7kg~14kg, RoHS |

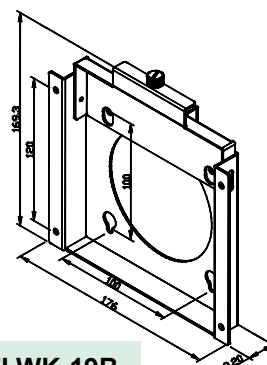
Wall Mounting

VESA 75/100 Wall Mounting

| VESA | Model |
|-------------------|-----------|
| 75x75mm/100x100mm | AFLWK-12 |
| | AFLWK-19B |



AFLWK-12



AFLWK-19B

Ordering Information

| Part No. | Description |
|-----------|--|
| AFLWK-12 | 5.6"~12" VESA 75x75mm PPC/Monitor Wall Mount Kit with Retention Screw, Silver color, RoHS |
| AFLWK-19B | 15"~19" VESA 100x100mm PPC/Monitor Wall Mount Kit with Retention Screw, Silver color, RoHS |