

# 1U AC Input AT Type

## ACE-716AP

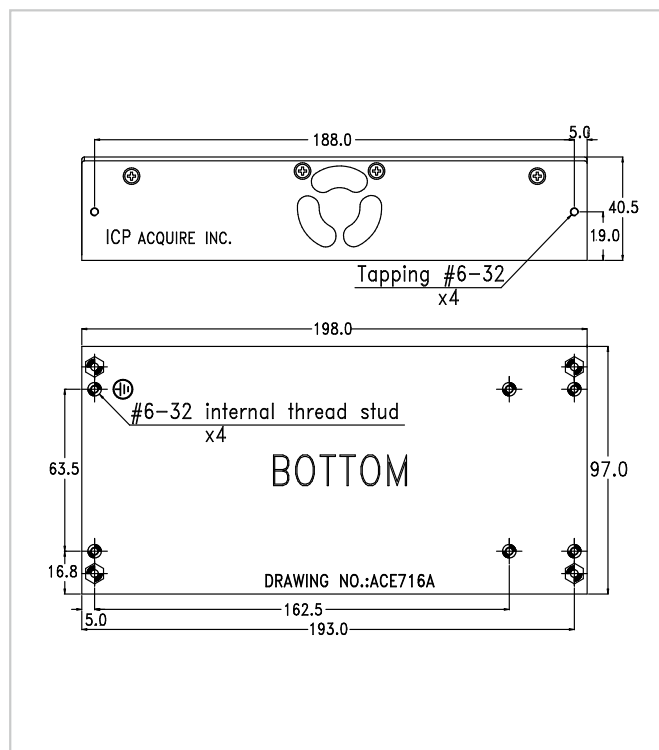
150 W 1U Type AT Power Supply



### Specifications

Input Type	85 ~ 265 VAC Full Range (ACE-716AP)			
Output Voltage	+5V	+12V	-5V	-12V
	18 A (1 A min.)	4 A	0.5 A	1 A
Efficiency	75%			
Temperature	Operating: -20°C ~ 70°C (50°C ~ 70°C derating curve) Storage: -20°C ~ 85°C			
MTBF (hrs)	149,000			
Output Connector	Optional cable			
Dimensions (mm)	198 x 97 x 40.5			

### Dimensions (Unit: mm)



### Ordering Information

Part No.	Description
ACE-716AP-RS	150W AC-DC AT Power Supply, with PFC