

63040-430060-010-RS

60W AC/DC Adapter



Plug Type: Power Φ 2.5/ Φ 5.5



63040-430084-000-RS

84W AC/DC Adapter



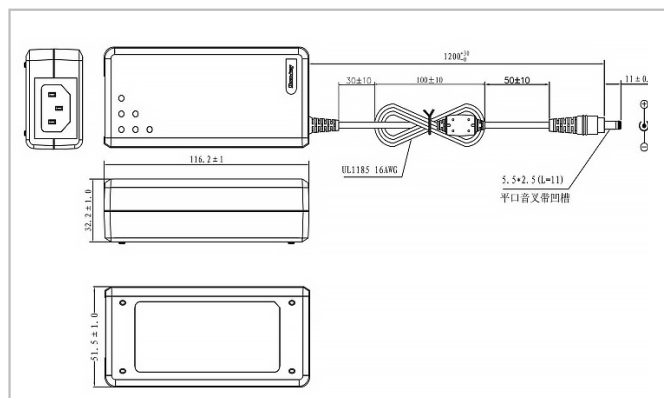
Plug Type: Power Φ 2.5/ Φ 5.5



Specifications

- Input voltage range:90-264 VAC
- Input Frequency:47-63 Hz
- Output voltage:12V
- Output Current:5A
- Output Watts:60W
- Efficiency:88%
- Operating Temperature:0°C-40°C
- Storage Temperature:-40°C-70°C

Dimensions (Unit: mm)



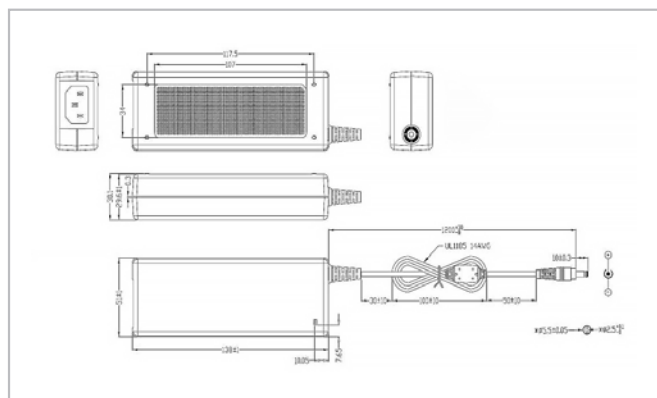
Ordering Information

| Part No. | Description |
|---------------------|---|
| 63040-430060-010-RS | 12V 60W power adapter with Φ 2.5/ Φ 5.5 90-264VAC input |

Specifications

- Input voltage range:90-264 VAC
- Input Frequency:47-63 Hz
- Output voltage:12V
- Output Current:7A
- Output Watts:84W
- Efficiency:89%
- Operating Temperature:0°C-40°C
- Storage Temperature:-30°C-70°C

Dimensions (Unit: mm)



Ordering Information

| Part No. | Description |
|---------------------|---|
| 63040-430084-000-RS | 12V 84W power adapter with Φ 2.5/ Φ 5.5 90-264VAC input |