

UPC-F12M1-RPLP

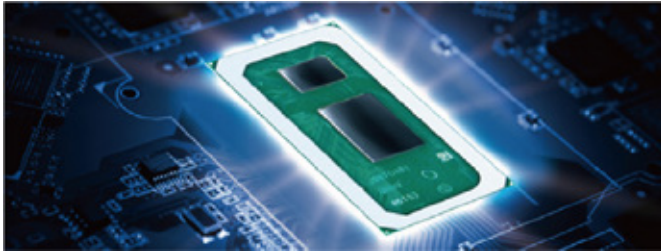
IEI Heavy Industrial Panel PC

Powered by Intel® Raptor Lake-P platform



13th Gen Intel®Raptor Lake-P Platform

Powered by 13th generation Intel® Raptor Lake-P Series processors add more thread processing can increase computing power, making product performance even better.



Support WiFi 6E and Bluetooth 5.2

Strong Wi-Fi 6E wireless network capability provides more bandwidth, and the low latency Bluetooth 5.2 connection is more stable and consumes less power.



Anti-glare and Anti-UV PCAP

With anti-glare and anti-UV coating, the 10-point touchscreen can display clearly without reflection for a long time use in outdoors and bright light environment.



Works with Gloves and Water

The equipped capacitive touch screen supports gloved operation and waterproof function that can effectively eliminate false touch operating caused by water spray.



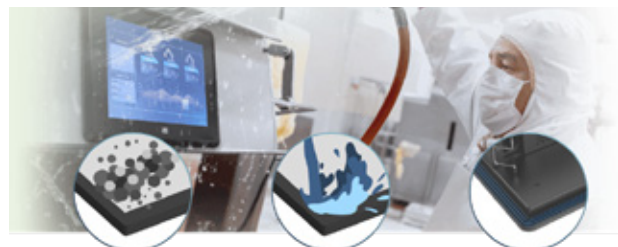
Freely selected I/O interface

The panel PC is small, but comes with abundant I/O for a variety of application scenarios. Customers can freely lead out the required interface according to their own needs

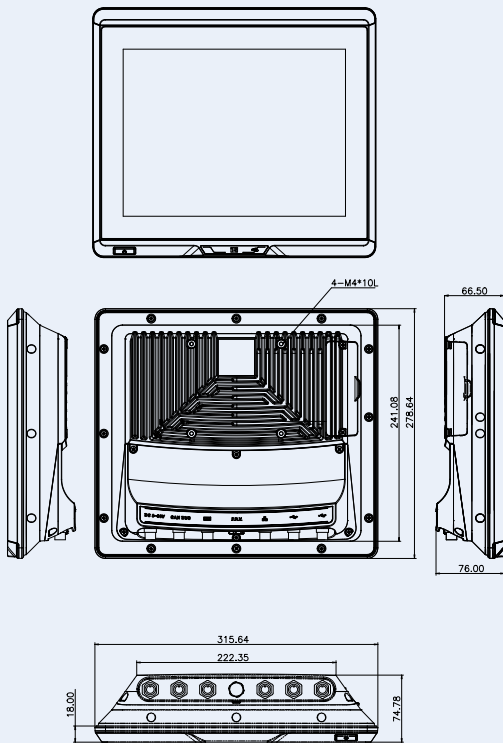


Full body IP66 protection rating

The full body IP66 protection level not only provides more robust and reliable performance, but also meets the specific needs of professional users and users in special environments.



Dimensions (Unit: mm)



Specifications

Model	UPC-F12M1-RPLP-i3/PC/8G-R10		
LCD	Size	12.1" (4:3)	
	Resolution (WxH)	1024 x 768	
	Panel Model	INX G121XCE-L01	
	Brightness (cd/m ²)	600	
	LCD Color	16.7M	
	Pixel Pitch (mm)	0.24 x 0.24	
	Contrast Ratio	700 : 1	
	Viewing Angle (H-V)	160°/140°	
Touch	Backlight MTBF	50,000 hours	
	Touch Screen	PCAP with USB interface (anti-UV/AG coating)	
Motherboard	Touch Controller	ILITEK: ILI2520	
	SOC	Intel® Raptor Lake-P Core™ i3-1315URE SoC Processor (15W)	
	RAM	Dual channel 8GB LPDDR4x on board	
	Ethernet	LAN1: Intel® I226IT 2.5GbE controller LAN2: Intel® I226IT 2.5GbE controller	
	Storage	1 x M.2 M key 2280 (PCIe Gen3 x4)	
	Expansion	1 x M.2 B key 3042/3052/3080 (SATA & PCIe Gen3 x1 & USB 3.0) 1 x M.2 M key 2280 (PCIe Gen3 x4)	
	Internal I/O Ports		1 x HDMI 2 x LAN (2.5GbE) 2 x CAN Bus (RJ45) 1 x RS-232 (RJ45) 1 x RS-232/422/485 (RJ45)
			3 x USB3.0 2 x USB2.0
			1 x DIN 4pin DC jack (9~36V DC)
			1 x DC-in terminal block (9~36V DC) support ACC mode
External I/O Ports	External I/O Ports	1 x 5pin M12A MALE connector for DC Jack / Terminal (9V~36V DC)	
		1 x 8pin M12A MALE connector for CANBUS 1 x 8pin M12A MALE connector for COM (RS-232/422/485) 1 x 8pin M12X MALE connector for GbE LAN (2.5G) 2 x 8pin M12A MALE connector for USB 2.0	
Connectivity	RFID	Reserved RFID antenna area (optional)	
	Wireless & Bluetooth	IEEE 802.11 a/b/g/n/ax, Bluetooth V5.2 (optional) 1 x M.2 2230 E key Slot (PCIe + USB signal)	
Physical	Construction	Aluminum die-casting	
	Mounting	VESA 100mm x 100mm	
	Net Weight	5kg	
	Dimensions (W x L x D) (mm)	316 x 279 x 67	
Environment	Operating Temperature (Ambient with air flow)	-20°C ~ 60°C	
	Storage Temperature	-20°C ~ 70°C	
	Humidity	10% to 95%@40°C (non-condensing)	
	Operating Shock	Half-sine wave shock 5G; 11ms; 100 shocks per axis	
	Operating Vibration	MIL-STD-810F 514.5G-1 (with SSD)	
	IP Level	Full IP66	
	Safety&EMC	CE/FCC/UKCA	
	Thermal Solution	Fanless	
Power	9 ~ 36V DC-in terminal block support ACC mode		
ErP	ErP 2009/125/EC		
OS	Windows 10/11 IoT Linux		

Packing List

M12 USB cable	M12 5 pin power cable with 3 pin terminal block
---------------	---

Ordering Information

Part No	Description
UPC-F12M1-RPLP-i3/PC/8G-R10	12.1" 600cd/m ² XGA fanless panel PC with Intel® Raptor Lake-P Core™ i3-1315 URE Processor, TDP 15W, 8GB LPDDR4x RAM, PCAP touch, M12 I/O, R10

Options

Item	Part No	Description
Arm	ARM-11-RS	VESA 75/100 Desk ARM
Stand	STAND-C12-R10	VESA 75/100 Easy Stand
Wall Mount Kit	AFLWK-12	Monitor Wall mounting kit
Cable	32005-006500-100-RS	3 meter com cable with 8pin M12A female to DB9 male
	32013-007400-100-RS	3 meter lan cable with 8pin M12X female to RJ45 female