

AFL4-W08-EHL

IEI Light Industrial Panel PC

Powered by Intel® Elkhart Lake Platform



iEi

WWW.IEIWORLD.COM



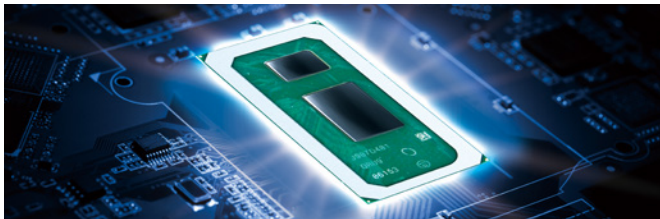
AFL4-W08-EHL

Fanless panel PC with narrow bezel design, Intel® Celeron® J6412 processor, on-board 8GB memory, HDMI output, 2.5GbE LAN, two RS-232/422/485, two USB 3.2 Gen2, one USB 2.0, one M.2 M key expansion slot, and anti-glare & anti-UV 10-point touchscreen



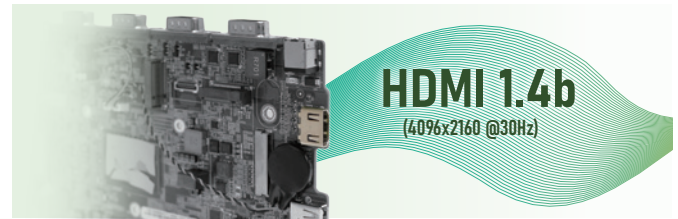
Intel® Celeron® J6412 SoC

Intel® Elkhart Lake low power SoC, adopting 10nm process, 4-core 4-thread, 2.00GHz base frequency and up to 2.60GHz burst frequency



Support 4K UHD Display Output

10th generation Intel® Ultra HD graphics engine allows the system to display video and images in stunning 4K resolution over HDMI 1.4b.



Anti-glare and Anti-UV PCAP

With anti-glare and anti-UV coating, the 10-point touchscreen can display clearly without reflection for a long time use in outdoors and bright light environment.



Works with Gloves and Water

The equipped capacitive touch screen supports gloved operation and waterproof function that can effectively eliminate false touch operating caused by water spray



Extensive I/O Interfaces

The panel PC is small, but comes with abundant I/O for a variety of application scenarios. It includes two UART, three USB, one 2.5G network port and one HDMI interface.

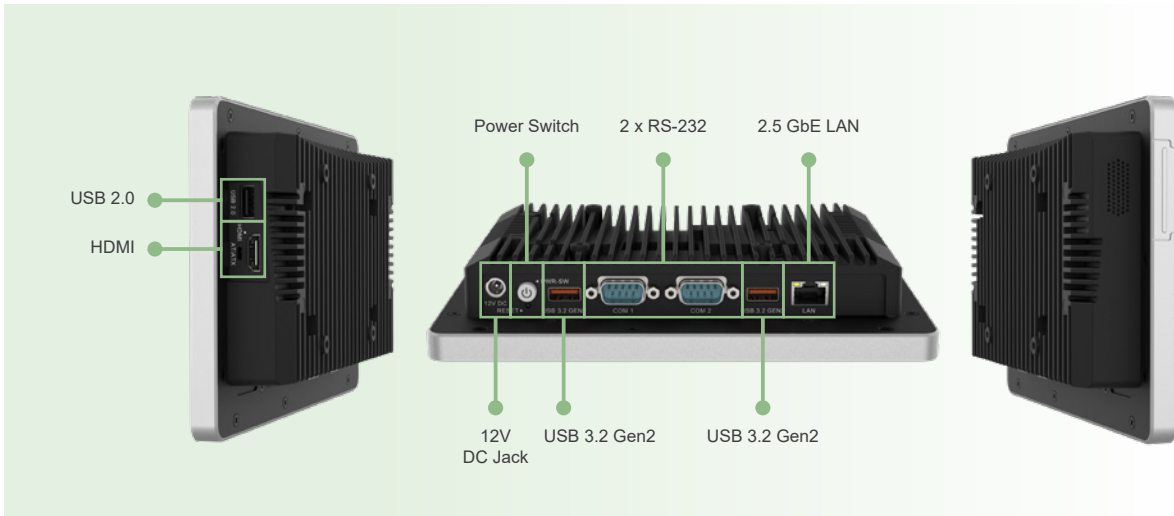


Support WiFi 6E and Bluetooth 5.2

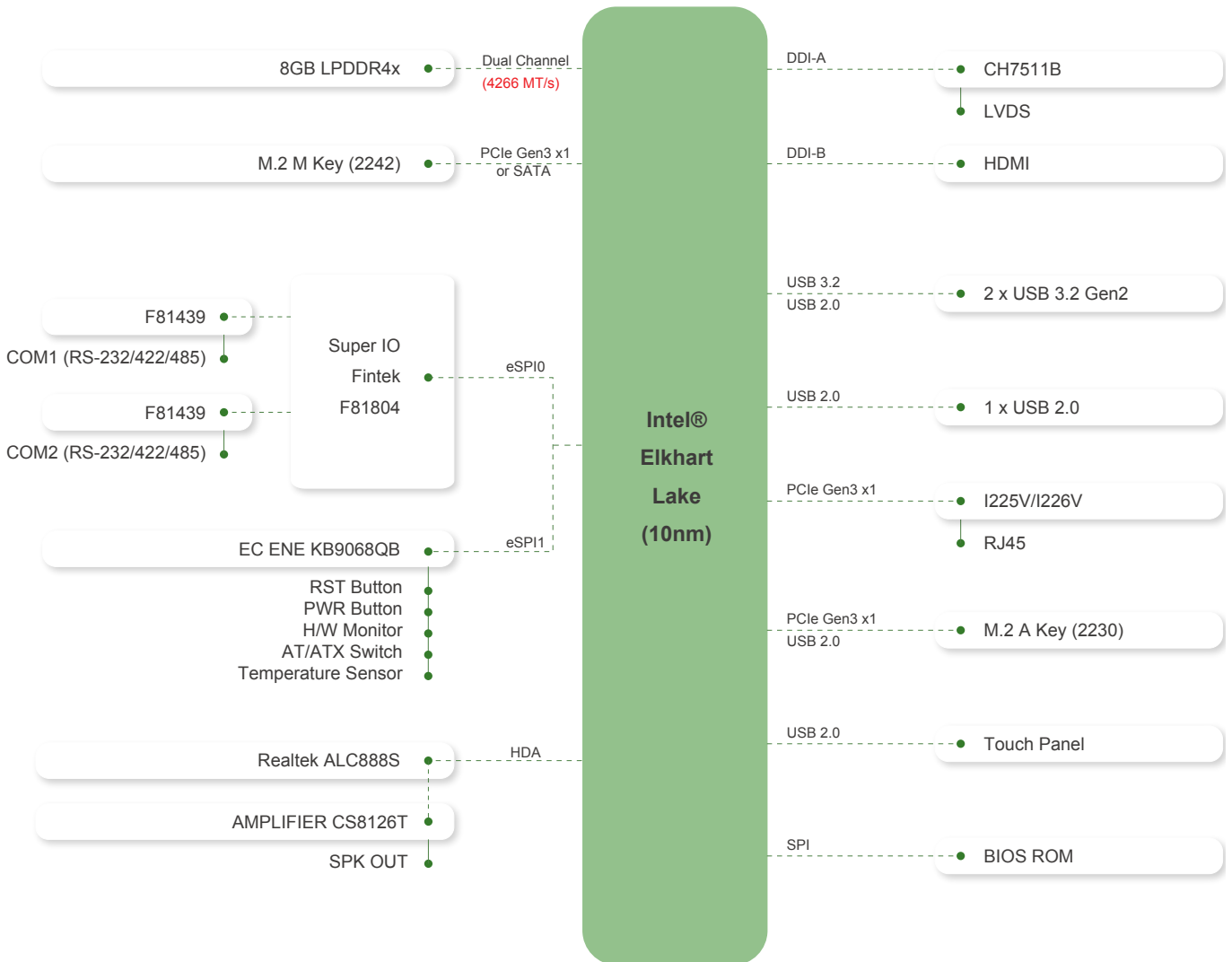
Strong Wi-Fi 6E wireless network capability provides more bandwidth, and the low latency Bluetooth 5.2 connection is more stable and consumes less power.



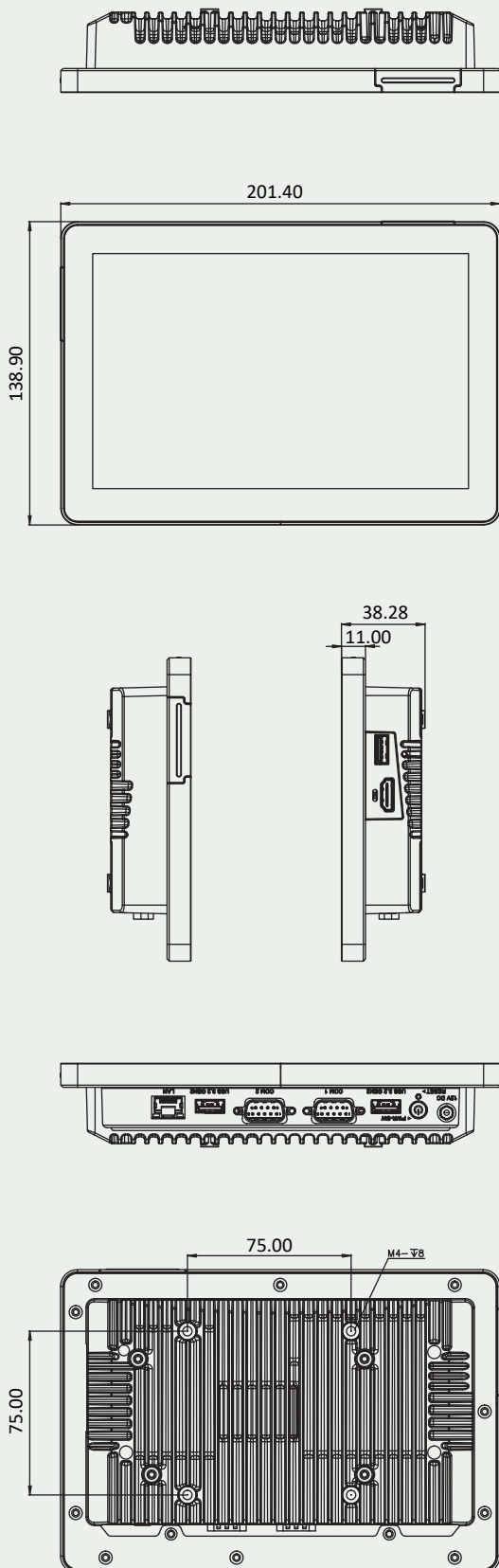
Fully Integrated I/O



Block Diagram



Dimensions (Unit: mm)



Specifications

| Model | AFL4-W08-EHL | | |
|----------------------|--|--|------------------|
| LCD | Size | 8" (16:10) | |
| | Resolution (WxH) | 1280 x 800 | |
| | Brightness (cd/m ²) | 420 | |
| | LCD Color | 16.7M | |
| | Pixel Pitch (mm) | 0.135 x 0.135 | |
| | Contrast Ratio | 800:1 | |
| | Viewing Angle (H-V) | 170°/170° | |
| Touch | Backlight MTBF | 30000 hours | |
| | Touch Screen | PCAP with USB interface (anti-UV/AG coating) | |
| Touch Controller | Touch Controller | EETI EXC 81 Series | |
| | SOC | Intel® Celeron® Processor J6412 1.5M Cache, up to 2.60 GHz / TDP 10W | |
| Mainboard | RAM | Dual channel 8GB LPDDR4x on board | |
| | Ethernet | LAN1: Intel® I225-V / I226-V 2.5GbE controller | |
| | Audio Codec | Realtek ALC888S | |
| | Storage | 128G eMMC (optional) | |
| | Expansion | 1 x M.2 2242 M key (PCIe Gen3 x1 + SATA) | |
| | I/O Ports & Switch | 2 x RS-232/422/485 by DB9 | 1 x 12V DC Jack |
| | | 1 x 2.5GbE LAN | 1 x Power button |
| 2 x USB 3.2 Gen2 | | 1 x Reset button | |
| 1 x USB2.0 | | 1 x AT/ATX switch | |
| 1 x HDMI output | | | |
| Audio | AMP 1.2 W (internal speaker) | | |
| Wireless & Bluetooth | IEEE 802.11 a/b/g/n/ax, Bluetooth V5.2 | | |
| | 1 x M.2 2230 A Key Slot (PCIe + USB signal) | | |
| Physical | Body Material | Aluminum die casting+SECC | |
| | Mounting | Wall, Stand, ARM, VESA 75 | |
| | Color | Silver+Black | |
| Environment | Operating Temperature (°C) (Ambient with air flow) | -10 ~ 50@50%RH | |
| | Storage Temperature (°C) | -20 ~ 60@50%RH | |
| | Humidity | 10% to 90%@40°C (non-condensing) | |
| | Operating Shock | Half-sine wave shock 5G; 11ms; 100 shocks per axis | |
| | Operating Vibration | MIL-STD-810G 514.5C-1 (with SSD) | |
| | IP Level | Front panel IP64 | |
| | Safety&EMC | CE/EMC, UKCA, FCC, RED (Class A) | |
| | Thermal Solution | Fanless | |
| Power | 12V | | |
| ErP | ErP 2009/125/EC | | |
| OS | Windows 10/11 IoT/Linux | | |

Packing List

| Item | Q'ty |
|---------------|------|
| Power cord | 1 |
| Power adapter | 1 |
| QIG | 1 |

Ordering Information

| Part No. | Description |
|------------------------|---|
| AFL4-W08-EHL-J1/8G-R10 | 8" 420cd/m ² 1280x800 fanless Panel PC with Intel® Celeron® Processor J6412 (10W) on-board Processor, 8GB LPDDR4 on-board, 802.11a/b/g/n/ac/ax WiFi&Bluetooth@5.2 module, PCAP touch,R10 |

Options

| Item | Part No. | Description |
|---------|---------------------------|--|
| Arm | ARM-11-RS | VESA 75/100 Desk ARM |
| Stand | STAND-C12-R10 | VESA 75/100 Easy Stand |
| V-Stand | VSTAND-A07-R11 | Stand V Type for AFL series, VESA 75/100 |
| Wall | AFLWK-12 | Monitor Wall mounting kit |
| OS | AFL4-EHL-W10IoT21-E-R10 | OS Image with Windows® 10 Enterprise Entry 64-bit 2021 LTSC for all AFL4-X-EHL Series |
| | AFL4-EHL-Win11IoT22-E-R10 | OS Image with Windows® 11 IoT Enterprise MultiLang ESD OEI Entry 2022 GAC 64-bit for all AFL4-XXX-EHL Series |