

# AFL4-121-ADLP

## IEI Light Industrial Panel PC

Powered by Intel® Alder Lake-P / Raptor Lake-P Platform



**IEI**

[WWW.IEIWORLD.COM](http://WWW.IEIWORLD.COM)



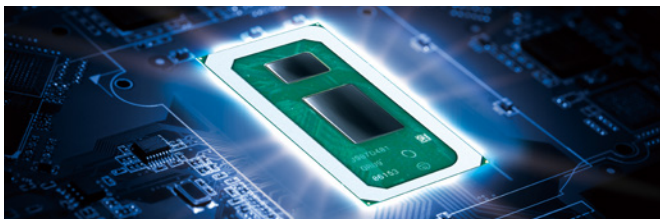
## AFL4-121-ADLP

Fanless panel PC with narrow bezel design, Intel® Alder Lake-P platform, on-board 8GB memory, HDMI output, dual 2.5GbE LAN, four UART, five USB, two M.2 M key expansion slots, and anti-glare & anti-UV 10-point touchscreen



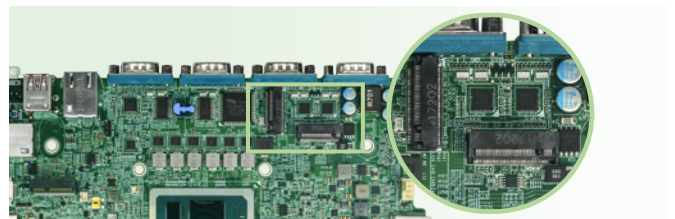
### 12th Gen Intel® Alder Lake-P Platform

Powered by 12th generation Intel® Alder Lake-P Series processors and asynchronous architecture, unleashing superior performance.



### Dual full-speed M.2 expansion slots

Two M.2 M keys support 2242 and 2280 size, PCIe Gen4 x 4 full speed signal, more bandwidth, faster speed.



### Anti-glare and Anti-UV PCAP

With anti-glare and anti-UV coating, the 10-point touch screen can be displayed clearly without reflection.



### Works with Gloves and Water

The equipped capacitive touch screen supports gloved operation and waterproof function that can effectively eliminate false touch operating caused by water spray.



### Extensive I/O Interfaces

The panel PC is small, but comes with abundant I/O for a variety of application scenarios. It includes four UART, five USB, two 2.5G network port and one HDMI interface.

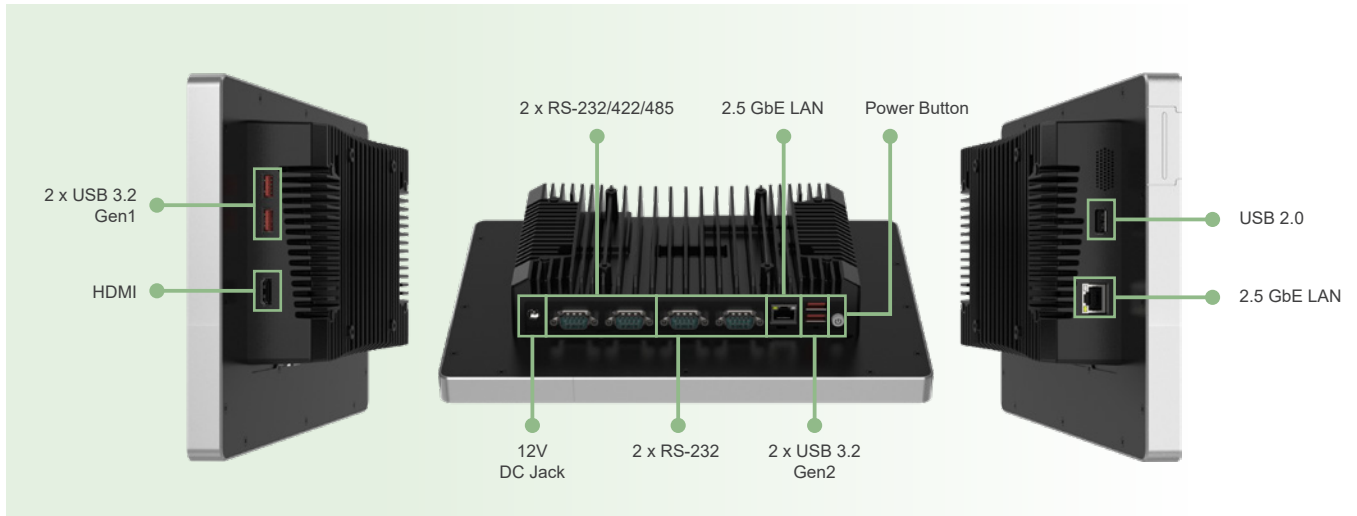


### Support WiFi 6E and Bluetooth 5.2

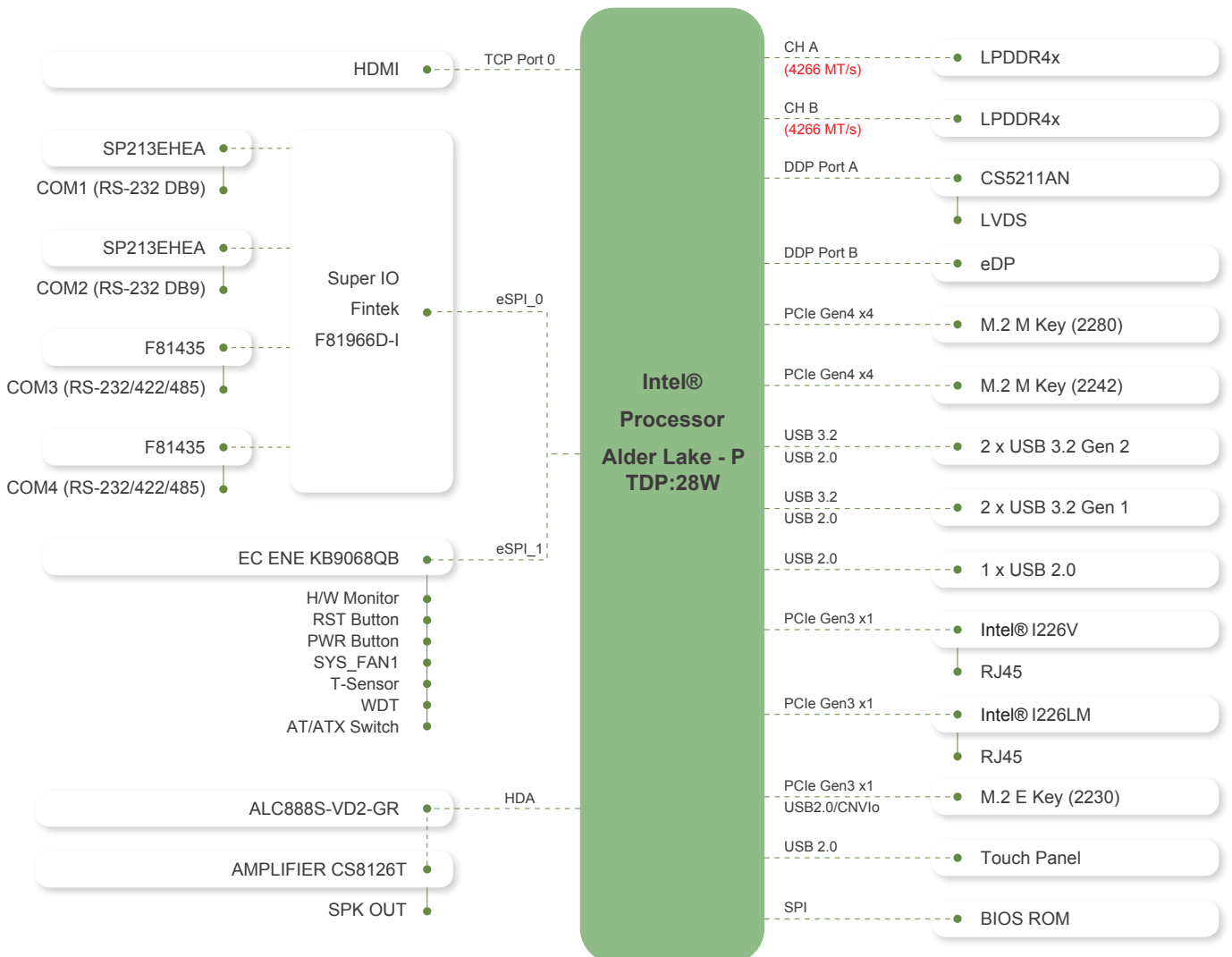
Strong Wi-Fi 6E wireless network capability provides more bandwidth, and the low latency Bluetooth 5.2 connection is more stable and consumes less power.



## Fully Integrated I/O



## Block Diagram



## Specifications

Model	AFL4-121-ADLP	
LCD Display	12.1" (4:3)	
Resolution	1024 (W) x 768 (H)	
Brightness	500 cd/cm <sup>2</sup>	
Contrast Ratio	700:1	
LCD Color	16.2M	
Viewing Angle (H-V)	160°/140°	
Backlight MTBF	50,000 hours	
CPU (SoC)	12th Generation Intel® Core™ i7/i5/i3 Processor ( Alder Lake-P) 13th Generation Intel® Core™ i7/i5/i3 Processor ( Raptor Lake-P)	
Memory	Dual-channel 8GB LPDDR4x on-board	
Touchscreen	Multi-point projected capacitive type (anti-UV / anti-glare coating,support gloves)	
Touch Controller	Surface hardness: ≥7H Projected capacitive type: EETI 80	
Ethernet	LAN1: Intel® I226V 2.5GbE controller LAN2: Intel® I226-LM 2.5GbE controller (support Intel® AMT )	
Expansion	1 x M.2 M key 2242 (PCIe Gen4 x4) 1 x M.2 M key 2280 (PCIe Gen4 x4)	
Mounting	VESA 100, Wall, Stand and Arm	
Construction Material	Aluminum front cover and sheet metal rear cover	
Enclosure Color	Silver+Black	
I/O Ports, Switch	2 x RS-232 by DB9 2 x RS-232/422/485 by DB9 2 x 2.5GbE LAN 2 x USB 3.2 Gen2 2 x USB 3.2 Gen1 1 x USB 2.0	1 x HDMI output 1 x 12V DC Jack 1 x Power button 1 x Reset button 1 x AT/ATX switch
Wireless & Bluetooth	IEEE 802.11ax 2T2R module (Wi-Fi 6E) with BT v5.2 (M.2 2230 E-key)	
Thermal Solution	Fanless	
Power Input	DC 12V	
Power consumption	+12V @ 5.853A (Intel® Core i7-1270PE with 8GB memory)	
TPM	Intel® Platform Trust Technology	
Watchdog Timer	Software Programmable support 1~255 sec. system reset	
Operating Temperature (with air flow)	-10°C ~ 50°C	
Storage Temperature	-20°C ~ 60°C	
Humidity	10% ~ 95%@40°C, non-condensing	
IP Level	IP 64 compliant front panel	
Safety and EMC	CE, FCC Class A, UKCA	
Operation Vibration	MIL-STD-810G 514.6C-1(with SSD)	
Operation Shock	Half-sine wave shock 5G; 11ms; 100 shocks per axis	
Dimensions (H x W x D)	280.36 x 220.92 x 57.80 (mm)	
Net Weight	2.38kg	
ErP	ErP 2009/125/EC	

## Ordering Information

AFL4-121-ADLP-i7/8G-R11	12.1" 500cd/m <sup>2</sup> 1024x768 fanless panel PC with Intel® Core™ i7-1260P on-board processor, 8GB LPDDR4x on-board, Wi-Fi 6E and Bluetooth 5.2 module, PCAP touch, 12V DC, R11
AFL4-121-ADLP-i5/8G-R11	12.1" 500cd/m <sup>2</sup> 1024x768 fanless panel PC with Intel® Core™ i5-1240P on-board processor, 8GB LPDDR4x on-board, Wi-Fi 6E and Bluetooth 5.2 module, PCAP touch, 12V DC, R11
AFL4-121-ADLP-i3/8G-R11	12.1" 500cd/m <sup>2</sup> 1024x768 fanless panel PC with Intel® Core™ i3-1220P on-board processor, 8GB LPDDR4x on-board, Wi-Fi 6E and Bluetooth 5.2 module, PCAP touch, 12V DC, R11
AFL4-121-ADLP-Ri3E/8G-R11	12.1" 500cd/m <sup>2</sup> 1024x768 fanless panel PC with Intel® Core™ i3-1320PE on-board processor, 8GB LPDDR4x on-board, Wi-Fi 6E and Bluetooth 5.2 module, PCAP touch, 12V DC, R11
AFL4-121-ADLP-Ri5E/8G-R11	12.1" 500cd/m <sup>2</sup> 1024x768 fanless panel PC with Intel® Core™ i5-1340PE on-board processor, 8GB LPDDR4x on-board, Wi-Fi 6E and Bluetooth 5.2 module, PCAP touch, 12V DC, R11
AFL4-121-ADLP-Ri7E/8G-R11	12.1" 500cd/m <sup>2</sup> 1024x768 fanless panel PC with Intel® Core™ i7-1370PE on-board processor, 8GB LPDDR4x on-board, Wi-Fi 6E and Bluetooth 5.2 module, PCAP touch, 12V DC, R11

## Packing List

Item	Q'ty
Power Cord	1
Power Adapter	1
QIG	1
Thermal Pad	1

## Options

Item	Part No.	Description
Arm	ARM-11-RS	VESA 75/100 Desk Arm
Stand	STAND-C12-R10	VESA 75/100 Easy Stand
Wall	AFLWK-19B	Monitor Wall Mount Kit
OS	AFL4-ADLP-W10IoT21-H-R10	Windows® 10 Enterprise High End 64-bit 2021 LTSC for AFL4-ADLP i7 Series
	AFL4-ADLP-W10IoT21-V-R10	Windows® 10 Enterprise Value 64-bit 2021 LTSC for AFL4-ADLP i3 & i5 Series
	AFL4-ADLP-W11IoT22-H-R10	Windows® 11 Enterprise High End 64-bit 2022 LTSC for AFL4-ADLP i7 Series
	AFL4-ADLP-W11IoT22-V-R10	Windows® 11 Enterprise Value 64-bit 2022 LTSC for AFL4-ADLP i3 & i5 Series

## Dimensions (Unit: mm)

