

AFL3-W15C-ADLP

IEI Light Industrial Panel PC

Powered by Intel® Alder Lake-P / Raptor Lake-P



www.ieiworld.com



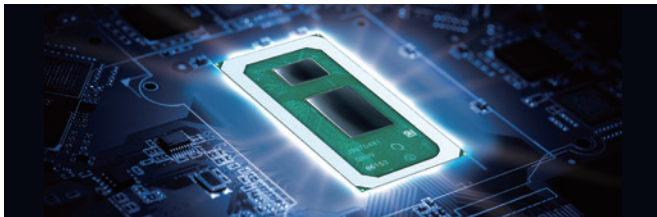
AFL3-W15C-ADLP

Fanless, high-performance Panel PC, supporting 12th/13th Gen Intel® Core™ i7/i5/i3 processors, 8GB DDR4 memory, HDMI output, dual 2.5GbE LANs, IPMI remote management, three M.2 expansion slots, and an anti-glare, UV-resistant, 10-point capacitive touchscreen that is RoHS-compliant



12th/13th Gen Intel® Core™ Mobile Processors

The 12th/13th Generation Intel® Core™ mobile processors feature a new Performance Hybrid Architecture that delivers superior performance and rich scaling for a superior experience.



Support 4K UHD Display Output

10th generation Intel® Ultra HD graphics engine allows the system to display video and images in stunning 4K resolution over HDMI 1.4b



Anti-glare and Anti-UV PCAP

With anti-glare and anti-UV coating, the 10-point touch screen can be displayed clearly without reflection.



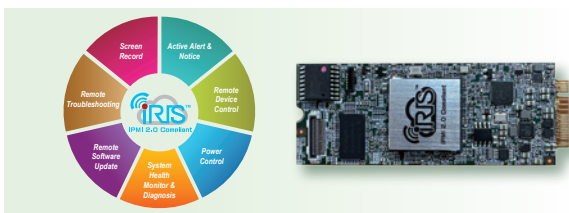
Support WiFi 6E and Bluetooth 5.2

Strong Wi-Fi 6E wireless network capability provides more bandwidth, and the low latency Bluetooth 5.2 connection is more stable and consumes less power.



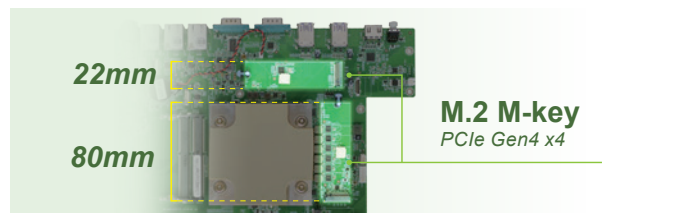
IPMI 2.0 Remote Management

Together with the IEI iRIS expansion card, it can support remote management system over the network for OS installation and restoration, power on or power off, and other operations.

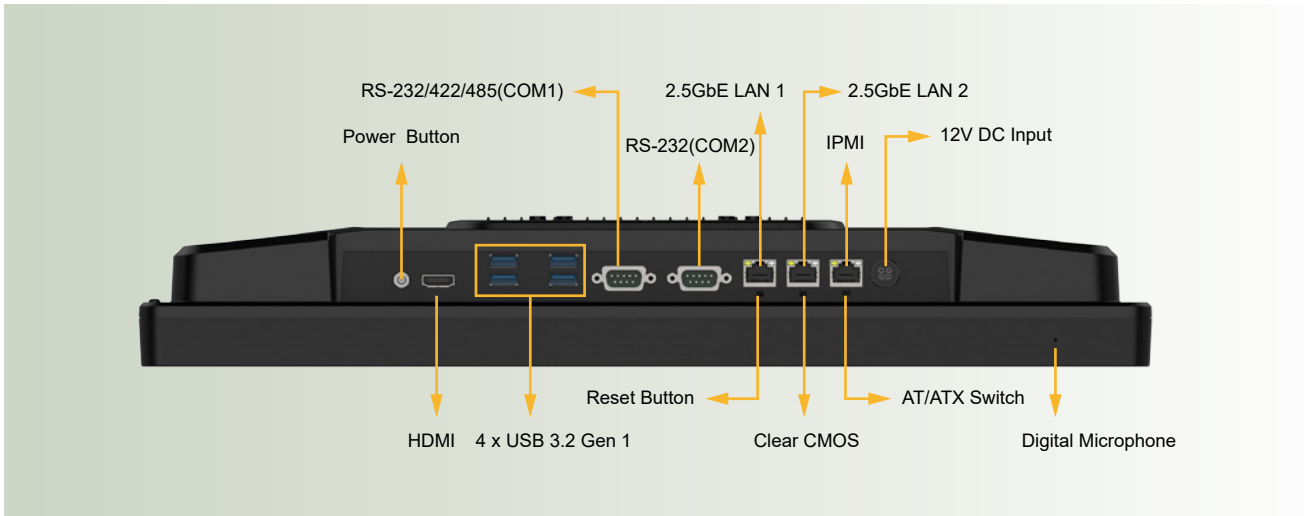


Dual full-speed M.2 expansion slots

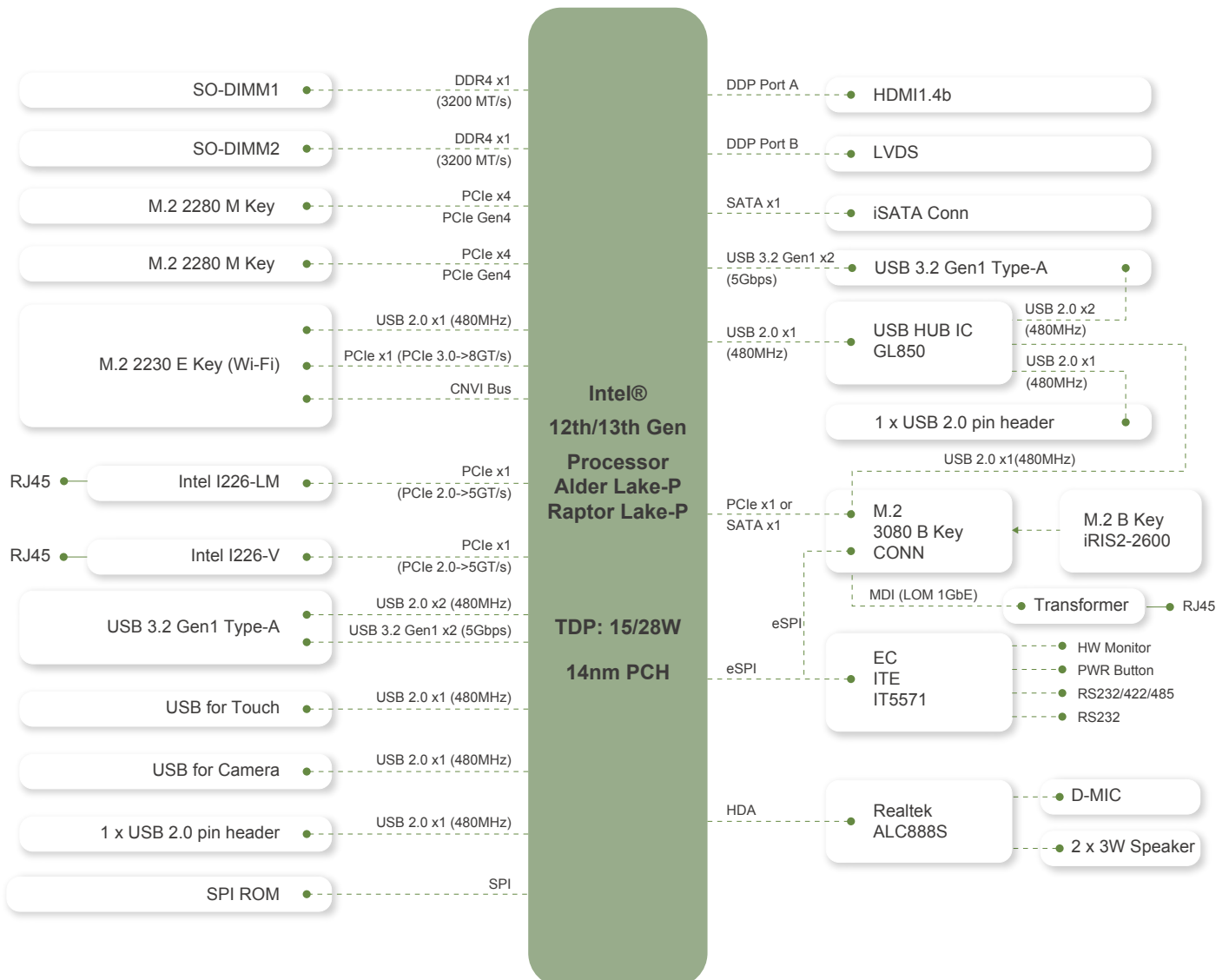
Two M.2 M-key slots accept 2280 sizes of M.2 modules, and supports PCIe Gen4 x4 full-speed signal for more bandwidth and faster speed.



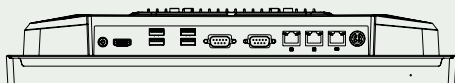
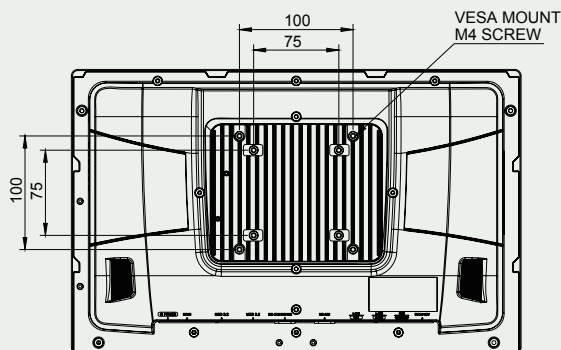
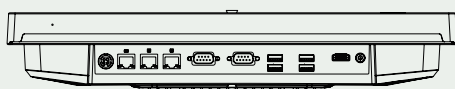
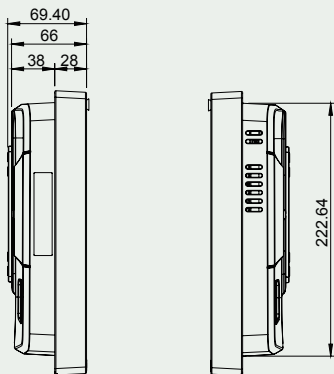
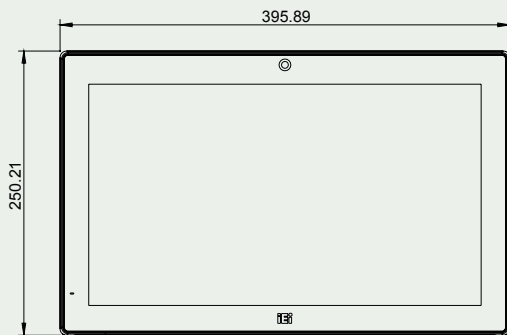
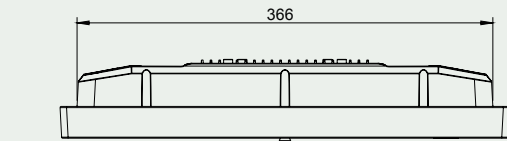
Fully Integrated I/O



Block Diagram



Dimensions (Unit: mm)



Specifications

| Model | AFL3-W15C-ADLP | |
|----------------------|---|--|
| LCD | Size | 15.6" |
| | Resolution | 1920 x 1080 (16:9) |
| | Brightness (cd/m ²) | 450 |
| | Contrast Ratio | 800:1 |
| | Viewing Angle (H-V) | 178/178 |
| | Backlight MTBF | 50000 |
| Touch | Touch Screen | PCAP with USB interface (anti-UV/AG coating) |
| | Touch Controller | EXC3160 |
| Mainboard | Ethernet | LAN1: Intel® I226 LM(support Intel AMT) LAN2: Intel® I226V |
| | RAM | Two 260-pin 3200 MHz dual-channel DDR4 SO-DIMM (8GB pre-installed) (up to 64GB) |
| | SOC | 12/13th Gen Intel® Core™ Mobile i7/i5/i3 Processors (Alder Lake-P/Raptor Lake-P) |
| | Audio Codec | ALC888S |
| | Storage | 1 x 2.5" SATA 6Gb/s HDD bay |
| | Expansion | 2 x M.2 2280 M-key (PCIe Gen4x4) 1 x M.2 3080 B-key (PCIe x1 or SATA) support IPMI function |
| | I/O Ports & Switch | 1 x RS-232 by DB9 1 x RS-232/422/485 w/ AFC by DB9 2 x 2.5GbE LAN 1 x RJ45 for IPMI 4 x USB 3.2 Gen1 |
| Audio | AMP 3W + 3W (internal speaker) | |
| Camera / Microphone | 2-megapixel with low light function, digital microphone | |
| Wireless & Bluetooth | IEEE 802.11ax 2T2R module (Wi-Fi 6E) with BT v5.2 (M.2 2230 E-key) | |
| Physical | Construction Front Panel | PC + ABS Plastic |
| | Mounting | VESA 75 /100mm |
| | Color | Black C |
| Environment | Operating Temperature (°C) (Ambient with air flow) | 0 ~ 50 |
| | Storage Temperature (°C) | -20 ~ 60 |
| | Humidity | 10 ~ 90RH@40°C (non-condensing) |
| | IP Level | IP 64 compliant front panel |
| | Safety&EMC | CE, FCC (Class A) , UKCA |
| Power | Power Requirement | 12V DC |
| | Power Consumption | 12V@6.46A (Intel® Core i7-1270PE With 8GB DDR4 Memory) |
| ErP | ErP 2009/125/EC | |
| Supported OS | Microsoft Windows® 10/11 IoT, Linux | |
| Dimensions | 395.5 x 250.21 x 69.4 (mm) | |
| Net Weight | 4.22kg | |

Packing List

| | | | |
|----------------|-----------|-------------------|---------|
| 1 x Power cord | 1 x Screw | 1 x Power adapter | 1 x QIG |
|----------------|-----------|-------------------|---------|

Odering Information

| Part.No | Description |
|----------------------------|---|
| AFL3-W15C-ADLP-i3/8G-R11 | Wide 15.6" 450cd/m ² 1920x1080 Panel PC with 12th Generation Intel® Core™ i3-1220P on-board processor, PCAP touch, 2M camera, microphone, 1x8GB DDR4 RAM, with AG, RoHS |
| AFL3-W15C-ADLP-i5/8G-R11 | Wide 15.6" 450cd/m ² 1920x1080 Panel PC with 12th Generation Intel® Core™ i5-1240P on-board processor, PCAP touch, 2M camera, microphone, 1x8GB DDR4 RAM, with AG, RoHS |
| AFL3-W15C-ADLP-i7/8G-R11 | Wide 15.6" 450cd/m ² 1920x1080 Panel PC with 12th Generation Intel® Core™ i7-1260P on-board processor, PCAP touch, 2M camera, microphone, 1x8GB DDR4 RAM, with AG, RoHS |
| AFL3-W15C-ADLP-Ri3E/8G-R11 | Wide 15.6" 450cd/m ² 1920x1080 Panel PC with 13th Generation Intel® Core™ i3-1320PE on-board processor, PCAP touch, 2M camera, microphone, 1x8GB DDR4 RAM, with AG, RoHS |
| AFL3-W15C-ADLP-Ri5E/8G-R11 | Wide 15.6" 450cd/m ² 1920x1080 Panel PC with 13th Generation Intel® Core™ i5-1340PE on-board processor, PCAP touch, 2M camera, microphone, 1x8GB DDR4 RAM, with AG, RoHS |
| AFL3-W15C-ADLP-Ri7E/8G-R11 | Wide 15.6" 450cd/m ² 1920x1080 Panel PC with 13th Generation Intel® Core™ i7-1370PE on-board processor, PCAP touch, 2M camera, microphone, 1x8GB DDR4 RAM, with AG, RoHS |

Options

| Item | Part No |
|-------------------|--|
| Wall mounting Kit | AFLWK-19B |
| Arm | ARM-11-RS |
| Stand | STAND-A21-R10/ STAND-210-R11/STAND-C19-R10 |
| IPMI card | iRIS2-2600-R10/iRIS2-2620-R10 |