

# AFL3-W15A-BT

Intel® Celeron® J1900 (Quad Core, 2.0 GHz)



## Features

- W15" light industrial interactive panel PC
- 9 V ~ 30 V wide range DC power input
- Selectable AT/ATX power mode
- Built-in speakers
- One mSATA slot
- IP64 compliant front panel
- IEI One Key Recovery solution allows you to create rapid OS backup and recovery (suggested with over 4GB storage capacity)



## Specifications

Model		AFL3-W15A-BT
LCD	Size	15.6"
	Resolution	1366 x 768 (16:9)
	Brightness (cd/m <sup>2</sup> )	400
	Contrast Ratio	500:1
	LCD Color	16.2M
	Pixel Pitch (mm)	0.240 (H) x 0.240 (V)
	Viewing Angle (H-V)	170° / 160°
	Backlight MTBF(hrs)	50000 (LED backlight)
Touch	Touch Screen	5-wire resistive with RS-232 interface (anti-glare coating), Projected capacitive with USB interface (anti-UV / anti-glare coating)
	Touch Controller	PenMount DMC9000 / EETI EXC3188
Motherboard	CPU / Chipset	Intel® Celeron® J1900 (quad core, 2 GHz)
	RAM	One 204-pin 1333 MHz single-channel DDR3L SO-DIMM, 2GB pre-installed (system max. 8GB)
	Ethernet	2 x PCIe GbE by RTL8111HN-CG controller
	Audio Codec	Realtek ALC 888S
Storage		1 x mSATA 1 x 2.5" SATA 3Gb/s HDD bay
I/O Ports & Switch		1 x RS-232 COM port (RJ-45 connector) 1 x RS-232/422/485 COM port (DB-9 connector) (RI/5V/12V) 2 x USB 2.0 2 x USB 3.2 Gen 1 (5Gb/s) 2 x GbE LAN 1 x Power button 1 x Reset button 1 x AT/ATX switch 1 x Audio port (line-out) 1 x 9-30V lockable power jack
Audio		AMP 3W + 3W (internal speakers)
Camera and Microphone		2-megapixel with low light function, digital microphone
Wireless & Bluetooth		IEEE 802.11 a/b/g/n/ac half-size mini-PCIe slot (PCIe signal)
OSD Function		Software OSD
Physical	Front Panel Construction	PC + ABS Plastic
	Mounting	Panel, Wall, Rack, Stand and Arm VESA 75mm x 75mm / 100mm x 100mm
	Color	Black C
	Dimensions (WxHxD) (mm)	396 x 250 x 53
	Cut-out Dimensions (WxH) (mm)	273 x 226
	Net/Gross Weight (kgs)	3.3/5.6
Environment	Operating Temperature (°C) (Ambient with air flow)	-20°C ~ 50°C
	Storage Temperature (°C)	-20°C ~ 60°C
	Humidity	10% to 95% (non-condensing)
	IP Level	IP 64 compliant front panel
	Safety & EMC	CE / FCC
	Thermal Solution	Fanless
Power	Power Requirement	9 V ~ 30 V
	Power Consumption	12V@4.16A (Intel® J1900 CPU with 2GB 1333 MHz DDR3 memory)

## Ordering Information

Part No.	Description
AFL3-W15A-BT-J1/R/4G-R15	Wide 15.6" 400 cd/m <sup>2</sup> 1366x768 fanless panel PC with Intel® Celeron® J1900 quad core 2 GHz, 802.11a/b/g/n/ac wireless module, resistive touch window, 4GB DDR3L RAM, with AG, R15

## Packing List

Item	Part No.	Q'ty	Remark
Round head machine screw	44003-020041-RS (W15A-BT/15B-H81)	4	M2*4 round head machine screw
Pan head machine screw	44403-040061-RS	4	M4*6 pan head machine screw
Fix holder	46003-009500-RS	2	
Power adapter	63040-010060-211-RS (AFL3-W15A-BT)	1	60W: Vin: 90V~264V AC; Vout: 12VDC
RJ-45 to DB-9 COM port transfer cable	32005-004600-100-RS(W15A-BT)	1	300mm, 26AWG, (A) D-SUB 9 male, (B) RJ-45

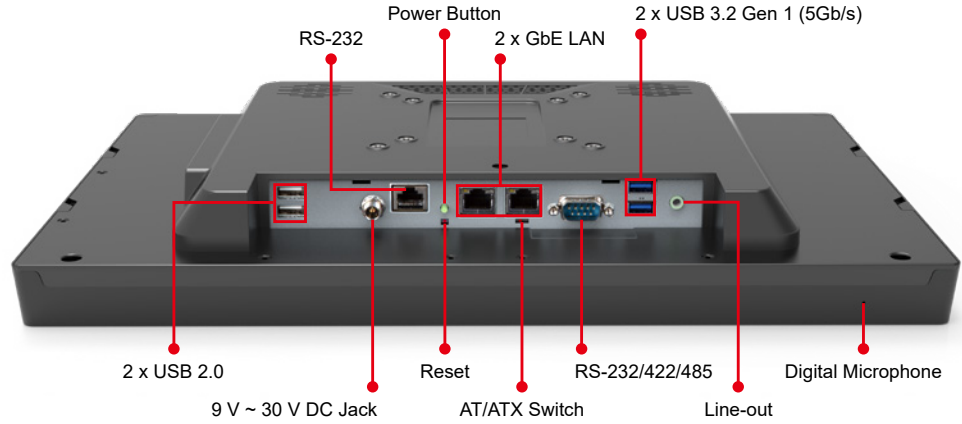
## Options

Item	AFL3-W15A-BT
Panel Mounting Kit	AFL3PK-W15A-R10
Wall Mounting Kit	AFLWK-19B
Rack Mounting Kit	AFL3RK-W15A-R11
Arm	ARM-11-RS/ARM-31-RS
Stand	STAND-A21-R10/ STAND-210-R11/STAND-C19-R10
Barcode Scanner	AFL3-2D-R11
RFID Reader (13.56 MHz Mifare Type) (for ATO assembly)	AFL3-MF-RFID-KIT02-R10**
*OS: Win 7 Embedded (64-bit)	AFL3-W07A-BT-WES7P64-R12 (for PCAP touch) AFL3-W07A-BT-WES7E64-R12 (for resistive touch)
*OS: Win 10 IoT Enterprise (64-bit)	AFL3-W07A-BT-W10E64-E-R12

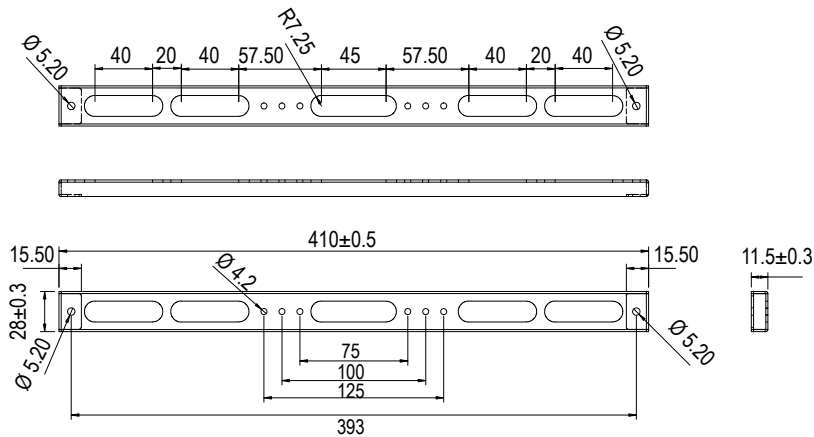
\*\*RFID is supported after AFL3-xxA-BT R11 version

\*OS image with CD-ROM without storage

**AFL3-W15A-BT**  
Fully Integrated I/O



**AFL3PK-W15A-R10**  
Panel Mounting Kit Dimensions (Unit: mm)



**AFL3-W15A-BT Dimensions (Unit: mm)**

