

# PuIM-1G8T-I350

2 x Intel® Ethernet Controller I350-AM4 based Network Interface Card with 8 x RJ-45 by 2 PCIe 2.0 x4 interface, RoHS



## Features

- 2 x Intel® Ethernet Controller I350-AM4
- 8 x GbE RJ-45 connectors
- 2 PCIe 2.0 x4
- CE / FCC / RoHS compliant

## Specifications

Model Name	PuIM-1G8T-I350	PuIM-1G8T/T-I350
Form Factor	IEI Networking Module	
NIC	Intel® Ethernet Controller I350-AM4	
LAN Interface	RJ-45	
Speed	1GbE	
Ports	8	
Host Interface	2 PCIe 2.0 x4	
Storage Temp.	-20°C ~ 75°C (-4°F ~ 167°F)	
Operating Temp.	0°C ~ 40°C (32°F ~ 104°F)	
Humidity	5% ~ 90% RH, Non-condensing	
Dimensions (mm)	165.50 (L) x 77.8 (W) x 44.2 (H)	
Compliance	CE / FCC / RoHS	
Support Device	PUZZLE-IN001 PUZZLE-IN001A PUZZLE-IN004	PUZZLE-IN005

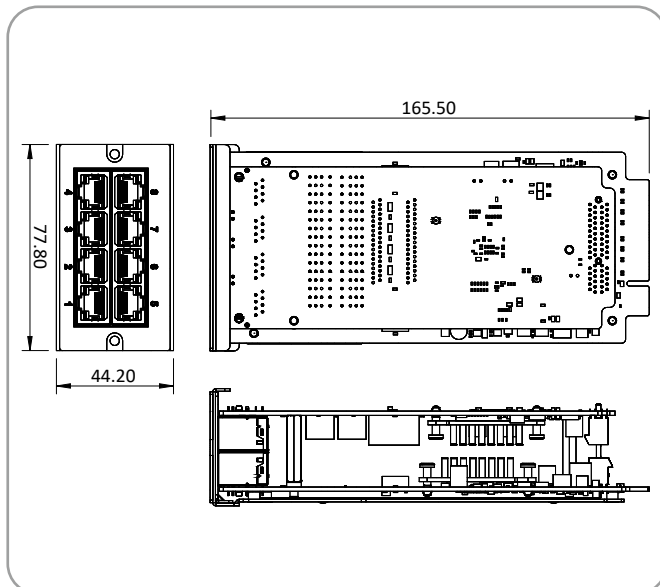
## Ordering Information

Part No.	Description
PuIM-1G8T-I350-R10	Intel® Ethernet Controller I350-AM4 based Network Interface Card with 8 x RJ-45 by 2 PCIe 2.0 x4 interface, RoHS.
PuIM-1G8T/T-I350-R10	Intel® Ethernet Controller I350-AM4 based Network Interface Card with 8 x RJ-45 by 2 PCIe 2.0 x4 interface, RoHS.

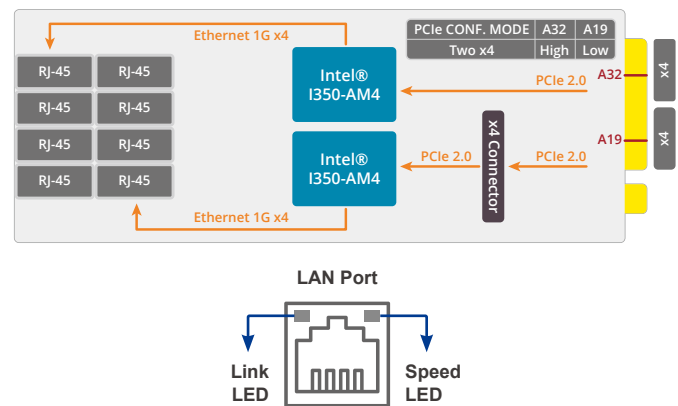
## Packing List

Part No.	L-shaped T10 PuIM Wrench	Torx Screws	QIG
PuIM-1G8T-I350-R10	1	2	1
PuIM-1G8T/T-I350-R10	N/A	N/A	1

## Dimensions (Unit: mm)



## Block Diagram



LED	State	Description
Link (Left)	Yellow	Active
	Green	1 Gbps data rate
Speed (Right)	Orange	100 Mbps data rate