

PuIM-10G4SF-XL710

Intel® Ethernet Controller XL710-BM1 based Network Interface Card with 4 x SFP+ by PCIe 3.0 x8 interface



Features

- 1 x Intel® Ethernet Controller XL710-BM1
- 4 x 10 GbE SFP+ connectors
- PCIe 3.0 x8
- RoHS / CE / FCC compliant

Specifications

Model Name	PuIM-10G4SF-XL710	PuIM-10G4SF/T-XL710
Form Factor	IEI Networking Module	
NIC	Intel® XL710-BM1 Ethernet Controller	
LAN Interface	SFP+	
Speed	1GbE/ 10GbE	
Ports	4	
Host Interface	PCIe 3.0 x8	
Storage Temp.	-20°C ~ 75°C (-4°F ~ 167°F)	
Operating Temp.	0°C ~ 40°C (32°F ~ 104°F)	
Humidity	5% ~ 90% RH, Non-condensing	
Dimensions (mm)	165.50 (L) x 77.8 (W) x 44.2 (H)	
Compliance	CE / FCC / RoHS	
Support Device	PUZZLE-IN001 PUZZLE-IN001A PUZZLE-IN004	PUZZLE-IN005

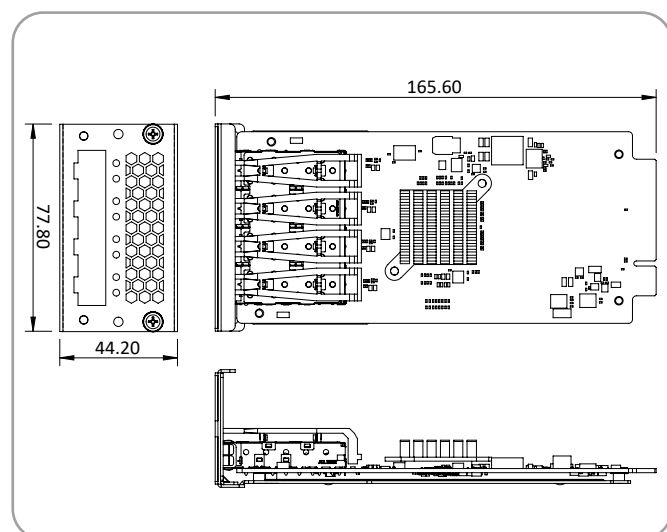
Ordering Information

Part No.	Description
PuIM-10G4SF-XL710-R20	Intel® Ethernet Controller XL710-BM1 based Network Interface Card with 4 x SFP+ by 1 PCIe 3.0 x8 interface, RoHS
PuIM-10G4SF/T-XL710-R10	Intel® Ethernet Controller XL710-BM1 based Network Interface Card with 4 x SFP+ by 1 PCIe 3.0 x8 interface, RoHS

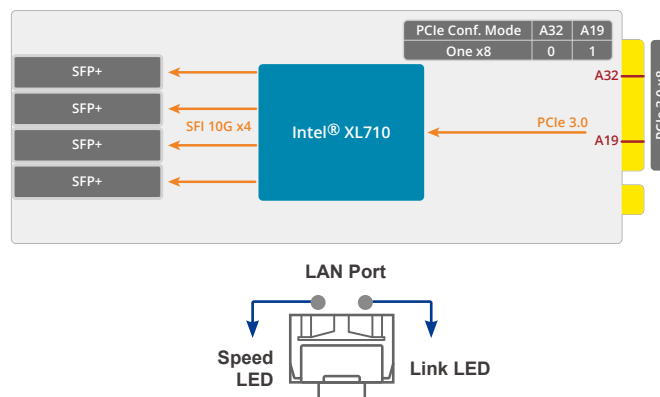
Packing List

Part No.	L-shaped T10 PuIM Wrench	Torx Screws	QIG
PuIM-10G4SF-XL710-R20	1	2	1
PuIM-10G4SF/T-XL710-R10	N/A	N/A	1

Dimensions (Unit: mm)



Block Diagram



LED	State	Description
Link (Right)	Yellow ■	Active
Speed (Left)	Green ■	10 Gbps data rate