

PuIM-100G2SF-CX6



Specifications

	PuIM-100G2SF-CX6
Form Factor	IEI Networking Module - PuIM
NIC	ConnectX-6 Dx
LAN Bypass	N/A
LAN Interface	2 x QSFP28
LAN Speed	1/10/25/40/50/100 Gb/s
Host Interface	PCIe 4.0 x16
Operating Temp	0°C ~ 40°C
Humidity	5% ~ 90% RH, Non-condensing
Compliance	CE, FCC, RoHS
Support Device	PUZZLE-9030

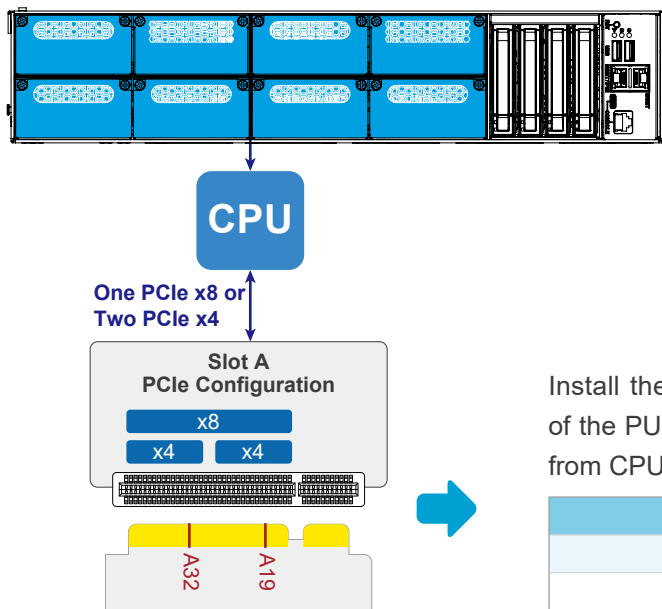
Ordering Information

Part No.	Description
PuIM-100G2SF-CX6	ConnectX-6 Dx dual 100GbE network IC support 1/10/25/40/50/100 Gb/s, Ethernet with Host Interface > PCIe Gen 3.0/4.0 x16 Cyber Security, Inline hardware IPsec encryption & decryption, Inline hardware TLS encryption & decryption, Data-at-rest AES-XTS encryption & decryption, Platform security : 1. Hardware root-of-trust, 2. Secure firmware update, Stateless Offloads, TCP/UDP/IP stateless offload > LSO, LRO, checksum offload, Advanced Timing & Synchronization, Storage Acceleration, RDMA over Converged Ethernet (RoCE)

Packing List

PuIM-100G2SF-CX6	2
------------------	---

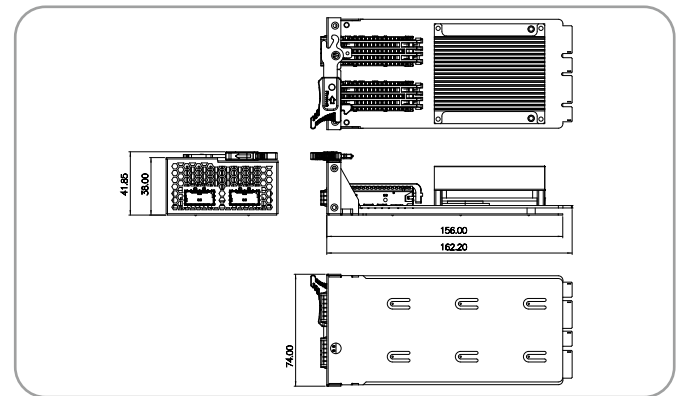
Hardware Installation



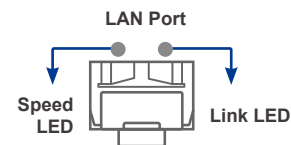
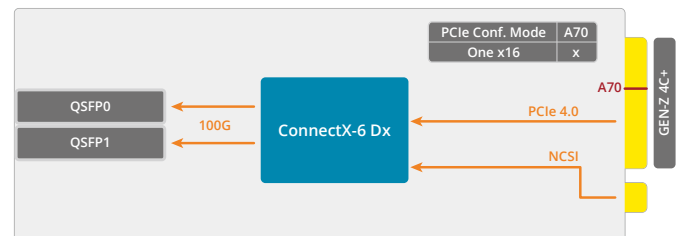
Features

- ConnectX-6 Dx dual 100GbE network IC supports 1/10/25/40/50/100 Gb/s
- Ethernet with host interface: PCIe Gen 3.0/4.0 x16 cyber security
- Inline hardware IPsec encryption & decryption
- Inline hardware TLS encryption & decryption
- Data-at-rest AES-XTS encryption & decryption
- Platform security: 1. Hardware root-of-trust, 2. Secure firmware update
- Stateless offloads
- TCP/UDP/IP stateless offload: LSO, LRO, checksum offload
- Advanced timing & synchronization
- Storage accelerations
- RDMA over Converged Ethernet (RoCE)

Dimensions (Unit: mm)



Block Diagram



LED	State	Description
Link (Right)	Yellow	Active
	Green	100Gbps data rate
Speed (Left)	Orange	Other data rate

Install the IEI PuIM-100G2SF-CX6 networking module into the slot of the PUZZLE-IN005. All slots support 8 lanes of PCIe Gen 4 signal from CPU (one PCIe x8 or two PCIe x4).

A19	A32	PCIe Config.
0	1	2x4
1	0	1x8