

Mobile Point-of-Care Terminal

POCm-W22C-RPL
POCm-W24C-RPL

22"/24" Medical Panel PC with 13th Gen Intel® Core™ i5/ i7 processor

Features

- 13th Gen Intel® Core™ i5/ i7 processor (Raptor Lake-P)
- Anti-bacteria housing with IP65 front bezel protection
- PCAP touch allows multi-touch, multi-layer gloves and water-on-screen operation
- Three hot-swappable batteries with a total runtime of 10-16 hours, ideal for non-powered medical carts



» Nursing efficiency & space optimization



▲ The 3 hot-swappable batteries can provide sufficient power for 10-16 hours

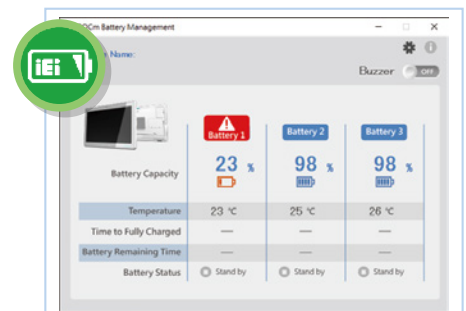
▲ Daily clinical workflow is optimized greatly with 6-bay stackable charging station.



IT Center

#/Mac Address	Temperature	Time to Fully Charged	Battery Remaining Time	Battery Status
192.168.1.119 00:18:7D:88:E3:5F	23 °C	hr -- min	hr -- min	Stand by
	44 °C	hr -- min	6 hr 26 min	In Use
	43 °C	hr -- min	6 hr 24 min	In Use
B1	— °C	hr -- min	hr -- min	Not present
192.168.1.172 10:C3:7B:95:17:EA	— °C	hr -- min	hr -- min	Not present
B2	— °C	hr -- min	hr -- min	Not present
B3	— °C	hr -- min	hr -- min	Not present

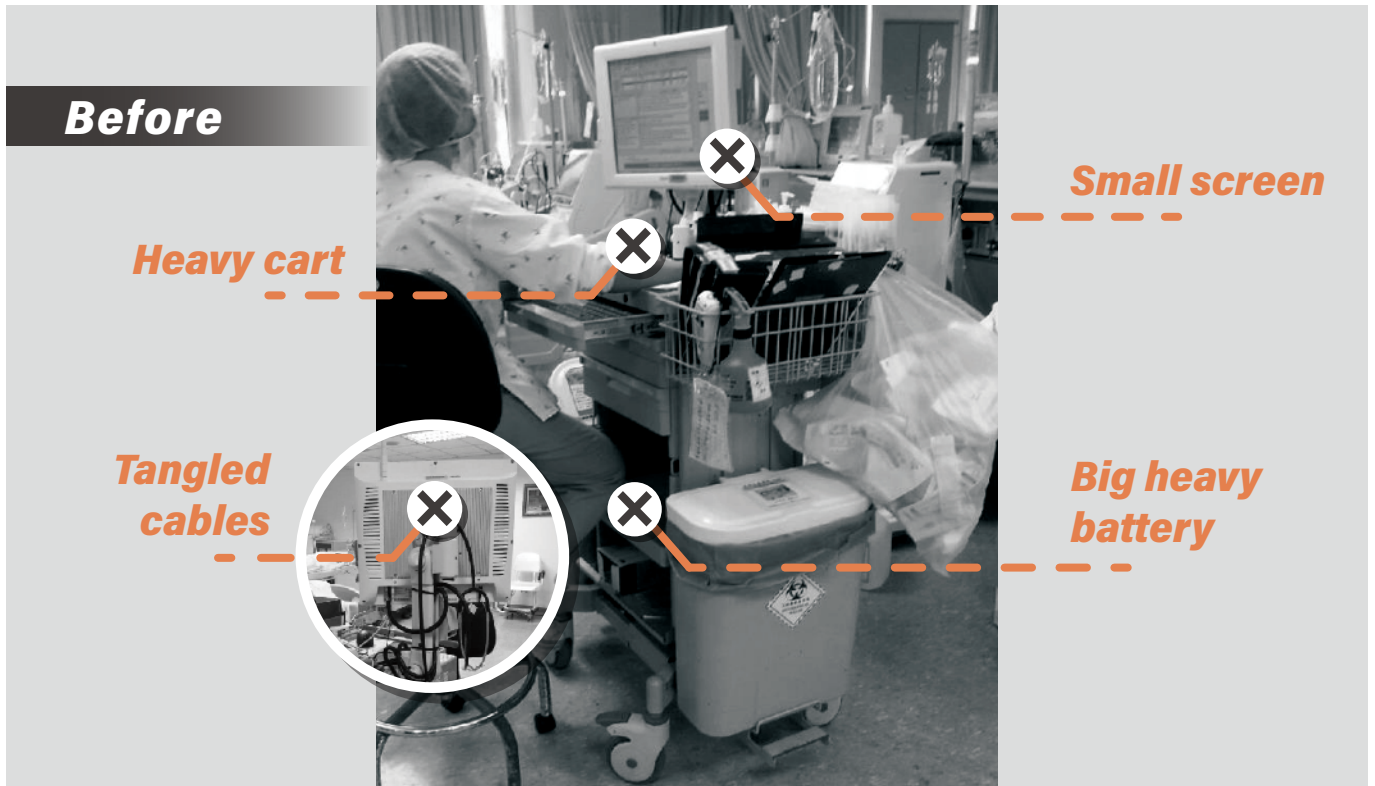
IEI Battery Monitoring App (Host)



IEI Battery Monitoring App (Client)

▲ IEI Battery Monitoring App

» Improving medical environment with IEI medical panel PC



Deploy IEI AIO Medical Panel PC
POCm Series



Specifications

Model		POCm-W22C-RPL	POCm-W24C-RPL	
LCD Specifications	LCD Size	21.5" (16:9)	23.8" (16:9)	
	Max. Resolution (W/H)	1920 x 1080		
	Brightness (cd/m ²)	350		
	Contrast Ratio	1000:1		
	LCD Color	16.7M (RGB 8-bit)		
	Pixel Pitch (H/V)	0.24795 (H) x 0.24795 (V) mm	0.2745 (H) x 0.2745 (V) mm	
	Viewing Angle (H/V)	178°/178°		
	Backlight MTBF (hrs)	50,000 (LED backlight)	30,000 (LED backlight)	
Touch	Touchscreen	Projected capacitive type with 10-point multi-touch		
	Touch Controller	EETI		
	Surface Hardness	6H		
System	CPU Support	13th Gen Intel® Core™ i5-1340PE/ i7-1370PE (Raptor Lake-P)		
	LAN Controller	2 x Intel® I225 Ethernet Controller		
	RAM	2 x 262-pin 4800MT/s dual-channel DDR5 SO-DIMM slots (system max. 64GB)		
	Storage	1 x 2.5" accessible SATA HDD bay 2 x M.2 2280 M key (PCIe) with RAID		
	Audio	2 x 2W speaker		
	Microphone	1 x Digital microphone		
	Camera	8-megapixel CMOS front-facing camera		
	I/O Port	Bottom	1 x DC jack 1 x Digital mic 1 x HDMI output 1 x USB Type-C (DP + USB 5V/3A) 1 x DC output (12V/19V/24V, 20-watt) 2 x 2.5GbE LAN port 1 x RS-232/422/485 port 4 x USB 3.2 Gen 2 (10Gb/s) port	Side 1 x Mic in 1 x Audio out 2 x USB 2.0 port
		OSD Function	1 x Power on/off 1 x Volume up 1 x Volume down	1 x Brightness up 1 x Brightness down 1 x LCD on/off and touch lock for cleaning
	Expansion	1 x PCIe Mini (PCIe) 1 x M.2 2230 A-E key (PCIe+USB) 2 x M.2 2260/80 B-M key (PCIe)		
	LED	1 x RFID indicator 1 x Power indicator 3 x Battery indicator (color: blue/red)		
	Wi-Fi & Bluetooth	IEEE 802.11ax 2T2R module (Wi-Fi 6E) with BT v5.2 (M.2 2230 A-E key)		
	Physical	Construction Material	ABS+PC plastic (ENH2900)	
Mounting		Wall, Stand and Arm; VESA 75/100 compliant		
Weight (Net)		7.07 kg (without battery)	8.18 kg (without battery)	
		8.43 kg (with 3 batteries)	9.53 kg (with 3 batteries)	
Dimensions (LxWxH)	543 x 350 x 71 mm	594.6 x 379.6 x 71 mm		
Environment	Operating Temperature	0°C – 40°C		
	Storage Temperature	-20°C – 60°C		
	Humidity	10% – 90% (non-condensing)		
	Vibration	1G		
	Shock	Operating shock: 5G peak acceleration (11ms duration) Non-operating shock: 10G peak acceleration (11ms duration)		
	IP Level	Front: IP65		
	Thermal	Fanless		
Power	Power Input	19V DC input		
	Power Adapter	150W medical power adapter		
	Battery	3 slots for Li-ion battery packs		
Certification	EMC & Safety	CE, FCC Class B Part18 EN 60601-1: 2006/A1:2013 (Edition 3.1) EN 60601-1-2: 2015 (Edition 4.0)		

Ordering Information

Part No.	Description	
22"	POCm-W22C-RPL-i5/PC-R10	21.5" 350cd/m ² FHD medical panel PC with 13th generation 10nm Intel®Raptor Lake-P Core™ i5-1340PE 4.4GHz on-board processor,802.11a/b/g/n/ac/ax Wi-Fi 6E module,PCAP touchscreen,8M camera, D-mic,w/o battery,R10
	POCm-W22C-RPL-i7/PC-R10	21.5" 350cd/m ² FHD medical panel PC with 13th generation 10nm Intel®Raptor Lake-P Core™ i7-1370PE 4.5GHz on-board processor,802.11a/b/g/n/ac/ax Wi-Fi 6E module,PCAP touchscreen,8M camera, D-mic,w/o battery,R10
	POCm-W22CR-RPL-i5/PC-R10 *	21.5" 250cd/m ² FHD CR 3000 medical panel PC with 13th generation 10nm Intel®Raptor Lake-P Core™ i5-1340PE 4.4GHz on-board processor,802.11a/b/g/n/ac/ax Wi-Fi 6E module,PCAP touchscreen,8M camera,D-mic,w/o battery,R10
	POCm-W22CR-RPL-i7/PC-R10 *	21.5" 250cd/m ² FHD CR 3000 medical panel PC with 13th generation 10nm Intel®Raptor Lake-P Core™ i7-1370PE 4.5GHz on-board processor,802.11a/b/g/n/ac/ax Wi-Fi 6E module,PCAP touchscreen,8M camera,D-mic,w/o battery,R10
24"	POCm-W24C-RPL-i5/PC-R10	23.8" 350cd/m ² FHD medical panel PC with 13th generation 10nm Intel®Raptor Lake-P Core™ i5-1340PE 4.4GHz on-board processor,802.11a/b/g/n/ac/ax Wi-Fi 6E module,PCAP touchscreen,8M camera, D-mic,w/o battery,R10
	POCm-W24C-RPL-i7/PC-R10	23.8" 350cd/m ² FHD medical panel PC with 13th generation 10nm Intel®Raptor Lake-P Core™ i7-1370PE 4.5GHz on-board processor,802.11a/b/g/n/ac/ax Wi-Fi 6E module,PCAP touchscreen,8M camera, D-mic,w/o battery,R10
	POCm-W24CR-RPL-i5/PC-R10 *	23.8" 250cd/m ² FHD CR 3000 medical panel PC with 13th generation 10nm Intel®Raptor Lake-P Core™ i5-1340PE 4.4GHz on-board processor,802.11a/b/g/n/ac/ax Wi-Fi 6E module,PCAP touchscreen,8M camera,D-mic,w/o battery,R10
	POCm-W24CR-RPL-i7/PC-R10 *	23.8" 250cd/m ² FHD CR 3000 medical panel PC with 13th generation 10nm Intel®Raptor Lake-P Core™ i7-1370PE 4.5GHz on-board processor,802.11a/b/g/n/ac/ax Wi-Fi 6E module,PCAP touchscreen,8M camera,D-mic,w/o battery,R10

* By order production

Options

Item	Number	Description
RFID	19XS0Z768-0006301-000-RS	RFID Module, 13.56MHz/125KHz, IEI assembly only
TPM	TPM-IN03-R10	20-pin Infineon SPI TPM 2.0 module, software management tool, firmware V7.63
Charging Docking Station	POCm-DOCKING-6BAY-R10	6-slot battery charger, LED indicator, 15V/280W power adapter
OS Image	POCm-RPL-W11E64-H-R10	OS image with Windows Embedded Standard 11 E High End 64-bit 2021 for POCm-W22C/W24C RPL Series
	POCm-RPL-W11E64-V-R10	OS image with Windows Embedded Standard 11 E Value 64-bit 2021 for POCm-W22C/W24C RPL Series
Cable Cover	43106-0272Q7-00-RS	Cable cover for POCm, white, plastic, R10, IEI assembly only
Battery	31603-000106-RS	3S3P GA Li-ion battery pack, 10.8V, 9000mAh, CCL, RoHS, IEI assembly only

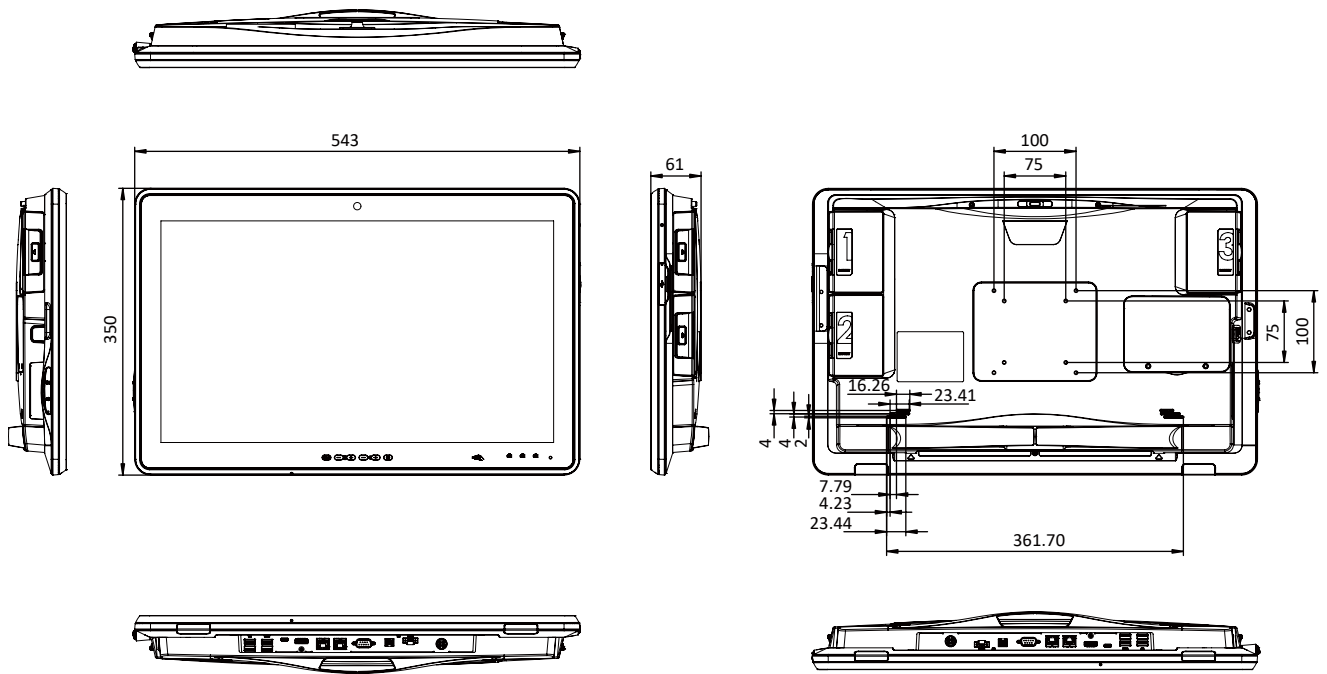
IQ Mounting Options

Item	Part No.
Arm	ARM-31-RS
Stand	STAND-A21-R10 (black)
	STAND-A21W-R10 (white)

Packing List

Item	Q'ty	Remark
Power Adapter	1	150W medical power adapter
Power Cord	1	European power cord, 180 cm, C13

POCm-W22C-RPL
Dimensions (Unit: mm)



POCm-W24C-RPL
Dimensions (Unit: mm)

