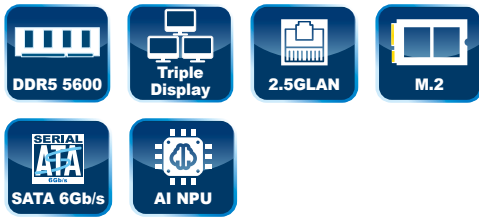


# DRPC-243-MTL

- Fanless DIN-Rail Embedded System
- Intel® Core™ Ultra Processors (Series 1)(Meteor Lake platform)

## Features

- Supported CPUs:
  - Intel® Core™ Ultra Processors (Series 1)(Meteor Lake platform)
  - Intel® Core™ Ultra 7 155U (up to 4.8GHz, 12-core, 15W TDP)
  - Intel® Core™ Ultra 5 125U (up to 4.3GHz, 12-core, 15W TDP)
- 4 x USB 3.2 Gen2 & 2 x USB 2.0
- Triple independent display (HDMI™ + DP + USB-C)
- 2 x RS-232 & 2 x RS-422/485 (with 2.5KV isolation)
- CE/FCC compliant



## Specifications

Model Name		DRPC-243-MTL-U5AD	DRPC-243-MTL-U7AD	
Chassis	Dimensions	190 (W) x 150 (D) x 81 (H) mm		
	System fan	Fanless (External fan optional)		
	Chassis Construction	Extruded Aluminum alloys		
Motherboard	CPU	Intel® Core™ Ultra 5 125U (up to 4.3GHz, 12-core, 15W TDP)	Intel® Core™ Ultra 7 155U (up to 4.8GHz, 12-core, 15W TDP)	
	Chipset	SoC		
	Memory	2 x SO-DIMM slot DDR5 5600 MHz (16 GB pre-installed) (up to 96GB)		
Storage	Hard drive	1 x 2.5" SATA 6Gb/s SSD bay		
I/O Interfaces	USB	4 x USB 3.2 Gen2 Type-A 2 x USB 2.0 Type-A		
	Ethernet	1 x 2.5 GbE by Intel® I226LM controller 2 x 2.5 GbE by Intel® I226-V controller		
	COM	2 x RS-232 (DB9 with 2.5KV isolation) 2 x RS-232 (optional) 2 x RS-422/485 with AFC (DB9 with 2.5KV isolation)		
	DIO	1 x 12-bit(6-in, 6-out)(optional)		
	Display	1 x HDMI™ 1.4b (up to 4K@30Hz) 1 x DP 1.4b (up to 4K@60Hz) 1 x USB-C (up to 4K@60Hz Display, supports 40Gbps data transfer, 15W power delivery)		
	TPM	Intel® PTT (Firmware TPM 2.0) Optional TPM module via 20-pin header (IEI TPM module P/N:TPM-IN03)		
	Others	1 x Power button, 1 x 2-pin terminal block for Remote Power Button, 1 x Reset button, 1 x AT/ATX switch, 1 x Power LED (green), 1 x SSD LED(yellow,for M.2 M-KEY), 4-pin external fan connector		
	Expansions	M.2	1 x 2230 A-key (PCIe Gen4 x1/ USB2.0) 1 x 3042/52 B-key (PCIe Gen4 x1/ USB3.2 Gen2/ USB2.0) 1 x On-board SIM card socket (hinge type) for M.2 B key 1 x 2280 M-key (PCIe Gen4 x4)	
		Backplane	1 x PCIe Gen4 x4 (optional)	
	Power	Power input	3-pin terminal block: 12 ~ 28 VDC	
Internal Power		4-pin 60w @12V		
Consumption		24V @ 3A(Intel® Core™ Ultra5 125U with 16GB memory)		
Reliability	Mounting	DIN-Rail, Wall Mount		
	Operating Temp	-20°C ~ 60°C (with SSD)		
	Storage Temp	-25°C ~ 85°C		
	Humidity	10% ~ 95%, non-condensing		
	Operating shock	IEC 60068-2-27 half-sine, 5G, 11ms, 100 shocks with SSD		
	Operating vibration	MIL-STD-810H 514.8C-I with SSD		
	Weight (Net/Gross)	1.6/2.4 KG		
Safety/EMC	CE, FCC			
OS	Supported OS	Microsoft® Windows 10 / 11, Linux		

### Built-in Intel® Core™ Ultra Processors (Series 1)(Meteor Lake platform)

Next-generation Edge/IoT platform powered by Intel® Core™ Ultra series 1, built on the Intel 4 process, delivers industry-leading performance per watt.

Integrated Intel® Arc™ Graphics boosts AI and graphics workloads with up to 50% AI performance improvement over previous generations.

With a hybrid architecture of up to 12 cores and 14 threads, it delivers up to +10% single-thread, +24% multi-thread CPU performance, and up to 1.9× near discrete-class graphics performance versus the Intel® Alder Lake-U platform.

CPU Mark Rating As of 29th of January 2026 - Higher results represent better performance		
Intel Core Ultra 5 125U		16,989
Intel Core i7-1255U		13,086

PassMark Software © 2008-2026

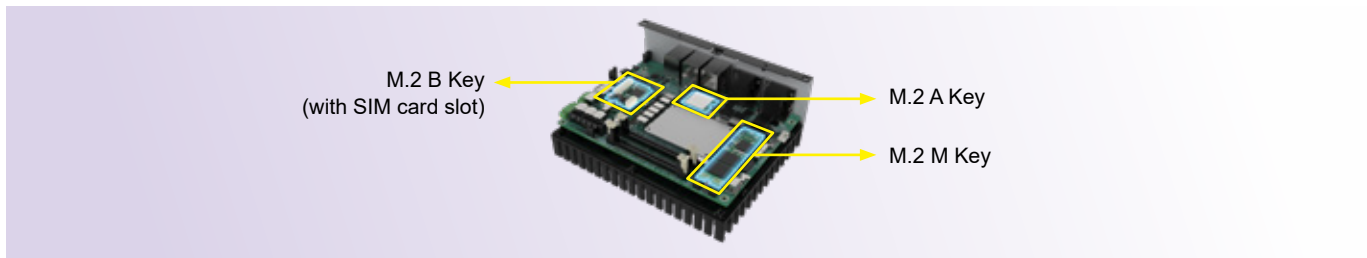
### Built-in Intel® I226-LM (V) 2.5GbE Controllers

three RJ-45 Ethernet ports on the I/O panel through Intel® I226LM/I226-V GbE controllers provide up to 2.5G network transmission rate.

### USB 3.2 Gen 2 Ports, up to 10Gb/s

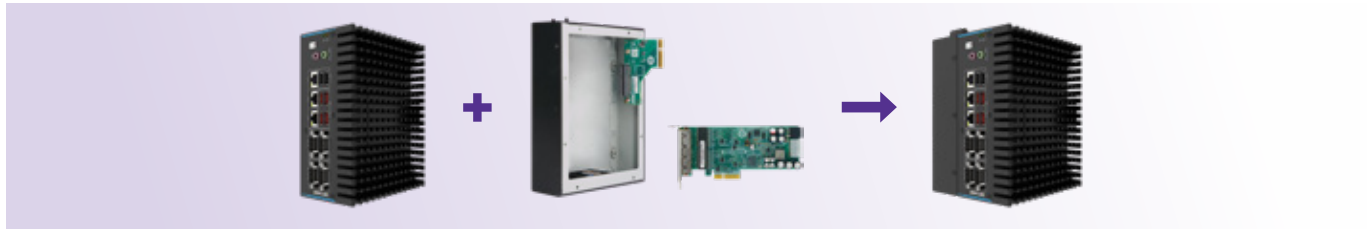
### Internal M.2 Expansion

The system board has 1 M.2 A Key, 1 M.2 B key, and 1 M.2 M Key. E key supports Wi-Fi or Bluetooth expansion; M Key supports NVMe storage, and B Key (with SIM card holder) supports 4G/5G modules or accelerator cards.



### Support Chassis Expansion

The expansion chassis provides one PCIe x4 slot for IEI Mustang accelerator card.

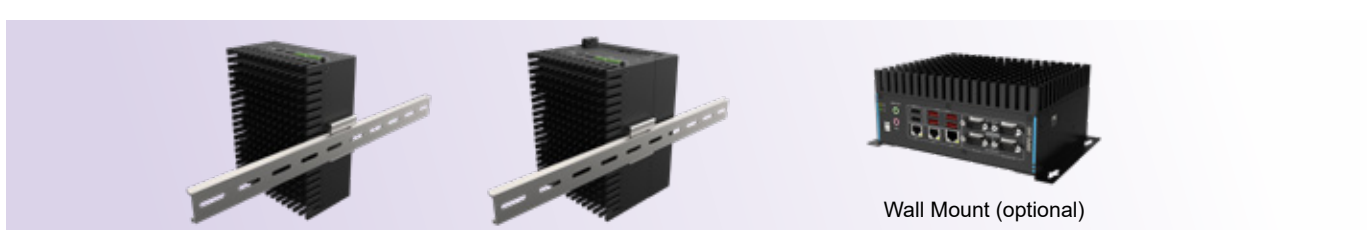


### External Fan

Installing an external fan helps to increase system performance in harsh environment.

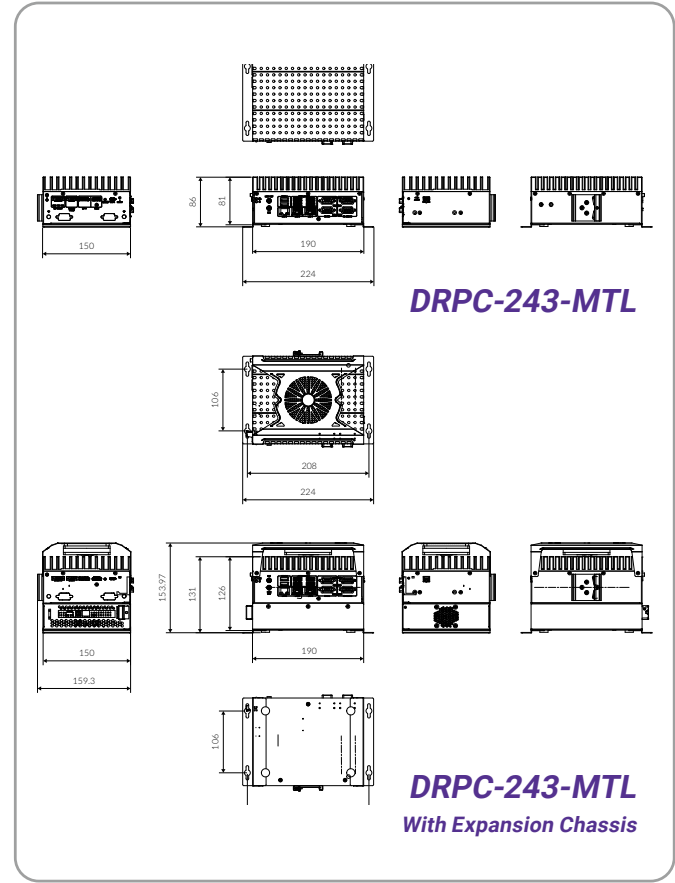
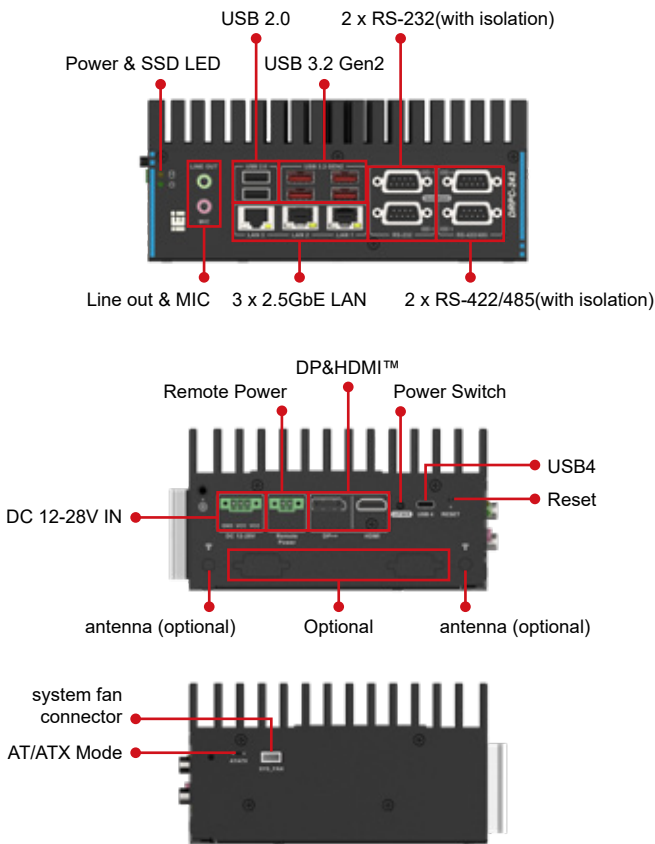


### Support DIN-rail Mount



Fully Integrated I/O

Dimensions (Unit: mm)



Ordering Information

Part No.	Description
DRPC-243-MTL-U5AD-R10	Embedded system with Intel® Core™ Ultra 5 125U, pre-installed 1x 16GB DDR5, HDMI™/DP/USB4, 3x 2.5GbE LAN, 4x COM, 6x USB, 12~28V DC, RoHS
DRPC-243-MTL-U7AD-R10	Embedded system with Intel® Core™ Ultra 7 155U, pre-installed 1x 16GB DDR5, HDMI™/DP/USB4, 3x 2.5GbE LAN, 4x COM, 6x USB, 12~28V DC, RoHS

Options

Item	Part No.	Description
WIFI Module	EMB-WIFI-KIT02I3-R10	2T2R M.2 wifi module kit for embedded system, IEEE802.11a/b/g/n/ac/ax, 1 x M.2 AE Key Wireless LAN & Bluetooth 5.2; Intel; AX210.NGWG Module, 2 x RF cable, 2 x Antenna; RoHS
External FAN Module	SF-DRPC-240-R10	External fan for DRPC-24x Serial
Expansion Chassis	TXC-DRPC-240-1S-R10	DRPC-240 Series 1 Slot Expansion Chassis with Riser Card
DIO Cable	32031-000601-100-RS	ROUND CABLE;DIO CABLE;;2;250mm;28AWG;(A)D-SUB 15P MALE;(B)DU PONT 2*7P P=2.0
COM Cable	32205-005401-100-RS	RS-232/422/485 CABLE; 250mm;(A)D-SUB 9P MALE; (B)DU PONT 2 x 5P P=2.0 FEMALE
Power Cord	32702-003600-100-RS	POWER CORD; EUROPEAN CODE(VDE); 1000mm;(A)PLUG:LT-322(16A 250V); (B)CONNECTOR:LT-501(10A 250V)
DC Power Conversion Cable	32102-054800-100-RS	WIRE CABLE;POWER CABLE;;2;200mm;18AWG;300V;(A)POWER DIN 4P FEMALE;(B)TERMINAL BLOCK-3P P=3.5;Wins Precision;C24210816-0;RoHS
Power Adapter	63040-010180-200-RS <sup>1</sup>	Adapter Power;FSP;FSP180-ABAN3;9NA1804008;Active PFC;Vin:90~264VAC;180W;Dim:75.6*151.3*25.4mm;Plug=6.5mm;Cable=1500mm;Erp(NO LOAD 0.5W);Vout:19VDC;Din 4Pin/lock;CCL;RoHS
Power Adapter	63040-010120-300-RS <sup>1</sup>	Adapter Power;FSP;FSP120-AHAN3;9NA1206708;Active PFC;Vin:90~264VAC;120W;Dim:75.6*151.3*25.4mm;Plug=6.5mm;Cable=1500mm;Erp(NO LOAD 0.15W);Vout:12VDC;Din 4Pin/lock;CCL;RoHS
Wall Mount Kit	41020-0578C2-00-HF <sup>2</sup>	WALL MOUNT BRACKET; NCT processing formation; DRPC-24x Series
TPM Module	TPM-IN03-R10	20-pin Infineon SPI TPM2.0 module, software management tool
M.2 SSD Heatsink	M2-SSD-HS-01	M.2 2280 SSD Heatsink, Rated for 3 W heat dissipation

<sup>1</sup> The power adapter needs to be used with the 32102-054800-100-RS DC Power Conversion Cable or process the wire by yourself

<sup>2</sup> Wall Mount Bracket quantity required 2.

Packing List

1 x DIN-Rail mounting kit	1 x Screw pack	1 x Terminal block
---------------------------	----------------	--------------------