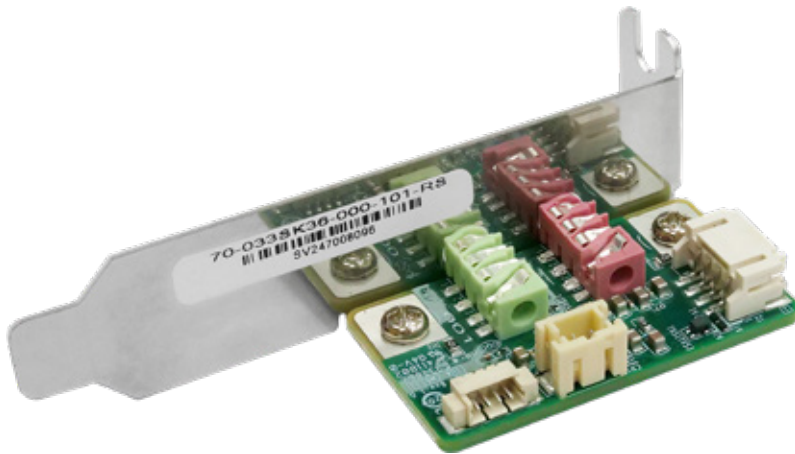


iUA-CM6533

USB AUDIO BOARD



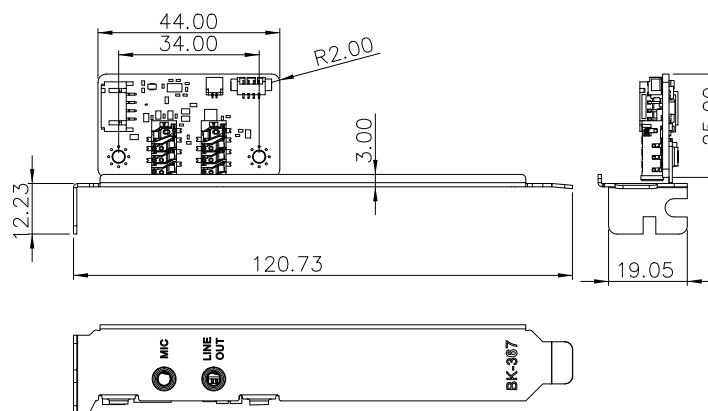
Features

- C-MEDIA CM6533 Audio Chip
- USB2.0 interface
- Two audio jacks for mic in & line out
- Built-in two 1.5W power amplifier speaker outputs

Specifications

Model	iUA-CM6533
Interface	USB2.0 (1*4pin, P=2.0)
Audio IC	CM6533
Output	1 x MIC in (audio jack) 1 x Line out (audio jack) 2 x Speaker out 4pin P=1.25mm (1.5W amplifier)
Bracket	Half-height bracket
Operating Temperature	0°C ~ 60°C
Operating Humidity	10% ~ 95%, non-condensing
Storage Temperature	-30°C ~ 70°C
Dimensions	44mm x 25mm

Dimensions (mm)



Packing List

1 x iUA-CM6533 audio board	1 x USB cable (210mm,2.0 to 2.0 Pitch)
1 x USB cable (210mm,2.0 to 2.54 Pitch)	

Ordering Information

Part No.	Description
iUA-CM6533-R10	IEI USB Audio adapter board, small size, Mic in, Amplifier speaker output, Line-out, RoHS