

# iRIS2-2600 / 2620

IPMI 2.0 adapter card with AST2600/2620 BMC chip  
for IEI IRIS2 Connector IPMI 2.0 module

- IPMI 2.0 based remote management
- Out-of-Band management
- Hardware health monitor
- Secured remote KVM or virtual media
- Remote power control
- Local DisplayPort V1.1a



iRIS2-2600

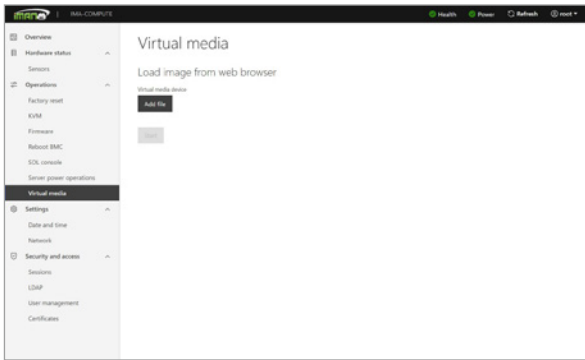
iRIS2-2620



[www.ieiworld.com](http://www.ieiworld.com)

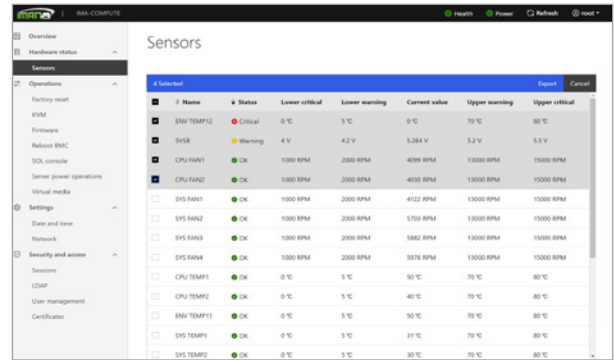
# iMAN-V2 Simple and Intuitive Web-Based Portal

Remote access to scattered devices located on-site with iMAN, the intuitive and user-friendly cloud portal. Combining all the data and information from IEI hardware into a single unified portal



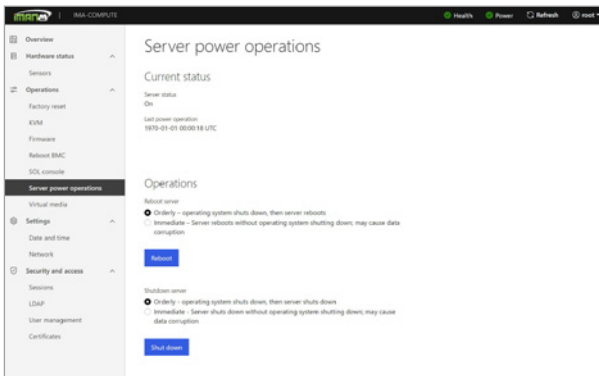
## Virtual Media

function allows you to perform diagnostic testing, file transfer, and OS and application patches from a remote console. There is no need to physically load a CD directly to the server to perform data-related tasks. Conveniently and efficiently troubleshoot and resolve the problems from anywhere



## System Health

This feature displays the status of each sensor used to monitor system health as shown in list.



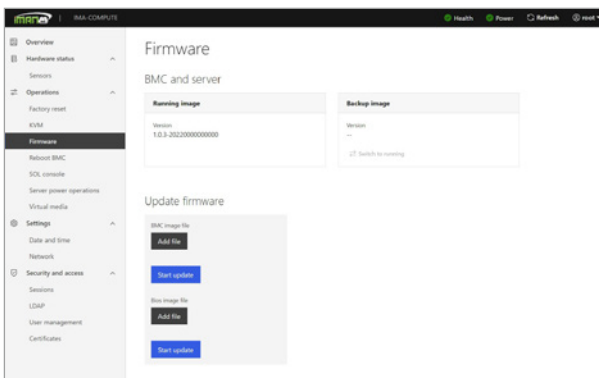
## Force Shutdown & Power Back

Resolves system errors by force shutting down and powering back ON unresponsive devices with Out-Of-Band (OOB) technology



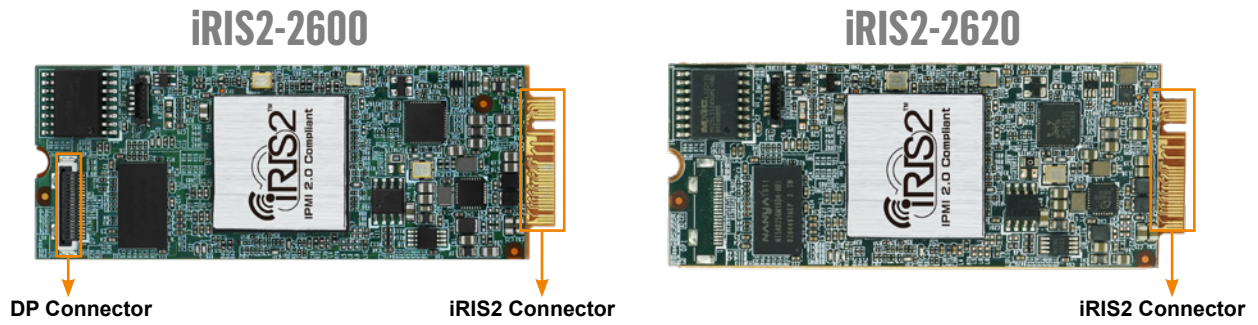
## KVM-Over-IP for Video Redirection

Resolves system errors by force shutting down and powering back ON unresponsive devices with Out-Of-Band (OOB) technology

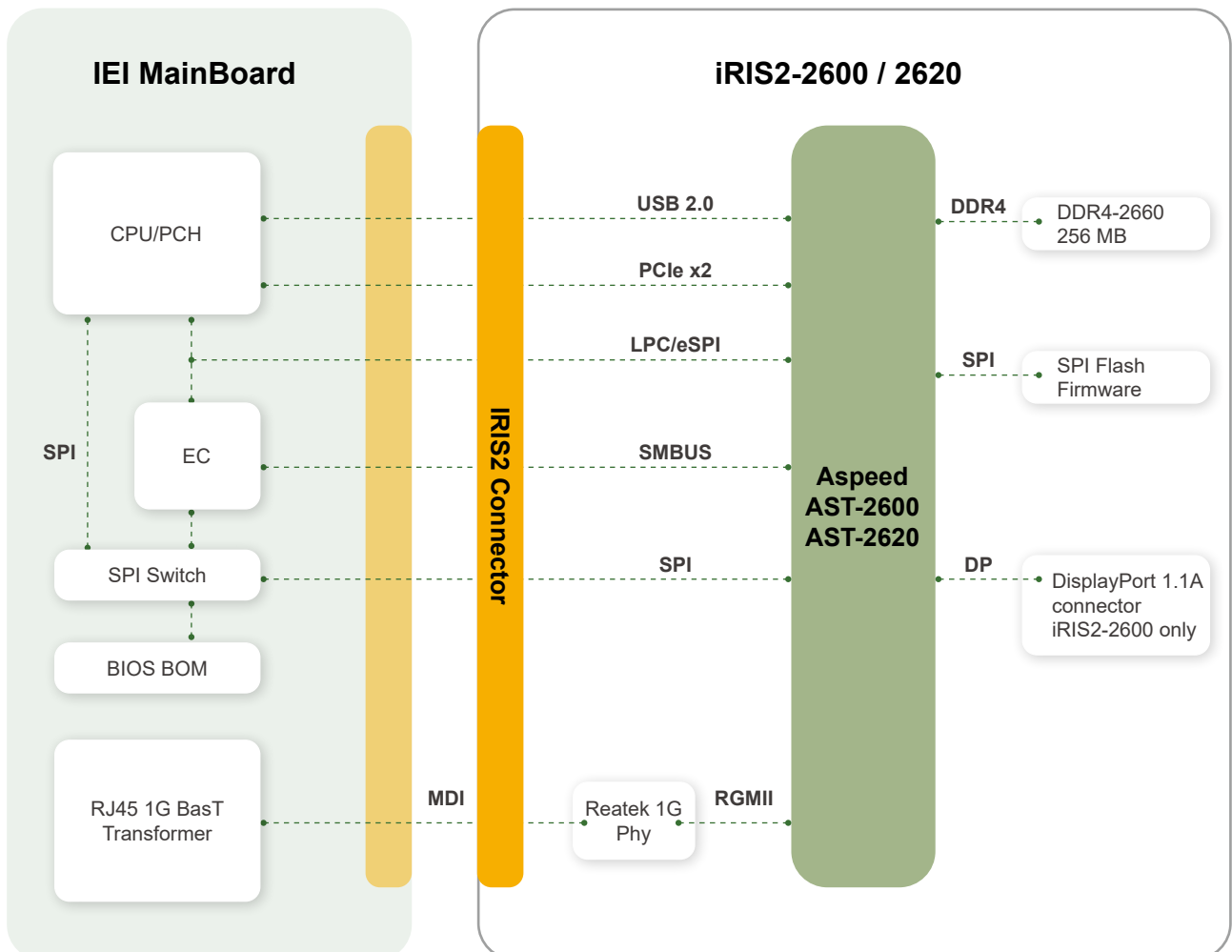


## BIOS and BMC Firmware Update

Deploys new updates to all edge devices



## Block Diagram

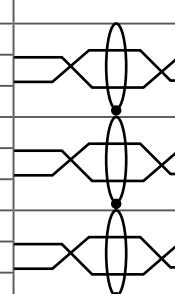


## IEI iRIS2 Connector Pin Define

KEY B On Platform			
Pin Name	Pin No.	Pin No.	Pin Name
3.3 V	74	75	NC
3.3 V	72	73	GND
3.3 V	70	71	NC
BMC_Tx (Uart)	68	69	GND
ESPI_LPC	66	67	BMC_Rx (Uart)
LPC_AD3/ESPID3	64	65	LPC_SERIRQ/ESPIALT_N
LPC_AD2/ESPID2	62	63	LPC_CLK/ESPICK
LPC_AD1/ESPID1	60	61	LPC_FRAME_N/ESPICS_N
LPC_AD0/ESPID0	58	59	LPC_RST_N/ESPIRST_N
SPI_MISO	56	57	GND
PCIE_WAKE#	54	55	DIF_PCIE_EP_CLK_P
CLKREQ#	52	53	DIF_PCIE_EP_CLK_N
PCIE_RST#	50	51	GND
SPI_MOSI	48	49	DIF_PCIE_EP_RX_P
SPI_CLK	46	47	DIF_PCIE_EP_RX_N
SPI_CS0	44	45	GND
SMBUSDAT1_EC(1.8V)	42	43	DIF_PCIE_EP_TX_P
SMBUSCLK1_EC(1.8V)	40	41	DIF_PCIE_EP_TX_N
NC	38	39	GND
GBE_LED_100M	36	37	NC
MDI0_P	34	35	NC
MDI0_N	32	33	GND
MDI1_P	30	31	NC
MDI1_N	28	29	NC
MDI2_P	26	27	GND
MDI2_N	24	25	NC
MDI3_P	22	23	NC
MDI3_N	20	21	GND
	18	19	
	16	17	
	14	15	
	12	13	
	10	11	GND
GBE_LED_LINK_ACT#	8	9	USB2.0-
GBE_LED_1G	6	7	USB2.0+
3.3 V	4	5	GND
3.3 V	2	3	GND
		1	GND

## DP Cable Pin Define

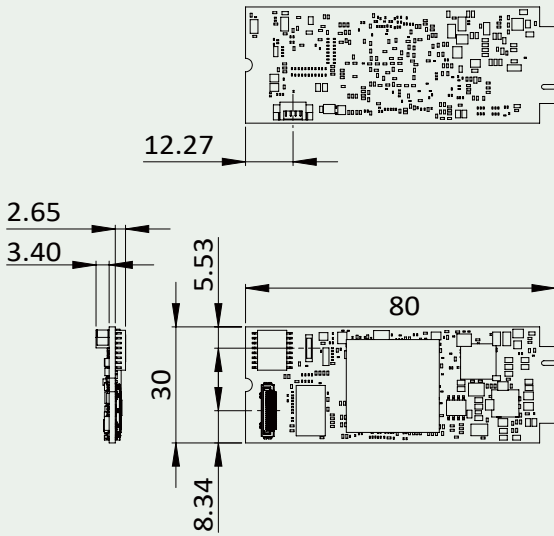
IMP.	Signal Data	P1	P2
	CONFIG 1	1	13
	CONFIG 2	2	14
	GND	3	11
	GND	4	16
	GND	5	16
	NC	6	
	NC	7	
	NC	8	
	VCC	9	20
	VCC	10	20
	DP_HPD-R	11	18
100Ω +/-15%	DIF_DP_AUX-N-C	12	17
	DIF_DP_AUX-P-C	13	15
	GND	14	8
100Ω +/-15%	DIF_DP_CONN_TX1-N	15	6
	DIF_DP_CONN_TX1-P	16	4
	GND	17	5
100Ω +/-15%	DIF_DP_CONN_TX0-N	18	3
	DIF_DP_CONN_TX1-N	19	1
	GND	20	2



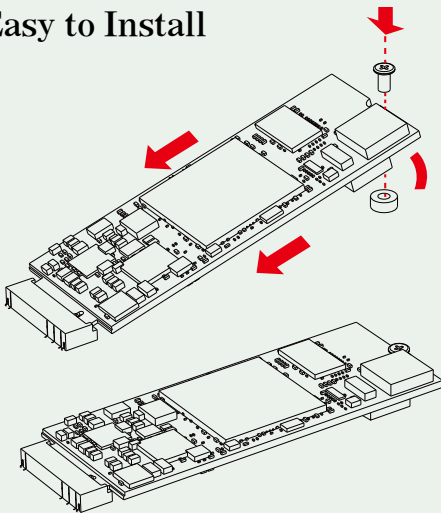
## DP PIN Define

IRIS2-2600	Signal Data
1	CONFIG 1
2	CONFIG 2
3	GND
4	GND
5	GND
6	NC
7	NC
8	NC
9	VCC
10	VCC
11	DP_HPD-R
12	DIF_DP_AUX-N-C
13	DIF_DP_AUX-P-C
14	GND
15	DIF_DP_CONN_TX1-N
16	DIF_DP_CONN_TX1-P
17	GND
18	DIF_DP_CONN_TX0-N
19	DIF_DP_CONN_TX1-N
20	GND

Dimensions



Easy to Install



Optional Accessories



Specifications

Model	iRIS2-2600	iRIS2-2620
IPMI 2.0 Based Management	BMC stack with a full IPMI 2.0 implementation Customizable sensor management	BMC stack with a full IPMI 2.0 implementation Customizable sensor management
Hardware Health Monitor	System/CPU temperature Fan speed Voltage Chassis intrusion Power supply failed FRU (Field Replaceable Unit)	System/CPU temperature Fan speed Voltage Chassis intrusion Power supply failed FRU (Field Replaceable Unit)
Event Log	BIOS event Hardware health monitor event Sensor readings	BIOS event Hardware health monitor event Sensor readings
Hardware Status	Sensors	Sensors
LDAP Support	Direct LDAP support from the device Open LDAP (Generic LDAP) supported	Direct LDAP support from the device Open LDAP (Generic LDAP) supported
Media Redirection	Virtual Media allows users to remotely mount given ISO/IMG drive images through BMC to Server Completely secured (Authenticated or Encrypted) remote KVM or virtual media	Virtual Media allows users to remotely mount given ISO/IMG drive images through BMC to Server
Remote Power Control	Remote power control Keyboard, Video & Mouse (KVM) over IP (iRIS2-2600 only) Serial over LAN (SOL)	Remote power control Serial over LAN (SOL)
User Management	IPMI based user management Added security with SSL (HTTPS) Multiple user permission level Multiple user profiles	IPMI based user management Added security with SSL (HTTPS) Multiple user permission level Multiple user profiles
Web-based Configuration	Full configuration using web UI Fail-safe firmware upgrade Multi-language support in Web interface with English as the currently supported language	Full configuration using web UI Fail-safe firmware upgrade Multi-language support in Web interface with English as the currently supported language
Dimension (LxWxH)	30mm x 80mm x 7.6mm	30mm x 80mm x 7.6mm
Weight	18g	18g

Optional Accessories

32134-000100-100-RS	Wire cable; Displayport cable; DP 1.1a; 150mm
---------------------	---

Ordering Informaiton

iRIS2-2600-R10	IPMI 2.0 adapter card with AST2600 BMC chip with KVM function for iEi iRIS2 Connector IPMI 2.0 module
iRIS2-2620-R10	PMI 2.0 adapter card with AST2620 BMC chip for iEi iRIS2 Connector IPMI 2.0 module

