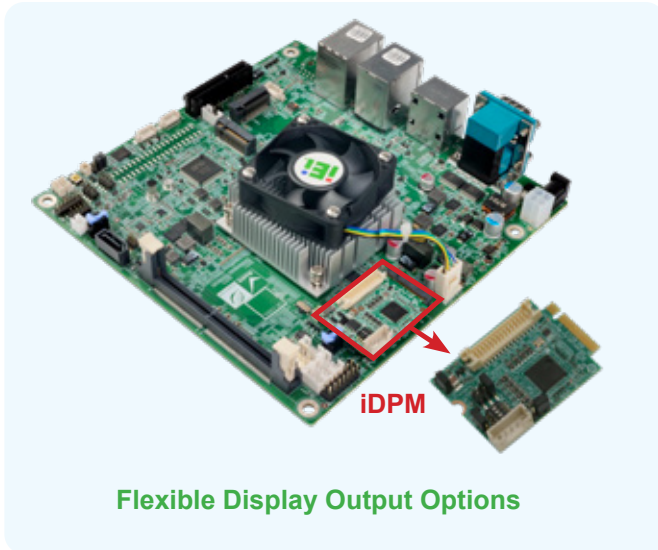


IEI iDPM Introduction

iDPM (IEI Internal DisplayPort Module)

The iDPM connector is provided on the IEI products. Through the IEI iDPM converter cards, the iDPM connector can support different display specifications, such as VGA, DisplayPort, and LVDS.



Flexible Display Output Options



Easy Installation in the Chassis

iDPM Supported Models

KINO-ADL-P	KINO-ADLPS	WAFER-EHL-x6000	PICOe-EHL
WAFER-EHL2	KINO-EHL2	WAFER-ADL-N	WAFER-ADL-P

iDPM-LVDS

eDP to 24-bit Dual-channel LVDS Converter Board
(for IEI iDPM Slot)

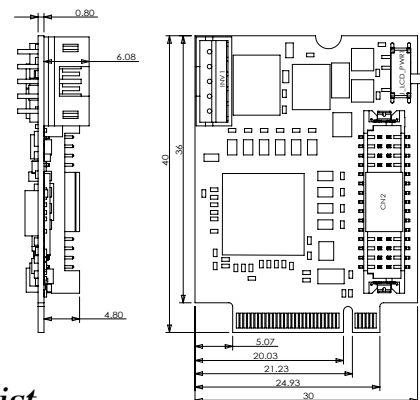
- eDP to LVDS output



Specifications

Model	iDPM-LVDS
Form Factor	iDPM 3040 slot (IEI-defined B key)
Display Output	1 x LVDS 24-bit dual-channel
Display IC	Chrontel - CH7511B (DP to LVDS)
Power	On board 3.3V ~ 12V
Operating Temperature	0°C ~ 60°C
Operating Humidity	5% ~ 95, non-condensing
Dimensions (LxW)	40 mm x 30 mm
Safety	CE/FCC compliant

Dimensions (mm)



Packing List

1 x iDPM-LVDS converter module

Ordering Information

Part No.	Description
iDPM-LVDS-R10	eDP to 24-bit dual-channel LVDS converter board (for IEI iDPM slot)

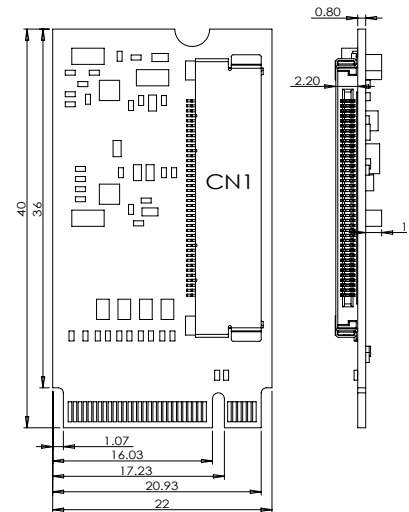
iDPM-eDP

eDP to eDP Converter Board
(for IEI iDPM Slot)

• eDP to eDP output



Dimensions (mm)



Specifications

Model	iDPM-eDP
Form Factor	iDPM 2240 slot (IEI-defined B key)
Internal Connector	1 x eDP connector (1x40 pin)
Power	On board 3.3V ~ 12V
Operating Temperature	0°C ~ 60°C
Operating Humidity	5% ~ 95, non-condensing
Dimensions (LxW)	40 mm x 30 mm
Safety	CE/FCC compliant

Packing List

1 x iDPM-eDP converter module

Ordering Information

Part No.	Description
iDPM-eDP-R10	eDP to eDP converter board (for IEI iDPM slot)

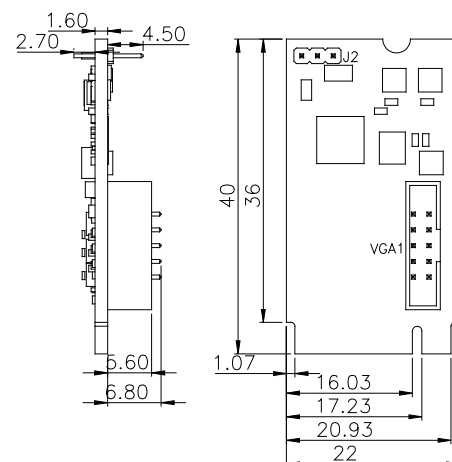
iDPM-VGA

eDP to VGA Converter Board
(for IEI iDPM Slot)

• eDP to VGA output



Dimensions (mm)



Specifications

Model	iDPM-VGA
Form Factor	iDPM 2240 slot (IEI-defined B key)
Display Output	1 x VGA pin-header
Power	On board 3.3V ~ 12V
Operating Temperature	0°C ~ 60°C
Operating Humidity	5% ~ 95, non-condensing
Dimensions (LxW)	40mm x 22mm
Safety	CE/FCC compliant

Packing List

1 x iDPM-VGA converter module

1 x VGA Cable

Ordering Information

Part No.	Description
iDPM-VGA-R10	eDP to VGA converter board (for IEI iDPM slot)

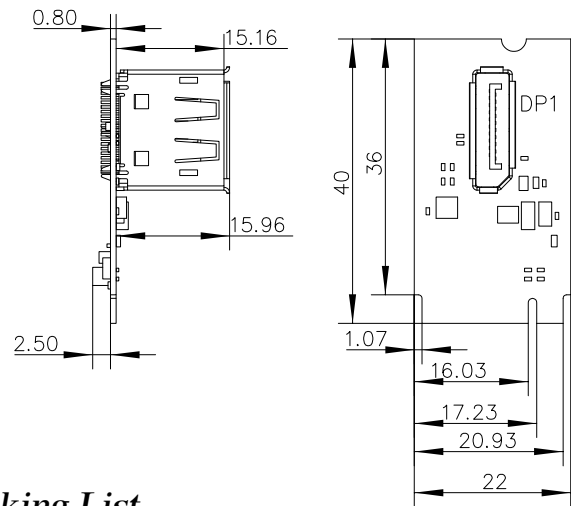
iDPM-DP

DisplayPort extension board (For iDPM connector), RoHS

- DisplayPort output
- Resolution support up to DP1.4 4K 60Hz (Max: 4096 * 2304)



Dimensions (mm)



Specifications

Model	iDPM-DP
Form Factor	iDPM 2240 slot (IEI-defined B key)
Internal Connector	1 x DP connector
Power	On board 3.3V ~ 12V
Operating Temperature	0°C ~ 60°C
Operating Humidity	5% ~ 95, non-condensing
Dimensions (LxW)	22 mm x 40 mm
Safety	CE/FCC compliant

Packing List

- 1 x iDPM-DP extension board
- 1 x QIG

Ordering Information

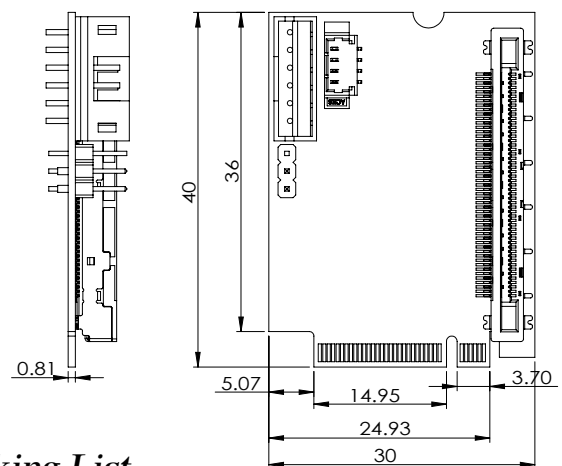
Part No.	Description
iDPM-DP-R10	DisplayPort extension board (For iDPM connector), RoHS

iDPM-VBO

DisplayPort extension board (For iDPM connector), RoHS



Dimensions (mm)



Specifications

Model	iDPM-VBO
Form Factor	iDPM 3040 slot (IEI-defined B key)
Internal Connector	1 x 52 pin V-BY-ONE header
Power	On board 3.3V ~ 12V
Operating Temperature	0°C ~ 60°C
Operating Humidity	5% ~ 95, non-condensing
Dimensions (LxW)	30 mm x 40 mm
Safety	CE/FCC compliant

Packing List

- 1 x iDPM-VBO converter module
- 1 x QIG

Ordering Information

Part No.	Description
iDPM-VBO-R10	DisplayPort to V-BY-ONE Connector converter board (For IEI Display Module)

iDPM-HDM

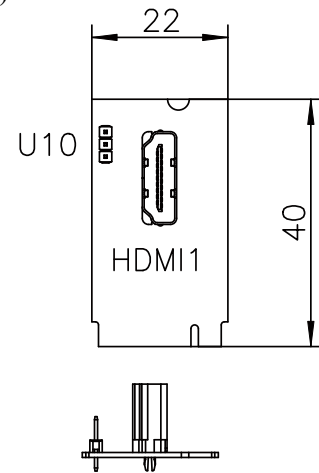
HDMI converter board
(For iDPM connector), RoHs

NEW

- HDMI output
- Resolution support up to HDMI1.4b 4K@30Hz



Dimensions (mm)



Specifications

Model	iDPM-HDM
Form Factor	iDPM 2240 slot(IEI-defined B key)
Display output	1 x HDMI connector
CHIP	CH7525A-BF-Fw1.8.10 (CHRONTEL)
Operating Temperature	0°C ~ 60°C
Storage Temperature	-30°C ~ 70°C
Humidity	5% ~95 non-condensing
Dimensions	40 mm x 22 mm
Safety	CE/FCC compliant

Packing List

- 1 x iDPM-HDM extension board
- 1 x QIG

Ordering Information

Part No.	Description
iDPM-HDM-R10	HDMI extension board (For iDPM connector), RoHs
32012-002300-100-RS	HDMI Cable; 350mm