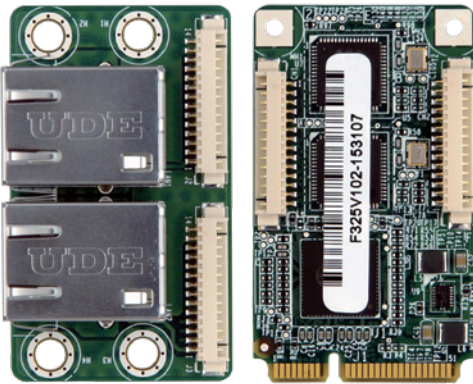


MPCIE-DLAN-R10

PCI Express Mini Dual Intel® GbE LAN Module, Full Size, RoHS



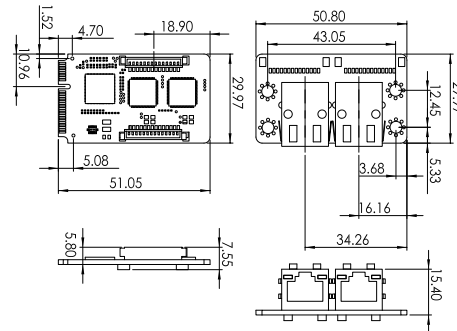
Specifications

- ◆ Form Factor: PCI Express Mini card
- ◆ BIOS: UEFI BIOS
- ◆ Ethernet Controller: Dual Intel® I210-IT
- ◆ Speed: 10/100/1000Mbps
- ◆ External Connector: 2 x 8-pin RJ-45
- ◆ Power Supply: On board 3.3V
- ◆ Compatible OS
 - Windows XP/Server 2003/ Server 2008/ Vista/ 7 /8.1/10
 - Linux kernel version 2.6.32 or later
- ◆ Operating Temperature: -10°C ~ 70°C
- ◆ Operating Humidity: 5% ~ 95%, non-condensing
- ◆ Dimensions (LxW) : 51 mm x 30 mm
- ◆ Weight: 55g
- ◆ Safety: CE/FCC compliant

Features

- Support dual GbE LAN by Intel® I210-IT
- Compliant with PCI Express Mini specification 1.2

Dimensions (mm)



Packing List

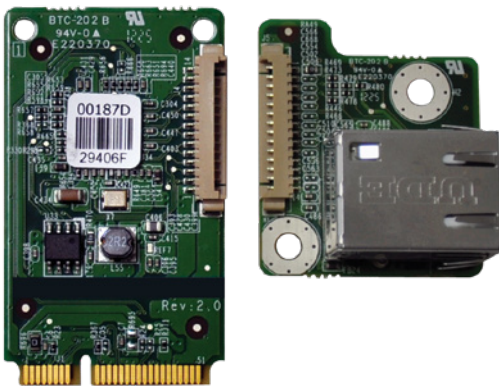
1 x MPCIE-DLAN module	2 x Flat cable (pitch=1.25mm), 340mm length	1 x QIG
-----------------------	---	---------

Ordering Information

Part No.	Description
MPCIE-DLAN-R10	PCI Express Mini dual Intel® GbE LAN module, full size, RoHS

MPCIE-LAN-R10

PCI Express Mini GbE LAN Module, Full Size, RoHS



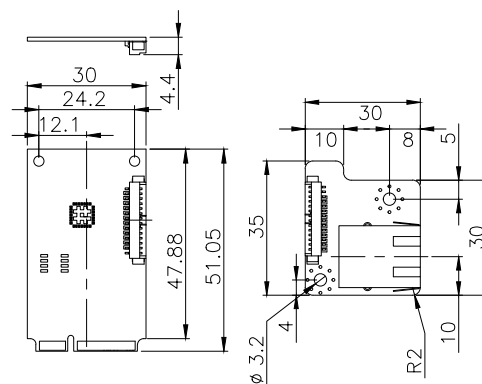
Specifications

- ◆ Form Factor: PCI Express Mini card
- ◆ Ethernet Controller: Realtek RTL8111E
- ◆ Speed: 10/100/1000Mbps
- ◆ External Connector: 1 x 8-pin RJ-45
- ◆ Compatible OS
 - Windows 2000/ XP/ Server 2003/ Server 2008/ Vista/ 7
 - Linux kernel version 2.6.32 or later
- ◆ Power Supply: On board 3.3V
- ◆ Operating Temperature: -10°C ~ 70°C
- ◆ Operating Humidity: 5% ~ 95%, non-condensing
- ◆ Dimensions (LxW) : 51 mm x 30 mm
- ◆ Weight: 70g
- ◆ Safety: CE/FCC compliant

Features

- Support one GbE LAN by RTL8111E
- Compliant with PCI Express Mini specification 1.2

Dimensions (mm)



Packing List

1 x MPCIE-LAN module	1 x Flat cable (pitch=1.25mm), 340mm length	1 x QIG
----------------------	---	---------

Ordering Information

Part No.	Description
MPCIE-LAN-R10	PCI Express Mini GbE LAN module, full size, RoHS