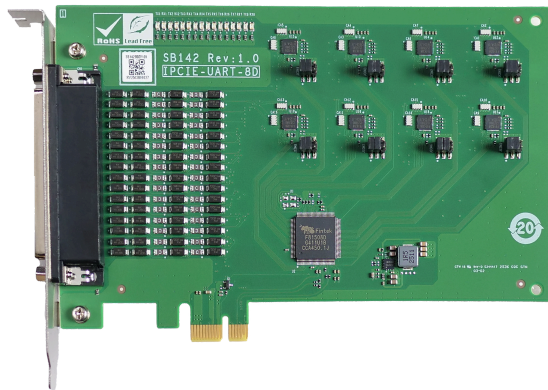


# IPCIE-UART-8D

8-port RS-232/422/485 PCI Express® x1 Card with EFT & Surge Protection



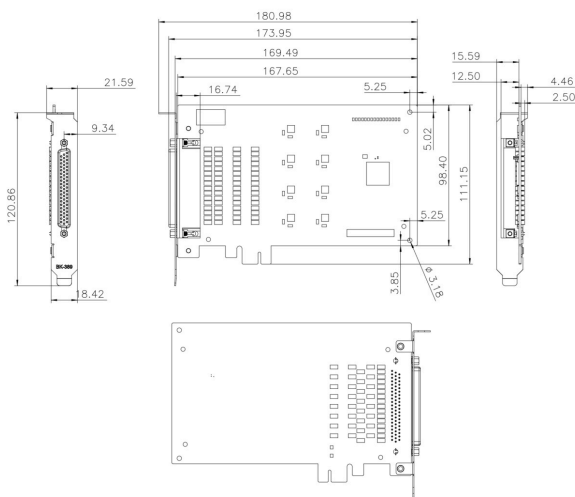
## Features

- Expands 8 independent RS-232/422/485 serial ports via one PCIe x1 slot.
- Fintek F81508 PCIe-to-UART controller with 128-byte Tx/Rx FIFOs per port.
- Fintek F81435 multi-protocol transceivers for RS-232 and RS-422/485.
- Data rates up to 1.5 Mbps.
- EFT 1 kV, Surge 1 kV, 15 kV ESD (air) / 8 kV (contact) protection.

## Specifications

Form Factor	PCI Express® x1
Controller	Fintek F81508
Buffer/Transceiver Series	Fintek F81435
FIFO	128 bytes
Connectors	1 x DB62 (via cable to 8 x DB9, RS-232/422/485)
Protection	EFT: 1KV Surge: 1KV ESD: 15KV (air) / 8KV (contact)
Speed	up to 1.5 Mbps
Operating Temperature	-10°C ~ 60°C
Storage Temperature	-20°C ~ 80°C
Operating Humidity	5% ~95%, non-condensing
Dimension (W x H, mm)	167.65 x 111.15
Weight	0.11kg
Safety	CE/FCC compliant

## Dimensions (mm)



## Packing List

1 x IPCIE-UART-8D card
1 x DB62 TO 8 x DB9 cable
1 x QIG (Quick Installation Guide)

## Ordering Information

Part No.	Description
IPCIE-UART-8D-R10	PCIe x1 card supports 8-Port RS-232/422/485, w/ EFT & Surge Protection, RoHS