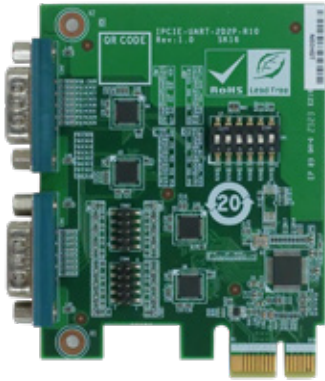


# IPCIE-UART-2D2P

PCIe card supports four RS-232/422/485 Port, RoHs



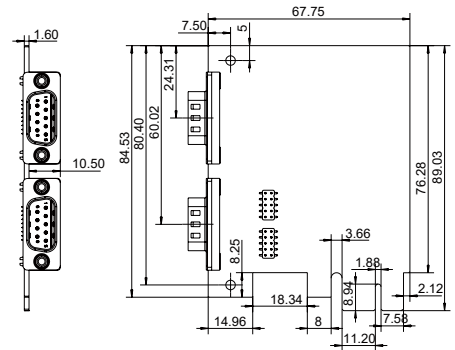
## Specifications

<b>Model Name</b>	IPCIE-UART-2D2P
<b>Form Factor</b>	PCI Express® x1
<b>PCI Express Bridge to Quad Serial Port</b>	Fintek F81504
<b>Buffer/Transceiver Series</b>	Fintek F81439
<b>IO</b>	2 x RS-232/422/485 ( DB9 ) 2 x RS-232/422/485 pin header (2x5 pin, P=2.0)
<b>Operating Temperature</b>	0°C ~ 60°C
<b>Storage Temperature</b>	-30°C ~ 70°C
<b>Operating Humidity</b>	5% ~95%, non-condensing
<b>Dimension</b>	70mm x 90mm
<b>Weight</b>	GW: 120g / NW: 80g
<b>Safety</b>	CE/FCC compliant

## Features

- PCIe card supports four RS-232/422/485 Port
- 128 bytes transmit/receive FIFO
- High-speed 16C550/16C650/16C750/16C850 compatible UARTs
- Baud rate supports 115.2K, max. up to 1.5M

## Dimensions (mm)



## Packing List

1 x IPCIE-UART-2D2P card	1 x IO Shielding
2 x D-SUB9 male cable	1 x QIG

## Ordering Information

Part No.	Description
IPCIE-UART-2D2P-R10	PCIe card supports four RS-232/422/485 Port, RoHs

# IPCIE-CAN-2D

PCIe card supports 2-Port CAN Bus with Isolation Protection, RoHs



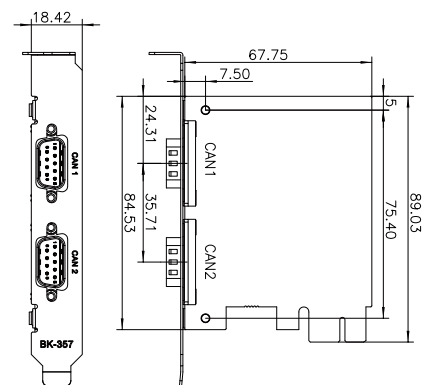
## Specifications

<b>Model Name</b>	IPCIE-CAN-2D
<b>Form Factor</b>	PCI Express® x1
<b>PCIe to CAN IC</b>	Fintek F81601
<b>CAN Transceiver IC</b>	Chipanalogue CA-IS3062
<b>Protocol</b>	CAN 2.0 A/B
<b>Output Interface</b>	2 x DB9 (CAN 2.0B port with isolation)
<b>Operating Temperature</b>	0°C ~ 60°C
<b>Storage Temperature</b>	-30°C ~ 70°C
<b>Operating Humidity</b>	5% ~95%, non-condensing
<b>Dimension</b>	70mm x 90mm
<b>Weight</b>	GW: 120g / NW: 80g
<b>Safety</b>	CE/FCC compliant
<b>Isolation Protection</b>	2.5 kV DC for 1 min, 1.5 kV AC for 1 min

## Features

- PCIe card supports 2 x independent CAN ports
- Up to 1 Mbps transmission speed
- Support 16 MHz CAN controller frequency
- Two CANBus (DB9) port module with isolating

## Dimensions (mm)



## Packing List

1 x IPCIE-CAN-2D card	1 x IO Shielding
1 x IO Shielding	1 x QIG

## Ordering Information

Part No.	Description
IPCIE-CAN-2D-R10	PCIe card supports 2-Port CAN Bus with Isolation Protection, RoHs