

IEI Quick Mounting Technology

Compliant with VESA Mounting Standards

IEI panel solutions have four mounting holes compliant with the VESA (Video Electronics Standards Association) mounting standard (75mm x 75mm/100mm x 100mm) on the rear panel for stand mounting and other mounting methods.

1. Stand Mounting

VESA 75/100 Universal Stand

STAND-A21-R10



Portrait/Landscape



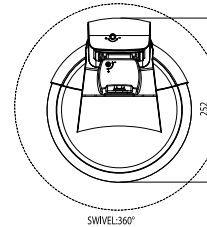
Height Adjustment (13 cm)



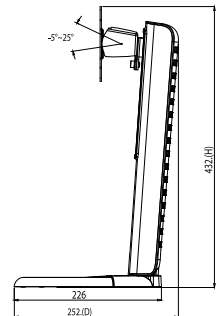
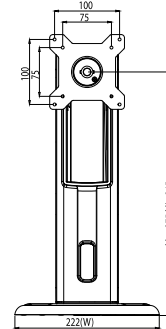
Right/Left Pan (360°)



Forward/Backward Tilt (+25°/-5°)



SWIVEL:360°

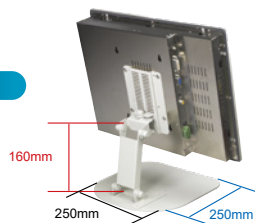


Ordering Information

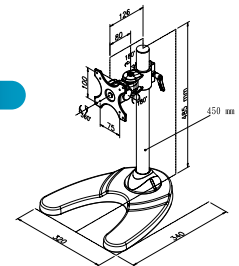
Part No.	Description
STAND-A21-R10	15"~21" VESA 75x75 mm/100x100 mm PPC/Monitor Stand, support from 6 KG to ~12 KG, Black, RoHS



STAND-100



STAND-210



Ordering Information

Part No.	Description
STAND-100-RS	<ul style="list-style-type: none"> Material: Heavy-duty steel Adjustable display angle 3kg to 8kg loading capacity Color: White (Pantone 413C)

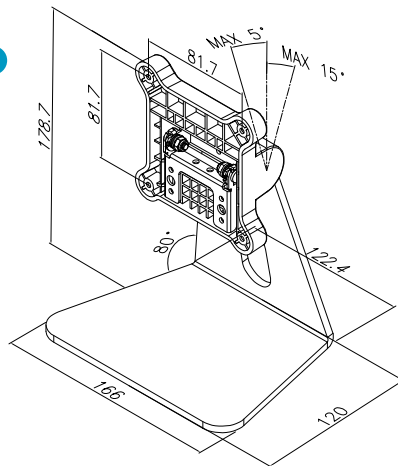
Ordering Information

Part No.	Description
STAND-210-R11	<ul style="list-style-type: none"> Support VESA 75/100 standard Weight capacity from 7kg~10kg

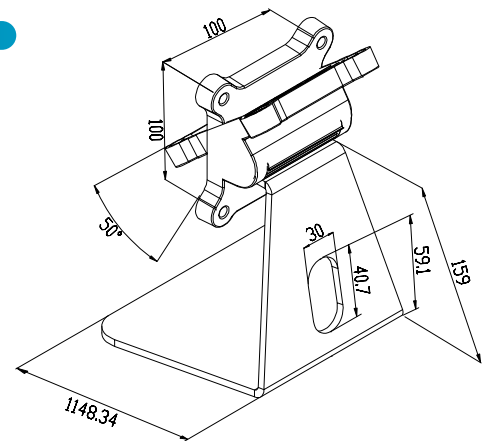
VESA 75/100 Easy Stand



STAND-A19-RS



STAND-A12-RS



Ordering Information

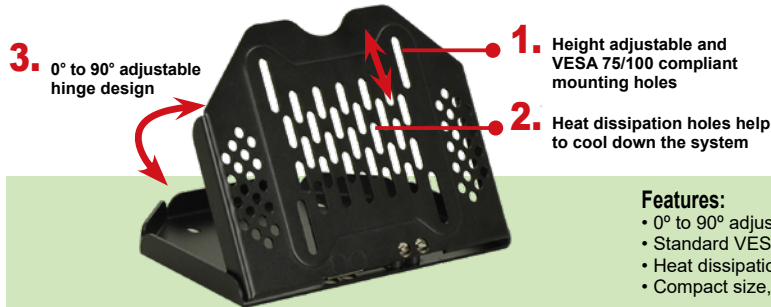
Part No.	Description
STAND-C12-R10	5.7" ~ 12.1" VESA 100x100mm, 75x75mm PPC/Monitor Stand, support up to 7.5kg, Black color, RoHS
STAND-A12-RS	10"~12.1" VESA 100x100mm PPC/monitor stand, support up to 5 kg, Silver color, RoHS
STAND-A19-RS	12.1"~19" VESA 100x100mm PPC/monitor stand, support up to 7.5 kg, Silver color, RoHS

2. V-STAND

VESA Multi-Mounting Stand

IEI patented multi-mounting V-Stand allows wall, ceiling, desk, rear and side mounting to meet diverse applications. Its 0° to 90° adjustable hinge design provides optimal viewing in various environments, such as kitchen, room or shelf.

VESA	Model
75 x 75mm	VSTAND-A07-R11
75 x 75mm / 100 x 100mm	VSTAND-A10-R11
	VSTAND-A12-R11



Features:

- 0° to 90° adjustable hinge design allows comfortable viewing
- Standard VESA 75/100 compliance
- Heat dissipation holes
- Compact size, easy to use for mounting anywhere

A. One fits all solution

The V-Stand is a compact and tilt adjustable mounting stand providing mobility and ergonomic comfort to fit common wall mounting and ceiling mounting situations.



B. 0° to 90° excellent adjustability

You can change the angle of the stand from 0° to 90° to reach almost any point with ergonomic features for comfortable viewing.



C. Space saving and easy installation

Compact size provides mobility



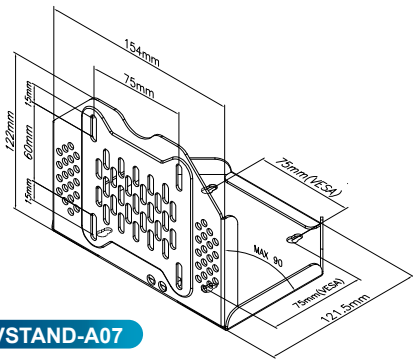
1: Tighten the screws in the rear of the AFOLUX PPC VESA mounting holes



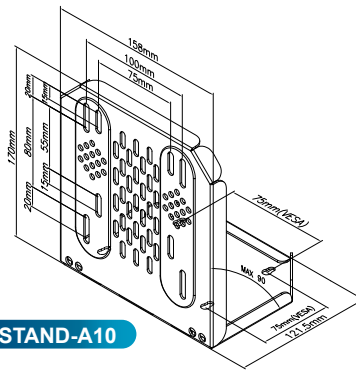
2: Select the position to mount stand kit



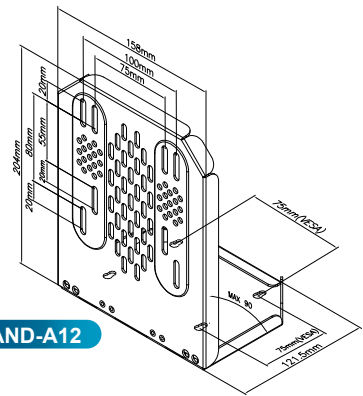
3: Plug in the system to operate



VSTAND-A07



VSTAND-A10



VSTAND-A12

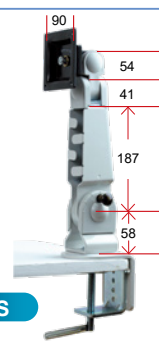
Ordering Information

Part No.	Description
VSTAND-A07-R11	LCD monitor / PPC stand V type, for AFL series, VESA 75, 0°~90° degree adjustable hinge, support up to 2.5 kg, RoHS
VSTAND-A10-R11	LCD monitor / PPC stand V type, for AFL series, VESA 75/100, 0°~90° degree adjustable hinge, support up to 3 kg, RoHS
VSTAND-A12-R11	LCD monitor / PPC stand V type, for AFL series, VESA 75/100, 0°~90° degree adjustable hinge, support up to 3.5 kg, RoHS

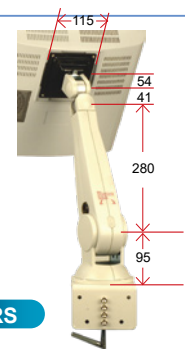
3. ARM

VESA 75/100 Desk ARM

VESA	Model
75x75mm/100x100mm	ARM-11-RS
	ARM-31-RS



ARM-11-RS



ARM-31-RS

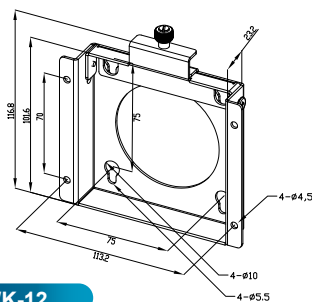
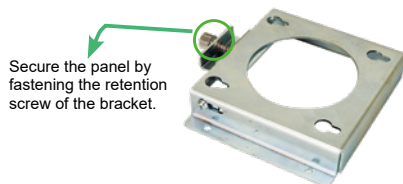
Ordering Information

Part No.	Description
ARM-11-RS	LCD Monitor / PPC ARM, VESA 75/100, 3kg~6kg, RoHS
ARM-31-RS	LCD Monitor / PPC ARM, VESA 75/100, 7kg~14kg, RoHS

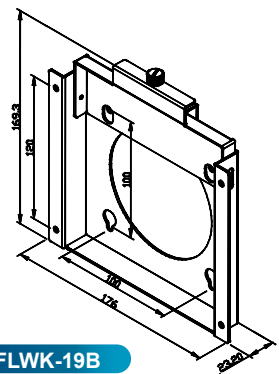
4. Wall Mounting

VESA 75/100 Wall Mounting

VESA	Model
75x75mm/100x100mm	AFLWK-12
	AFLWK-19B



AFLWK-12



AFLWK-19B

Ordering Information

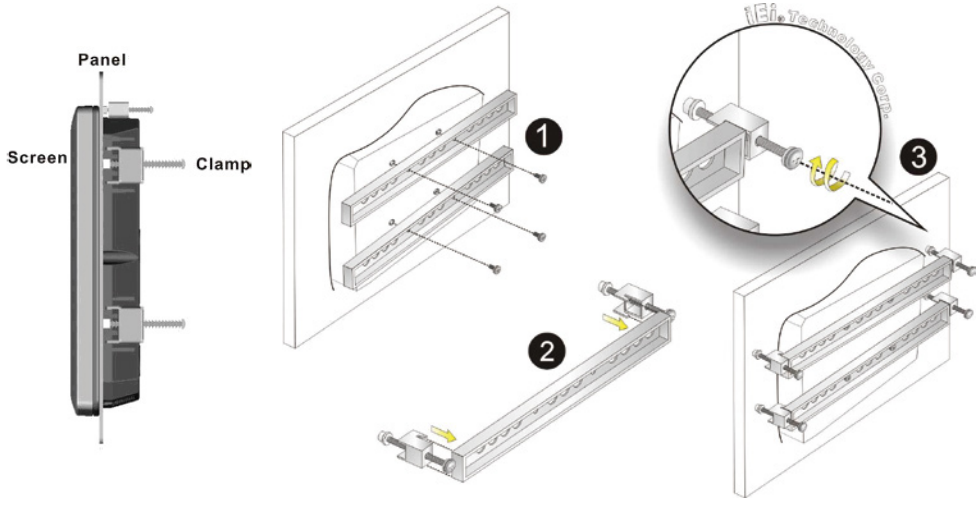
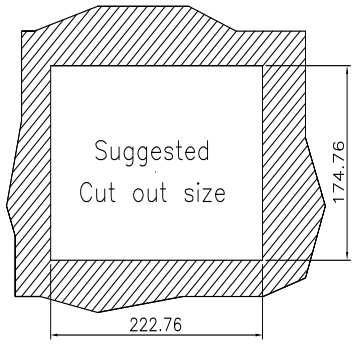
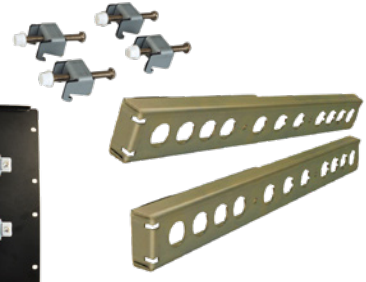
Part No.	Description
AFLWK-12	5.6"~12" VESA 75x75mm PPC/Monitor Wall Mount Kit with Retention Screw, Silver color, RoHS
AFLWK-19B	15"~19" VESA 100x100mm PPC/Monitor Wall Mount Kit with Retention Screw, Silver color, RoHS

5. Panel Mounting *Please refer to product datasheet for mounting way suggestion

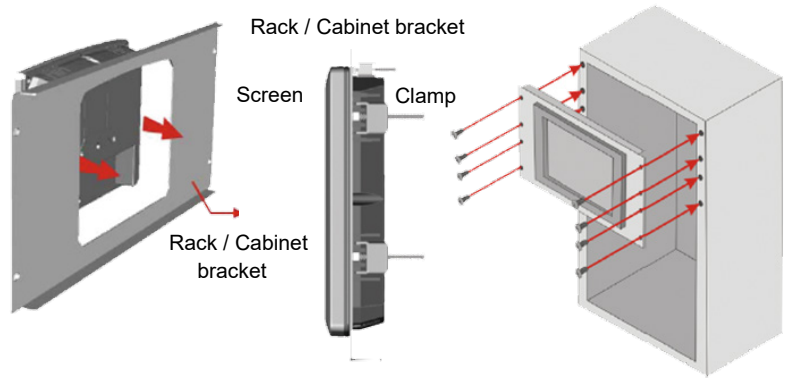
Type A



Type B



6. Rack Mounting



Ordering Information

Part No.	Description
AFLRK-xx	For AFOLUX PPC/Monitor Series

7. Din Mounting



Ordering Information

Part No.	Description
DK-84MS	For 6.5"~8.4" Industrial Aluminum Panel PCs/Industrial Monitors