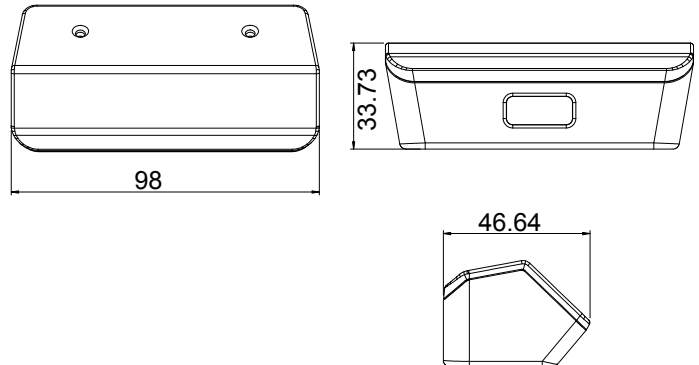


» AFL3-2D Specifications



AFL3-2D-R11 Dimensions (Unit: mm)



Model	AFL3-2D-R11	
Image Sensor	752 × 480 CMOS	
Illumination	Red LED 625±10 nm	
Symbologies	2D	PDF417, Data Matrix (ECC200,ECC000,050,080,100,140), QR Code, etc.
	1D	Code128, EAN-13, EAN-8, Code39, UPC-A, UPC-E, Codabar, Interleaved 2 of 5, ITF-6, ITF-14, ISBN, Code 93, UCC/EAN-128, GS1 Databar, Matrix 2 of 5, Code 11, Industrial 2 of 5, Standard 2 of 5, Plessey, MSI-Plessey, etc.
Reading Precision	≥ 5mil	
Depth of Field	UPC-A	55mm - 305mm (13mil);
	PDF417	65mm - 175mm (6.67mil); 50mm - 215mm (10mil)
	Data Matrix	50mm - 220mm (15mil);
	QR Code	65mm - 235mm (15mil)
Symbol Contrast	≥ 25%	
Field of View	Horizontal 42°; Vertical 27.5°	
Scan Angle**	Roll: 360°; Pitch: ±55°; Skew: ±55°	
Interface	USB	
Operating Temperature	-20°C to +60°C	
Storage Temperature	-40°C to +80°C	
Humidity	5% to 95% (non-condensing)	
Ambient Light	0 ~ 100,000 LUX (natural light)	
Scanning prompt	Buzzer	

» Magnetic Card Reader

Item	Specifications
Scan Speed	100 - 1000 mm / sec (3.9 - 39 inch / sec)
Direction	Bi-direction
Life Cycle	Approx. 300,000 passes
MTBF	24,000 hours
Interface	USB
Dimensions	21 cm X 11.7 cm X 5 cm
Weight	220 g
Temperature	-20 oC to 60 oC (-4 oF to 140 oF)
Humidity	20% to 95%

