

Marine Monitor Series

S24M

24" IP66 Marine Monitors



Features

- **IP66 Front / IP22 Rear**
- **-15°C ~ +55°C Wide Temperature and Flat-bezel Projected Capacitive Touchscreen**
- **Excellent Visual Performance**
 - Full OSD function configuration
 - 0%~100% full range dimming
 - 178°/178° wide viewing angles
- **Multiple Video Input**
 - Two VGA, two DVI, and one BNC
- **Multiple Video Output**
 - One VGA and one BNC
- **Dual Isolated AC/DC Input with Redundant Power Protection**
- **Remote OSD Settings through LAN, RS-232, RS-422 and RS-485**



Specifications

Model		S24M
LCD	LCD Size	24"
	Panel Type	AMVA
	Max Resolution	1920 x 1080 (16:9)
	Contrast Ratio	5000 : 1
	Brightness (cd/m ²)	300
	LCD Color	16.7M
	Pixel Pitch (um)	276.75 x 276.75
	Viewing Angles (H-V)	178° / 178°
	Backlight MTBF (HRs)	50000
Scalar Chip		STDP8028
I/O Ports		<ul style="list-style-type: none"> • DVI-D Signal Input: 2 x DVI (24-pin, female) • VGA Signal Input: 2 x D-sub (15-pin, female) • VGA Signal Output: 1 x D-sub (15-pin, female) - Clone of VGA IN* • Composite Video Input: 1 x BNC connector (Female) • Composite Video Output: 1 x BNC connector (Female) • RS-232/422/485 for Remote Control (Non-isolated) • Touchscreen: 1 x USB Type A Connector (Female) • Ethernet: 1 x RJ-45 Connector for Remote Control • Isolated AC Power Inlet: 100V~240V AC • Isolated DC Terminal Block: 18V~36V DC • 1 x Buzzer
PIP		Yes
OSD Button		P-CAP Button (LCD on/off, Menu, Auto, Up, Down, Left, Right)
LED/Sensor		Ambient light sensor (0%~100%)
Power Requirement		Multi-power Supply: Isolated AC Power: 100-240V, 2-1A, 50-60Hz Isolated DC Power: 18-36V, 8-4A
Operating Temperature		-15°C ~ 55°C
Storage Temperature		-20°C ~ 60°C
Humidity		5% to 95% RH
Thermal Design		Fanless
Housing		Aluminum front , sheet metal back (Black C)
Cut-out Dimensions (L x W)		576 mm x 358 mm
Dimensions (L x W x D)		592 mm x 374 mm x 113 mm
Mounting		VESA 100mm x 100mm
Net Weight (kg)		11.48
Gross Weight (kg)		15.97
Approvals		EMC: CE, FCC
		Safety: DNV, IEC 60945 4th, IACS-E10
		IP Rating: IP66 front , IP22 rear

Ordering Information

PN	Description
S24M-AD/PC-R11	24" FHD 300cd/m2 Marine Display with AC and DC redundant power, PCAP touch screen, R11

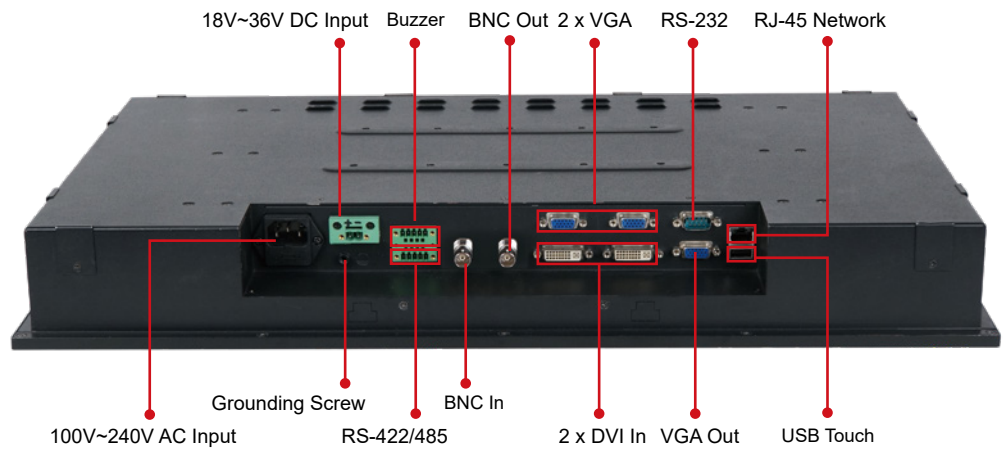
Options

Item	Part No.	Description
Panel Mount Kit	PK-S24M-R10	for S24M
Desktop Stand	STAND-A21-R10	for S24M

Packing List

Item	Q'ty	Remark
VGA	1	VGA Signal Cable
DVI	1	DVI Signal Cable
USB	1	Touch Screen Cable USB
Power Cord	1	Power Cord
S24M	1	

S24M Fully Integrated I/O



S24M Dimensions (Unit: mm)

