

PuIM-1G4SF-I350

Intel® Ethernet Controller I350-AM4 based Network Interface Card with 4 x SFP by 2 PCIe 2.0 x4 interface



Features

- 1 x Intel® Ethernet Controller I350-AM4
- 4 x GbE SFP connectors
- 2 PCIe2.0 x4
- RoHS compliant

Specifications

Model Name	PuIM-1G4SF-I350		PuIM-1G4SF/T-I350
Form Factor	IEI Networking Module		
NIC	Intel® Ethernet Controller I350-AM4		
LAN Interface	SFP		
Speed	1GbE		
Ports	4		
Host Interface	2 PCIe 2.0 x4		
Storage Temp.	-20°C ~ 75°C (-4°F ~ 167°F)		
Operating Temp.	0°C ~ 40°C (32°F ~ 104°F)		
Humidity	5% ~ 90% RH, Non-condensing		
Dimensions (mm)	165.50 (L) x 77.8 (W) x 44.2 (H)		
Compliance	RoHS		
Support Device	PUZZLE-IN001 PUZZLE-IN001A PUZZLE-IN004	PUZZLE-A001 PUZZLE-A001A	PUZZLE-IN005

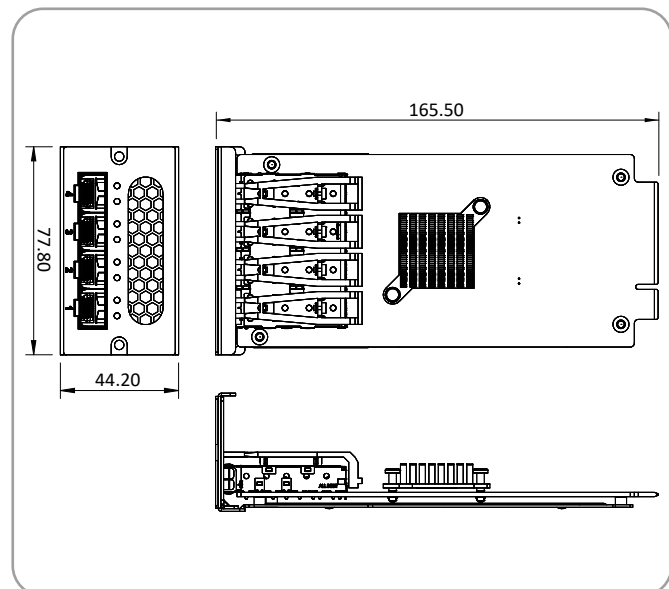
Ordering Information

Part No.	Description
PuIM-1G4SF-I350-R10	Intel® Ethernet Controller I350-AM4 based Network Interface Card with 4 x SFP by 2 PCIe 2.0 x4 interface, RoHS
PuIM-1G4SF/T-I350-R10	Intel® Ethernet Controller I350-AM4 based Network Interface Card with 4 x SFP by 2 PCIe 2.0 x4 interface, RoHS

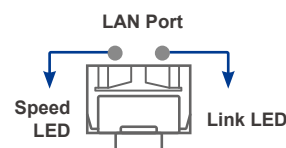
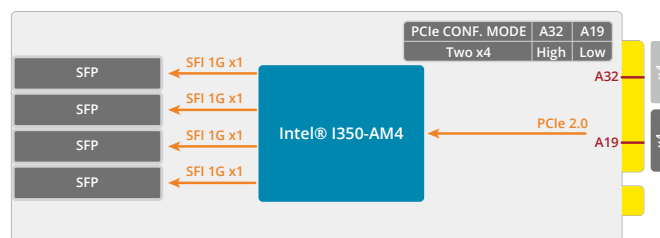
Packing List

Part No.	L-shaped T10 PuIM Wrench	Torx Screws	QIG
PuIM-1G4SF-I350-R10	1	2	1
PuIM-1G4SF/T-I350-R10	N/A	N/A	1

Dimensions (Unit: mm)



Block Diagram



LED	State	Description
Link (Right)	Yellow ■	Active
Speed (Left)	Green ■	1 Gbps data rate