

# PuIM-10G4SF-XL710

Intel® Ethernet Controller XL710-BM1 based Network Interface Card with 4 x SFP+ by PCIe 3.0 x8 interface



## Features

- 1 x Intel® Ethernet Controller XL710-BM1
- 4 x 10 GbE SFP+ connectors
- PCIe 3.0 x8
- RoHS / CE / FCC compliant

## Specifications

Model Name	PuIM-10G4SF-XL710		PuIM-10G4SF/T-XL710
Form Factor	IEI Networking Module		
NIC	Intel® XL710-BM1 Ethernet Controller		
LAN Interface	SFP+		
Speed	1GbE/ 10GbE		
Ports	4		
Host Interface	PCIe 3.0 x8		
Storage Temp.	-20°C ~ 75°C (-4°F ~ 167°F)		
Operating Temp.	0°C ~ 40°C (32°F ~ 104°F)		
Humidity	5% ~ 90% RH, Non-condensing		
Dimensions (mm)	165.50 (L) x 77.8 (W) x 44.2 (H)		
Compliance	CE / FCC / RoHS		
Support Device	PUZZLE-IN001 PUZZLE-IN001A PUZZLE-IN004	PUZZLE-A001 PUZZLE-A001A	PUZZLE-IN005

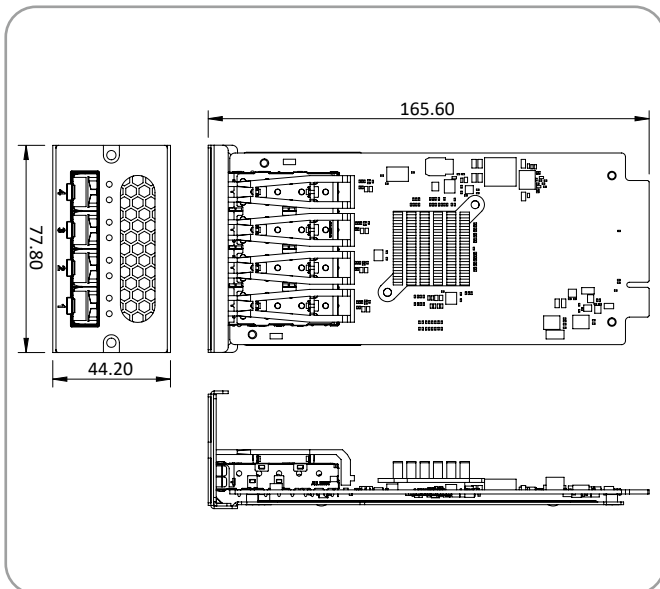
## Ordering Information

Part No.	Description
PuIM-10G4SF-XL710-R10	Intel® Ethernet Controller XL710-BM1 based Network Interface Card with 4 x SFP+ by 1 PCIe 3.0 x 8 interface, RoHS
PuIM-10G4SF/T-XL710-R10	Intel® Ethernet Controller XL710-BM1 based Network Interface Card with 4 x SFP+ by 1 PCIe 3.0 x 8 interface, RoHS

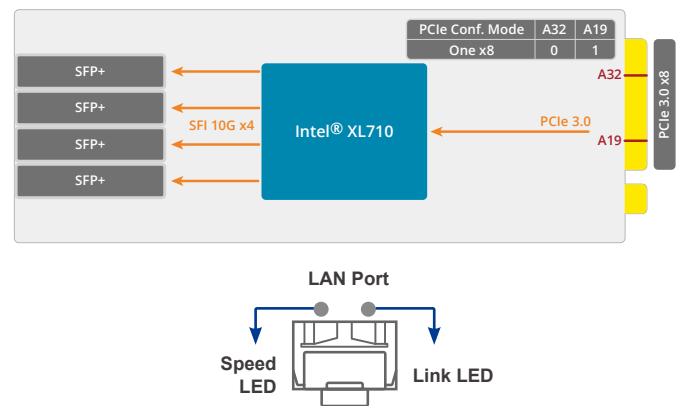
## Packing List

Part No.	L-shaped T10 PuIM Wrench	Torx Screws	QIG
PuIM-10G4SF-XL710-R10	1	2	1
PuIM-10G4SF/T-XL710-R10	N/A	N/A	1

## Dimensions (Unit: mm)



## Block Diagram



LED	State	Description
Link (Right)	Yellow	Active
Speed (Left)	Green	10 Gbps data rate