

PuIM-10G2SF-X710

Intel® Ethernet Controller X710-BM2 based Network Interface Card with 2 x SFP+ by 1 PCIe 3.0 x8 interface



Features

- 1 x Intel® Ethernet Controller X710-BM2
- 2 x 10 GbE SFP+ connectors
- PCIe 3.0 x8
- RoHS compliant

Specifications

Model Name	PuIM-10G2SF-X710		PuIM-10G2SF/T-X710
Form Factor	IEI Networking Module		
NIC	Intel® Ethernet Controller X710-BM2		
LAN Interface	SFP+		
Speed	1GbE/ 10GbE		
Ports	2		
Host Interface	PCIe 3.0 x8		
Storage Temp.	-20°C ~ 75°C (-4°F ~ 167°F)		
Operating Temp.	0°C ~ 40°C (32°F ~ 104°F)		
Humidity	5% ~ 90% RH, Non-condensing		
Dimensions (mm)	165.50 (L) x 77.8 (W) x 44.2 (H)		
Compliance	RoHS		
Support Device	PUZZLE-IN001 PUZZLE-IN001A PUZZLE-IN004	PUZZLE-A001 PUZZLE-A001A	PUZZLE-IN005

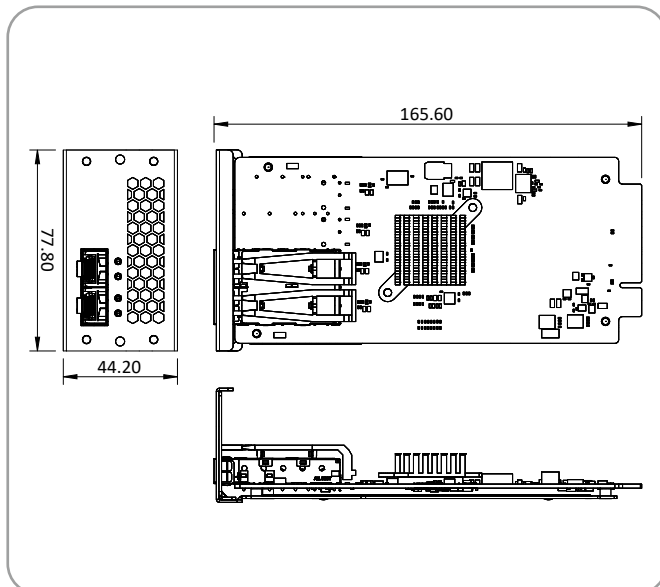
Ordering Information

Part No.	Description
PuIM-10G2SF-X710-R10	Intel® Ethernet Controller X710-BM2 based Network Interface Card with 2 x SFP+ by 1 PCIe 3.0 x8 interface, RoHS
PuIM-10G2SF/T-X710-R10	Intel® Ethernet Controller X710-BM2 based Network Interface Card with 2 x SFP+ by 1 PCIe 3.0 x8 interface, RoHS

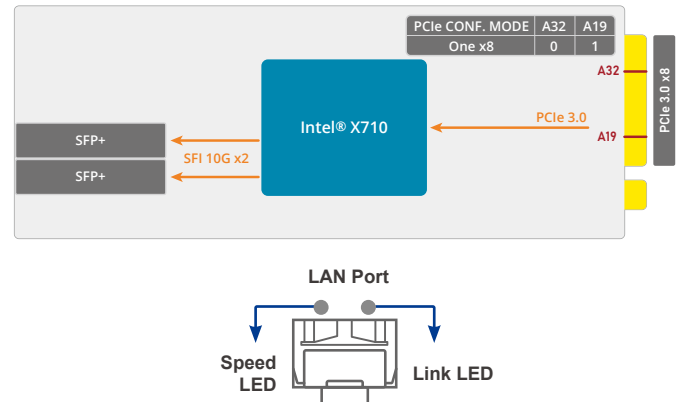
Packing List

Part No.	L-shaped T10 PuIM Wrench	Torx Screws	QIG
PuIM-10G2SF-X710-R10	1	2	1
PuIM-10G2SF/T-X710-R10	N/A	N/A	1

Dimensions (Unit: mm)



Block Diagram



LED	State	Description
Link (Right)	Yellow	Active
Speed (Left)	Green	10 Gbps data rate
	Off	1 Gbps/100Mbps data rate