

PuIM-100G2SF-E810

Intel® Ethernet Controller EZE810CAM2 based Network Interface Card with 2 x QSFP28 by PCIe 4.0 x8 interface



New

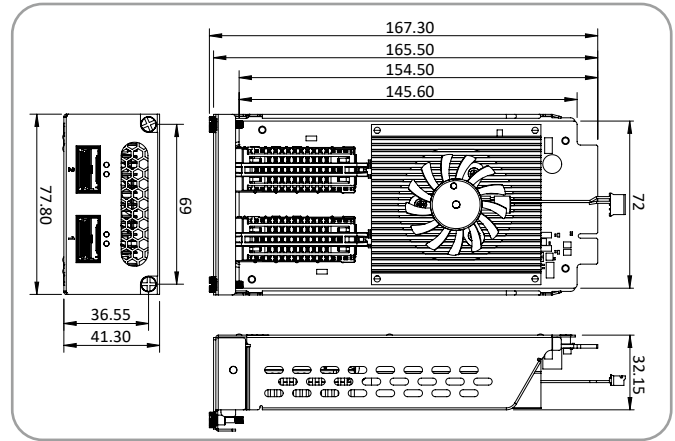
Features

- 1 x Intel® E810 Ethernet controller
- 2 ports 100GbE QSFP28 connector
- PCIe 4.0 x8 interface
- RoHS compliant

Specifications

	PuIM-100G2SF-E810
Form Factor	IEI Networking Module - PuIM
NIC	Intel® E810
LAN Bypass	N/A
LAN Interface	QSFP28
Speed	100GbE
Ports	2
Host Interface	PCIe 4.0 x8
Storage Temp.	-20°C ~ 75°C (-4°F ~ 167°F)
Operating Temp.	0°C ~ 40°C (32°F ~ 104°F)
Humidity	5% ~ 90% RH, Non-condensing
Dimensions (mm)	165.50 (L) x 77.8 (W) x 44.2 (H)
Compliance	RoHS

Dimensions (Unit: mm)



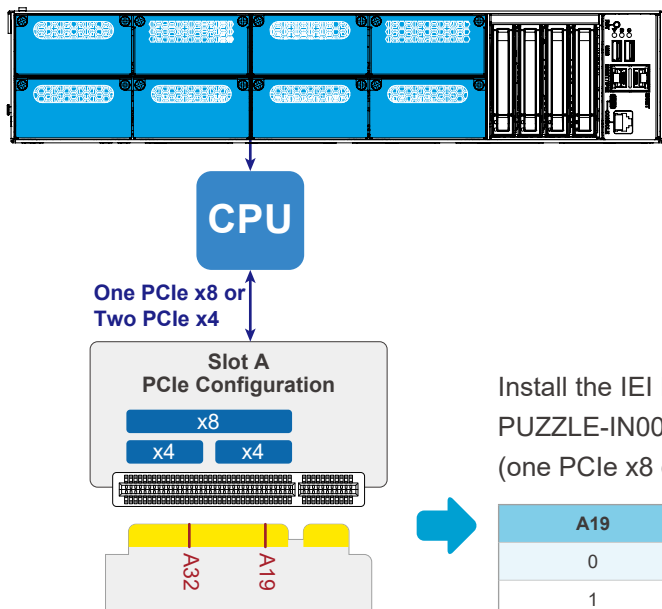
Ordering Information

Part No.	Description
PuIM-100G2SF-E810-R10	Intel® Ethernet Controller EZE810CAM2 based Network Interface Card with 2 x QSFP28 by PCIe 4.0 x8 interface

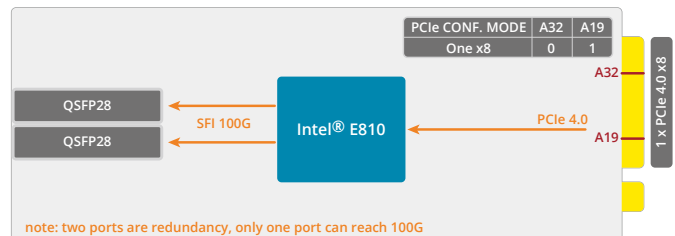
Packing List

1 x PuIM-100G2SF-E810 module	1 x QIG
------------------------------	---------

Hardware Installation



Block Diagram



Install the IEI PuIM-100G2SF-E810 networking module into the slot of the PUZZLE-IN005. All slots support 8 lanes of PCIe gen4 signal from CPU (one PCIe x8 or two PCIe x4).

A19	A32	PCIe Config.
0	1	2x4
1	0	1x8