

PUZZLE-IN002

1U Rackmount Network Appliance with 8th & 9th Generation Intel® Core™ i7/i5/i3, Pentium® or Celeron® Processor, 1 PCIe slots



Features

- 8th & 9th Generation Intel® Core™ i7/i5/i3, Pentium® or Celeron® processor
- 6 x GbE RJ45 via Intel® I211
- 2 x DDR4 2400MHz Non-ECC UDIMM, up to 32GB
- 1 x RJ45 Console, 2 x USB 3.2 Gen 1 (5Gb/s), LCM
- 2 x 2.5" SATA drive bay, 1 x M.2 A key (PCIe & USB 2.0), 1 x PCIe Mini card (SATA, USB 2.0) with SIM slot
- Support PCIe x16

Specifications

		PUZZLE-IN002-i3T	PUZZLE-IN002-PGT
Platform	Form Factor	1U	
	CPU	8th Generation Intel® Core™ i3-8100T processor, 4C/4T, up to 3.10 GHz	Intel® Pentium® Gold G5400T processor, 2C/4T, up to 3.10 GHz
	Chipset	Intel® H310	
Memory	Memory Technology	2 x DDR4 2400MHz Non-ECC UDIMM	
	Memory Capacity	Up to 32GB	
	Memory Socket	2 x 288-pin DIMM	
Network and Security	Network Acceleration and Security Function	<ul style="list-style-type: none"> • Intel® AES New Instructions • Intel® Software Guard Extensions (Intel® SGX) • Intel® Memory Protection Extensions (Intel® MPX) • Intel® Trusted Execution Technology 	
	TPM	1 x TPM 2.0 pin header	
Networking	Ethernet IC	1 GbE NIC: Intel® I211-AT	
	Ethernet Port	6 x 1GbE RJ45 LAN ports	
	Network Module Slot	N/A	
Expansion Slot	PCIe Slot	1 x PCIe 3.0 x16 (FHHL) slot (double width)	
	PCIe Mini Card Slot	1 x PCIe Mini card (SATA 3.0, USB 2.0) with SIM slot	
	M.2	1 x M.2 A key (PCIe 2.0& USB 2.0)	
Storage	Storage	2 x 2.5" SATA HDD/SSD bay support SATA 3.0 (6 Gbps)	
	eMMC	N/A	
	SD Card	N/A	
External I/O	USB	2 x USB 3.2 Gen 1 (5Gb/s)	
	Console	1 x RJ45	
Internal I/O	HDMI	1 x HDMI connector (optional)	
	USB	2 x USB 2.0 (pin header)	
Power and Mechanical	Power Switch	1 x Power switch	
	Reset Button	1 x Reset button	
	Power Input	100 V ~ 240 V	
	Type/Watt	ATX power 250W	
		90V~264V AC	
	Processor Cooling	1 x Passive CPU heatsink	
	System Cooling	4 x Cooling fans with smart fan	
Antenna Hole	1 x Antenna hole		
Physical and Environmental	Storage Temperature	-20°C ~ 75°C (-4°F ~ 167°F)	
	Operating Temperature	0°C ~ 40°C (32°F ~ 104°F)	
	Operating Humidity	5% ~ 90% non-condensing	
	Dimensions (W x L x H) (mm)	430 x 320 x 44.2	
	Weight	5kg	
OS and Certifications	Certification	CE / FCC / RoHS	
	Operating System	Linux Ubuntu 18.04.04 CentOS 7 / Red Hat / Fedora EPEL Microsoft Windows 10	
Indicators	LCM	LCM, 2 buttons	
	LED	1 x Power LED, 1 x Storage LED, 1 x Alert LED	

Ordering Information

Part No.	Description
PUZZLE-IN002-R11*	1U Rackmount Network Appliance support Intel® Gen 8 Core™ i7, i5, i3, Pentium® or Celeron® processor, two DDR4 slots, and six 1GbE, one PCIe x16 expansion, RoHS
PUZZLE-IN002-i3T-R11	1U Rackmount Network Appliance with Intel® Gen8 Core™ i3-8100T processor, two DDR4 slots, and six 1GbE, one PCIe x16 expansion, RoHS
PUZZLE-IN002-PGT-R11	1U Rackmount Network Appliance with Intel® Gen8 Pentium® Gold G5400T processor, two DDR4 slots, and six 1GbE, one PCIe x16 expansion, RoHS
PUZZLE-IN002-i3T/8G-R11	1U Rackmount Network Appliance with Intel® Gen8 Core™ i3-8100T processor, two 4GB DDR4, one 256GB SSD, six 1GbE, one PCIe x16 expansion, RoHS
PUZZLE-IN002-PGT/8G-R11	1U Rackmount Network Appliance with Intel® Gen8 Pentium® Gold G5400T processor, two 4GB DDR4, one 256GB SSD, and six 1GbE, one PCIe x16 expansion, RoHS

* A CPU heatsink must be purchased separately

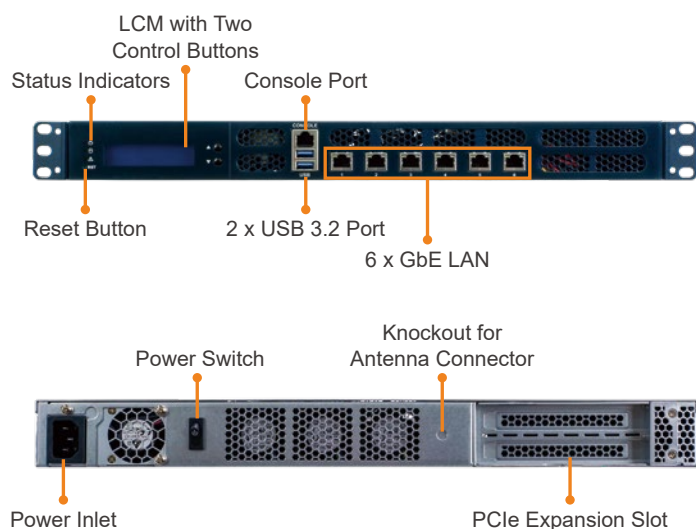
Packing List

	PUZZLE-IN002	PUZZLE-IN002-i3T	PUZZLE-IN002-PGT	PUZZLE-IN002-i3T/8G	PUZZLE-IN002-PGT/8G
Power cord	1	1	1	1	1
Rack mounting ears	2	2	2	2	2
Screws for rack mounting ears	6	6	6	6	6
USB to console cable	Option	Option	Option	1	1
RS-232 to console cable	1	1	1	Option	Option
Slide rail	Option	Option	Option	Option	Option

Options

Item	Part No.	Description
USB to console cable	32013-004000-100-RS	ROUND CABLE; LAN CABLE; FTDI Console Cable; 2; 1800MM; (A)USB A TYPE 4P MALE+PCB:FTDI_FT232RL; (B)RJ45 8P8C; RoHS
RS-232 to console cable	32005-005100-100-RS	ROUND CABLE; RS-232/422/485; PUZZLE RS-232 Cable; 2; 500MM; 24AWG; (A)D-SUB 9P MALE+#4-40 Screw; (B)RJ45 PLUG 8P8C; ONE PCS PKG; TC&C; RoHS
HDMI cable	19B00-000403-00-RS	Z532; Accessory module; PUZZLE series HDMI cable assembly (only processor support graphics model); standard; 00, RoHS
Heatsink (TDP: 35W)	34000-000731-RS	HEATSINK; 90*90*27MM, GREASE:35*35mm_K=6.5; Washer*4+SPING SCREW Set*4, for CPU TDP 35W; RoHS
Heatsink (TDP: 80W)	34000-000722-RS	HEATSINK/Heat Pipe; FIN:89.5X88.4X20MM+Ø6 Heat Pipe*1, Copper Block:40*36*3MM + Aluminum Block:90*90*4.0MM; SCREW+SPRING+E-RING+WASHER*4, GREASE:X23-7762for CPU TDP 80W; RoHS

IO Interface



Dimensions (Unit: mm)

