

# PUZZLE-A001A

1U Rackmount Network Appliance with AMD EPYC™ Embedded 3000 series processor, one PuIM module slot & 2 PCIe x4 slots



## Features

- AMD EPYC™ Embedded 3000 series processor, highperformance System-on-Chip
- Support 8 x GbE RJ45 via BCM 5720
- 4 x 288-pin DDR4 2666 MHz, UDIMM up to 64GB / RDIMM up to 128GB
- 1 x RJ45 Console, 2 x USB 3.2 Gen 1 (5Gb/s), LCM
- 2 x 2.5" SATA 3.0 drive bay, 1 x M.2 B-Key (SATA 3.0, USB 3.2 Gen 1 (5Gb/s)), 1 x PCIe Mini card (PCIe 3.0, USB 2.0)
- Support two PCIe x4 slots, one PuIM module slot
- Redundant PSUs

## Specifications

		PUZZLE-A001A-SO2	PUZZLE-A001A-SO3
Platform	Form Factor	1U	
	CPU	AMD EPYC™ Embedded 3201 processor, 8C/8T, up to 3.10 GHz	AMD EPYC™ Embedded 3151 processor, 4C/8T, up to 2.90 GHz
	Chipset	Integrated in CPU	
Memory	Memory Technology	4 x DDR4 2133/2666 MHz ECC or non-ECC UDIMM/RDIMM	
	Memory Capacity	UDIMM Up to 64GB / RDIMM Up to 128GB	
	Memory Socket	4 x 288-pin DIMM	
Network and Security	Network Acceleration and Security Function	<ul style="list-style-type: none"> <li>• Secure Processor for Crypto Co-processing</li> <li>• Secure Memory Encryption (SME)</li> <li>• Secure Encrypted Virtualization (SEV)</li> <li>• Integrated crypto acceleration supporting the IPsec protocol</li> </ul>	
	TPM	1 x TPM 2.0 pin header	
Networking	Ethernet IC	1 GbE NIC: Broadcom® BCM5720	
	Ethernet Port	8 x GbE RJ45 LAN ports	
	Network Module Slot	1 x PuIM module slot	
Expansion Slot	PCIe Slot	2 x PCIe 3.0 x4 (FHHL) slots	
	PCIe Mini Card Slot	1 x PCIe Mini card (PCIe 3.0, USB 2.0)	
	M.2	1 x 2260/3042 B key (SATA and USB 3.2 Gen 1 (5Gb/s)) Support SATA SSD and 4G LTE module	
Storage	Storage	2 x 2.5" SATA HDD/SSD bay support SATA 3.0 (6 Gbps)	
	eMMC	N/A	
	SD Card	N/A	
External I/O	USB	2 x USB 3.2 Gen 1 (5Gb/s)	
	Console	1 x RJ45	
Internal I/O	HDMI	N/A	
	USB	1 x USB 3.2 Gen 1 (5Gb/s) 4 x USB 2.0	
Power and Mechanical	Power Switch	1 x Power switch	
	Reset Button	1 x Reset button	
	Power Input	100 V ~ 240 V	
	Type/Watt	Redundant power 300W 90V ~ 264V AC	
	Processor Cooling	1 x Passive CPU heatsink	
	System Cooling	4 x Cooling fans with smart fan	
	Antenna Hole	1 x Antenna hole	
Physical and Environmental	Storage Temperature	-20°C ~ 75°C (-4°F ~ 167°F)	
	Operating Temperature	0°C ~ 40°C (32°F ~ 104°F)	
	Operating Humidity	5% ~ 90% non-condensing	
	Dimensions (W x L x H) (mm)	430 x 426 x 44.2	
	Weight	7kg	
OS and Certifications	Certification	CE / FCC / RoHS	
	Operating System	Linux Ubuntu 18.04.04 CentOS 7 / Red Hat / Fedora EPEL	
Indicators	LCM	LCM, 2 buttons	
	LED	1 x Power LED, 1 x Storage LED, 1 x Alert LED	

## Ordering Information

Part No.	Description
PUZZLE-A001A-SO2/R-R10	1U Rackmount Network Appliance with AMD EPYC™ Embedded 3201 processor, four DDR4 slots, and eight 1GbE , one PuIM slot, two PCIe expansion, Redundant Power, RoHS
PUZZLE-A001A-SO3/R-R10	1U Rackmount Network Appliance with AMD EPYC™ Embedded 3151 processor, four DDR4 slots, and eight 1GbE , one PuIM slot, two PCIe expansion, Redundant Power, RoHS

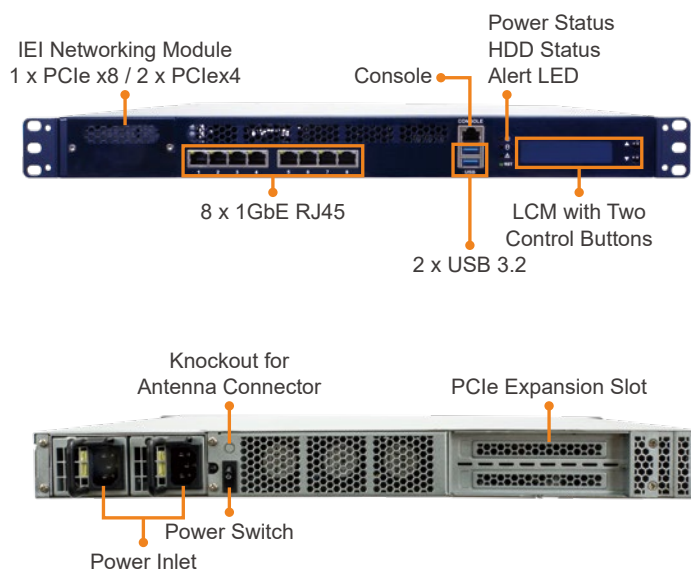
## Packing List

	PUZZLE-A001A-SO2/R-R10	PUZZLE-A001A-SO3/R-R10
Power cord	2	2
Rack mounting ears	2	2
Screws for rack mounting ears	6	6
USB to console cable	Option	Option
RS-232 to console cable	1	1
Slide rail	Option	Option

## Options

Item	Part No.	Description
Slide rail	RAIL-B02	New rail kit for new 1U & 2U NAS: TVS-471U, 1253U, etc
USB to console cable	32013-004000-100-RS	ROUND CABLE; LAN CABLE; FTDI Console Cable; 2; 1800MM; (A)USB A TYPE 4P MALE+PCB:FTDI_FT232RL; (B)RJ45 8P8C; RoHS
RS-232 to console cable	32005-005100-100-RS	ROUND CABLE; RS-232/422/485; PUZZLE RS-232 Cable; 2; 500MM; 24AWG; (A) D-SUB 9P MALE+#4-40 Screw; (B)RJ45 PLUG 8P8C; ONE PCS PKG; TC&C; RoHS

## IO Interface



## Dimensions (Unit: mm)

