

IRS-100-ULT3

Railway Surveillance System



Features

- Intel® Skylake ULT processor
- Dual M12 LAN port
- VGA / DVI dual display
- Dual SIM card design
- 24V and 110V DC input (±40%) DC input
- 2 x 2.5" hot-swappable SATA SSD drive bay
- EN 50155

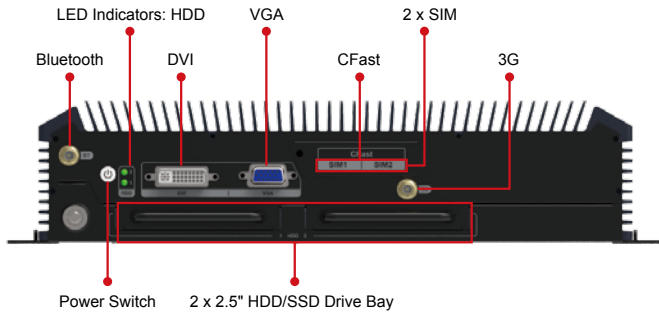


Specifications

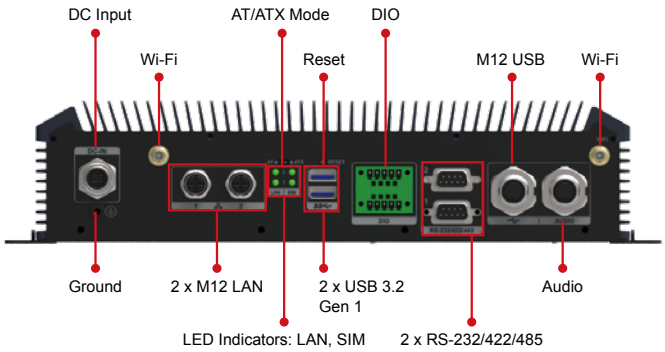
Model Name		IRS-100-ULT3
Chassis	Color	Blue C
	Dimensions (WxHxD) (mm)	290 x 225 x 69
	System Fan	Fanless
	Chassis Construction	Extruded aluminum alloy
Motherboard	CPU	Intel® Core™ i5-6300U 2.4 GHz (up to 3.0 GHz, dual-core, TDP 15W)
	Chipset	SoC
	System Memory	2 x SO-DIMM DDR4 2400 (4GB pre-installed)(up to 32GB)
Storage	Hard Drive	2 x 2.5" SATA 6Gb/s HDD/SSD removable bay
	C-Fast	1 x C-Fast card slot
I/O Interfaces	USB	2 x USB 3.2 Gen1 1 x USB 2.0 (M12)
	Ethernet	2 x M12: 2 x GbE by Intel® I211
	COM Port	2 x RS232/422/485 with AFC (DB9 with 1.5kV isolation)
	Digital I/O	8-bit Digital I/O (4-in/ 4-out)(with 1.5kV isolation)
	Display	1 x VGA (up to 1920 x 1200@60Hz) 1 x DVI-D (up to 1920 x 1200@60Hz)
	Audio	1 x Line-out, 1 x Mic-in
	Wireless	1 x 802.11a/b/g/n/ac (optional)
	Other	1 x Power Button, 1 x Reset Button, 1 x AT/ATX Switch, 2 x LED for HDD, 2 x LED for LAN, 2 x LED for SIM
Expansions	PCIe Mini	1 x Full-size with SIM card slot (PCIe/USB 2.0) 1 x Full-size with SIM card slot (PCIe/USB 2.0/SATA)
	Power Input	M12: 24/ 110V DC
Power	Power Consumption	4V @ 2A (Intel® i5-6300U with 4GB memory)
	Mounting	Wall mount
Reliability	Operating Temperature	-40 ~ 70°C with air flow (SSD), 10% ~ 95% non-condensing
	Storage Temperature	-40 ~ 85°C with air flow (SSD), 10% ~ 95% non-condensing
	Operating Shock	Compliant with EN 61373 Category 1 Class B
	Operating Vibration	Compliant with EN 61373 Category 1 Class B
	Weight (Net/Gross)	3.9KG/ 5.1KG
	Safety/EMC	CE/ FCC/ Compliance with EN50155, EN50121
	Watchdog Timer	Programmable 1 ~ 255 sec/min
	OS	Supported OS

Fully Integrated I/O

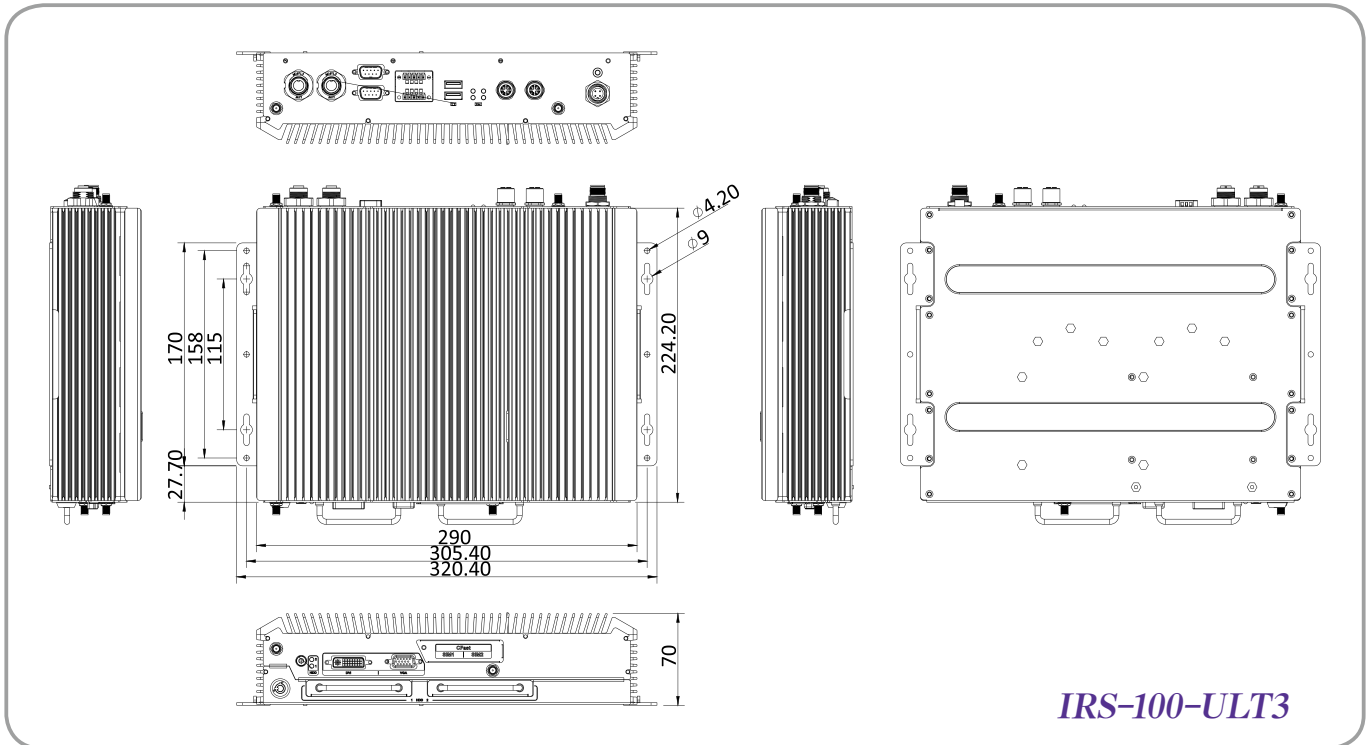
Front view



Rear view



Dimensions (Unit: mm)



Ordering Information

Part No.	Description
IRS-100-ULT3-I5/4G-R10	Fanless railway system with Intel® Core™ i5-6300U processor (15W), 4GB DDR4 pre-installed memory, two 2.5" SATA SSD bays, VGA, DVI, two M12 GbE LAN

Options

Item	Part No.	Description
OS	IRS-100-ULT3-WES7E64-R10	OS image with Windows® Embedded Standard 7 E 64-bit for IRS-100-ULT3, DVD-ROM, RoHS
DC cable	32002-009000-100-RS	Power cable, 2000 mm, 16AWG, M12 5-pin female; label: V+, V-, GND; RoHS
USB cable	32001-022700-200-RS	USB cable, 2000 mm, 24AWG; (A) Amphenol LTW: M12 5-pin male IP68 (12-05BMMA-SL8001), (B) USB Type A 4-pin female; RoHS
LAN cable	32013-003400-100-RS	LAN cable, 1000 mm, 26AWG; (A) METZ: M12 plug 8-pin (MNF881A315-001), (B) RJ-45 8P8C plug; RoHS
Audio cable	32007-005400-100-RS	Audio cable, 1200 mm, 28AWG; (A) Amphenol LTW: M12 5-pin male (12-05BMMA-SL8001), (B) DC stereo jack: 3.5mm*2; RoHS
Wireless kit	IRS-100-WIFI-KIT02-R10	1T1R Wi-Fi module kit for embedded system, IEEE802.11a/b/g/n/ac Wi-Fi with Bluetooth 4.0/3.0+HS, 1 x Wi-Fi module, 2 x antennas, 2 x cables RoHS
WWAN kit	IRS-100-3G-KIT02-R10	3G module kit for embedded system, F260, 1 x 3G module, 1 x antenna, 2 x cables, RoHS

Packing List

Item	Part No.	Qty	Description
Wall mount kit	41020-0474C2-00-RS	2	Wall mount bracket
Screw pack	44015-030061-RS	16	Screw pack