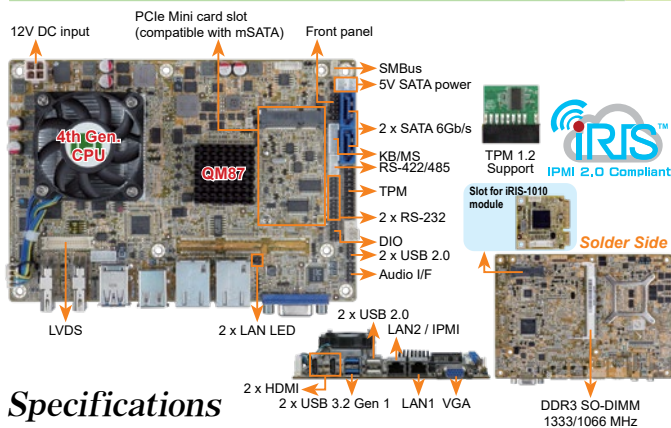


NANO-QM871-i1

EPIC SBC supports 4th Generation Intel® Mobile Processor with VGA/Dual HDMI/LVDS, Dual PCIe GbE, USB 3.2 Gen 1 (5Gb/s), PCIe Mini, iRIS-1010



Specifications

- CPU**
Intel® mobile Core™ i7-4700EQ on-board processor with Intel® AMT 9.0 support (2.4GHz, quad-core, 6MB cache, TDP=47W)
Intel® mobile Core™ i5-4400E on-board processor with Intel® AMT 9.0 support (2.7GHz, dual-core, 3MB cache, TDP=37W)
Intel® mobile Core™ i3-4100E on-board processor (2.4GHz, dual-core, 3MB cache, TDP=37W)
Intel® mobile Celeron® 2000E on-board processor (2.2GHz, dual-core, 2MB cache, TDP=37W)
Intel® mobile Core™ i5-4402E on-board processor with Intel® AMT 9.0 support (1.6GHz, dual-core, 3MB cache, TDP=25W)
Intel® mobile Core™ i3-4102E on-board processor (1.6GHz, dual-core, 3MB cache, TDP=25W)
Intel® mobile Celeron® 2002E on-board processor (1.5GHz, dual-core, 2MB cache, TDP=25W)
- Chipset:** Intel® QM87
- BIOS:** UEFI BIOS
- Memory:** One 204-pin 1600/1333 MHz dual-channel DDR3 & DDR3L SDRAM unbuffered DIMM supports up to 8 GB
- Graphics Engine**
Intel® HD Graphics Gen 7.5 supports DX11.1 and OpenCL 1.2, OpenGL 3.2 Full MPEG2, VC1, AVC Decode
- Display Output**
1 x VGA (up to 1920x1200@60Hz)
1 x 18/24-bit dual-channel LVDS (up to 1920x1200@60Hz)
2 x HDMI (up to 2500x1600@60Hz)
- TPM:** 1 x TPM connector (2x10 pin)
- SMBus:** 1 x SMBus (1x4 pin)
- Ethernet**
LAN1: Intel® I217-LM PHY with Intel® AMT 9.0 support
LAN2: Intel® I210-AT PCIe controller
- External I/O Interface**
2 x USB 2.0
2 x USB 3.2 Gen 1 (5Gb/s)
- Internal I/O Interface**
1 x KB/MS (1x6 pin)
1 x RS-422/485 (1x4 pin, P=2.0)
2 x RS-232 (2x5 pin, P=2.0)
2 x SATA 6Gb/s with 5V SATA power connector (RAID 0,1 supported)
2 x USB 2.0 (2x4 pin, P=2.0)
- iRIS Remote Management Module:** 1 x iRIS-1010 slot
- Audio**
Realtek ALC888S HD Audio codec
1 x Front audio (2x5 pin)
- Front Panel:** 1 x Front Panel (2x5 pin)
- LAN LED:** 2 x LAN LED (1x2 pin)
- Expansion**
1 x Full-size PCIe Mini card slot (supports mSATA)
1 x PCIe/104 Type 2 slot (optional)
- Watchdog Timer:** Software programmable, support 1~255 sec. system reset
- Digital I/O:** 8-bit digital I/O (2x5 pin)
- Fan Connector**
1 x CPU smart fan (1x4 pin)
1 x System smart fan (1x4 pin)
- Power Supply**
12V only DC input
1 x Internal power connector (2x2 pin)
Support AT/ATX mode
- Power Consumption**
12V@0.78A (Intel® Core™ i7-4770EQ 2.4GHz CPU with 4 GB 1333 MHz DDR3 memory)
- Operating Temperature:** -10°C ~ 60°C
- Storage Temperature:** -20°C ~ 60°C
- Operating Humidity:** 5% ~ 95%, non-condensing
- Dimensions:** 115 mm x 165 mm
- Weight:** GW: 850g / NW: 350g
- CE/FCC compliant**

Packing List

1 x NANO-QM871-i1 single board computer	
1 x Audio cable	2 x RS-232 cable
1 x CPU cooler	2 x SATA with power cable kit
1 x Power cable	1 x QIG

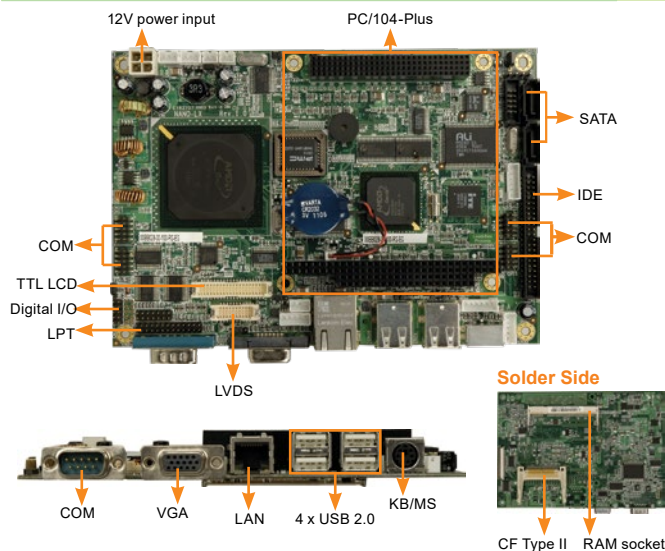
Ordering Information

Part No.	Description
NANO-QM871-i1-i7-R11	EPIC SBC supports Intel® 22nm Mobile Core™ i7-4700EQ on-board Processor with VGA/Dual HDMI/LVDS, Dual PCIe GbE, AMT 9.0, PCIe Mini, USB 3.2 Gen 1 (5Gb/s), SATA 6Gb/s, iRIS-1010, Audio and RoHS
NANO-QM871-i1-i5-R11	EPIC SBC supports Intel® 22nm Mobile Core™ i5-4400E on-board Processor with VGA/Dual HDMI/LVDS, Dual PCIe GbE, AMT 9.0, PCIe Mini, USB 3.2 Gen 1 (5Gb/s), SATA 6Gb/s, iRIS-1010, Audio and RoHS
NANO-QM871-i1-i3-R11	EPIC SBC supports Intel® 22nm Mobile Core™ i3-4100E on-board Processor with VGA/Dual HDMI/LVDS, Dual PCIe GbE, PCIe Mini, USB 3.2 Gen 1 (5Gb/s), SATA 6Gb/s, iRIS-1010, Audio and RoHS
NANO-QM871-i1-C-R11	EPIC SBC supports Intel® 22nm Celeron 2000E on-board Processor (37W) with VGA/Dual HDMI/LVDS, Dual PCIe GbE, PCIe Mini, USB 3.2 Gen 1 (5Gb/s), SATA 6Gb/s, iRIS-1010, Audio and RoHS
iRIS-1010-R10	iPIMI 2.0 adapter card with AST1010 BMC chip (W/O KVM over IP function) for PCIe Mini socket interface
32001-008600-200-RS	Dual-port USB 2.0 cable, 210mm. P=2.0
32006-001100-201-RS	PS/2 KB/MS cable, 135mm/110mm, P=2.0
32205-003800-300-RS	RS-422/485 cable, 200mm, P=2.0
TPM-IN01-R20	20-pin Infineon TPM module, software management tool, firmware v3.17

Note: Models with other CPUs not listed in the table are requested by MOQ - 100 pcs/lot.

NANO-LX

EPIC SBC with AMD LX800 CPU, Audio, VGA/LVDS, SATA and RAID 0, 1, JBOD Function Support



Features

- EPIC form factor AMD LX800 processor embedded board with RoHS compliant
- DDR 400 MHz SO-DIMM SDRAM up to 1 GB
- VGA, 24-bit TTL, and 18-bit single-channel LVDS
- SATA RAID 0, 1, JBOD function support
- Complete I/O support with two SATA, IDE, PC/104-Plus and four USB 2.0

Specifications

- CPU**
AMD Geode™ LX800 (500 MHz) processor
- Chipset:** AMD Geode LX800 + AMD CS5536
- BIOS:** AWARD
- System Memory**
One 200-pin 400/333 MHz DDR SDRAM SO-DIMM supports up to 1GB
- Ethernet**
LAN: 10/100Mbps Realtek RTL8100C
- External I/O Interface**
1 x PS/2 KB/MS
1 x RS-232
4 x USB 2.0
- Internal I/O Interface**
1 x CF Type II
1 x IDE
1 x LPT
1 x RS-232/422/485
4 x USB 2.0
2 x SATA (VIA VT6421A RAID 0, 1 function support)
- Expansion**
1 x PC/104 slot (ISA)
1 x PCI-104 slot (PCI)
- Audio:** Realtek ALC203 with AC'97 codec
- Digital I/O:** 8-bit digital I/O (2x5 pin)
- Infrared Interface:** 1 x Infrared interface (1x5 pin)
- Display Output**
1 x VGA (up to 1920x1440@60Hz)
1 x 24-bit single-channel TTL (up to 1600x1200@60Hz)
1 x 18-bit single-channel LVDS (up to 1280x1024@60Hz)
- Watchdog Timer:** Software programmable supports 1~255 sec. system reset
- Power Supply:** 12V only DC input
1 x Internal power connector (2x2 pin)
support AT/ATX mode
- Power Consumption:** 12V@0.92A (AMD LX800 with 400 MHz 256MB DDR RAM)
- Operating Temperature:** 0°C ~ 60°C
- Storage Temperature:** -10°C ~ 70°C
- Operating Humidity:** 5% ~ 95%, non-condensing
- Dimensions:** 115 mm x 165 mm
- Weight:** GW: 950g / NW: 350g
- CE/FCC compliant**

Packing List

1 x NANO-LX single board computer	1 x SATA power cable
1 x Audio cable	2 x RS-232 port cable
1 x IDE flat cable 44p/44p	2 x SATA cable
1 x KB/MS Y cable	1 x Mini jumper pack
1 x Power cable	1 x QIG

Ordering Information

Part No.	Description
NANO-LX-800-R12	EPIC SBC, AMD LX800 500 MHz processor, VGA/LVDS/TTL, LAN, SATA and Audio
32102-022100-100-RS	ATX power cable, 300mm
32200-015100-RS	LPT cable, 280mm, P=2.0
19800-004300-100-RS	RS-232 & RS-422/485 cable with bracket, 14-pin to two DB-9, 250mm, P=2.0