

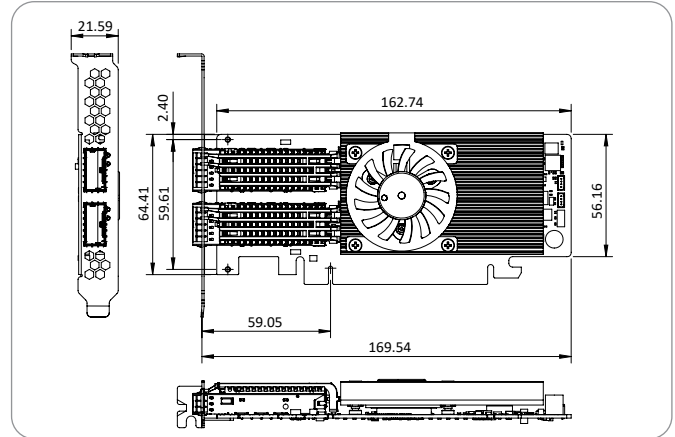
LAN-100G2SF-E810

Intel® Ethernet Controller EZE810CAM2 based PCIe Card with 2 x QSFP28 by 1 PCIe 4.0 x16 interface

New



Dimensions



Features

- 1 x Intel E810 Ethernet controller
- 2 ports 100GbE QSFP28 connector
- 1 x PCIe 4.0 x16

Specifications

- ◆ Form Factor: Low profile PCI Express® add on card
- ◆ NIC: Intel® E810
- ◆ LAN Interface: QSFP28
- ◆ Speed: 100GbE
- ◆ LAN Ports: 2 x LAN ports
- ◆ Host Interface: 1 PCIe 4.0 x16
- ◆ Storage Temperature: -20°C ~ 75°C (-4°F ~ 167°F)
- ◆ Operating Temperature: 0°C ~ 40°C (32°F ~ 104°F)
- ◆ Operating Humidity: 5% ~ 90% RH, Non-condensing
- ◆ Dimensions (mm): 165.50 (L) x 77.8 (W) x 44.2 (H)
- ◆ RoHS compliant

Packing List

1 x LAN-100G2SF-E810 Module

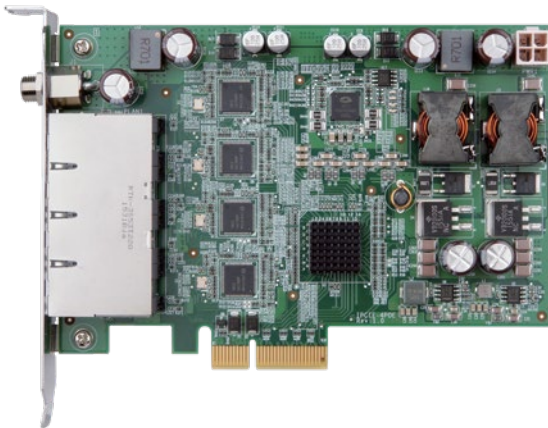
1 x QIG

Ordering Information

Part No.	Description
LAN-100G2SF-E810-R10	Intel® Ethernet Controller EZE810CAM2 based PCIe Card with 2 x QSFP28 by 1 PCIe 4.0 x16 interface

IPCIE-4POE

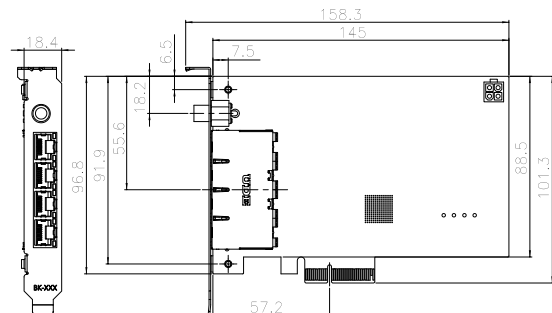
PCI Express Power over Ethernet card, 4-port 1000 Base(T), 802.3af compliant



Features

- PCI Express® x4 compliant
- Support for IEEE 802.3af for PoE (Power over Ethernet) with 15.4 watts per port
- Support link aggregation/jumbo frames (9 Kbyte)
- Supports 12~24 AT/ATX DC input power

Dimensions (mm)



Specifications

- ◆ Interface: PCI Express® x4
- ◆ Ethernet: Intel® i210 AT controller, 9kB jumbo frame, IEEE 802.3az, IEEE 1588
- ◆ PoE Capability: IEEE 802.3af, 15.4W / 48V DC per port
- ◆ PWR Input: 12~24V DC input, Internal DC input (2x2 ATX), External DC input (Φ2.1/Φ5.5)
- ◆ Operating Temperature: 0°C ~ 60°C
- ◆ Storage Temperature: -10°C ~ 70°C
- ◆ Operating Humidity: 5% ~ 95%, non-condensing
- ◆ CE/FCC compliant

Packing List

1 x IPCIE-4POE card

1 x QIG

Ordering Information

Part No.	Description
IPCIE-4POE-R10	PCI Express Power over Ethernet card, 4-port 1000 Base(T), 802.3af compliant
63040-010090-120-RS	Adapter power, FSP, FSP090-DIEBN2, 9NA0904712, Vin: 90~264VAC, 90W, Plug=7.5mm, Cable=1500mm, Erp (no load 0.5W), Vout: 19VDC, Φ2.1/Φ5.5/lock, CCL, RoHS
63040-010065-200-RS	Adapter power, FSP, FSP065-REBN2, 9NA0654709, Vin: 90~264VAC, 65W, Dim: 46.3x108.3x30mm, Plug=7.5mm, Cable=1500mm, Erp (no load 0.1W), Vout: 19VDC, Φ2.1/Φ5.5/lock, CCL, RoHS