

IOVU-210AR-RK39

10.1" RISC-based Panel PC



Features

- 10.1" 1280x800 LCD
- Project Capacitive Touch Screen
- CPU: Rockchip RK3399 (Dual-core Cortex-A72 up to 1.8GHz + Quad-core Cortex-A53 up to 1.5GHz)
- OS: Android 7.1 / Linux
- Boot Flash: 16GB eMMC Nand Flash
- RAM: 2GB LPDDR3-1866
- Grove Interface IOT Sensor connectors



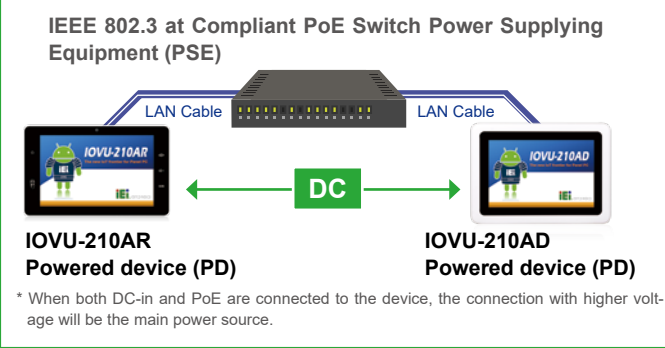
Specifications

| Model | | IOVU-210AR-RK39 |
|------------------------|---------------------------------|---|
| Chassis | Color | White |
| | Dimensions (WxHxD) (mm) | 282.5 x 174.3 x 26.8 |
| | System Fan | Fanless |
| | Chassis Construction | PC + ABS plastic |
| Display | Size | 10.1" |
| | Resolution | 800(RGB) x 1280 |
| | Brightness (cd/m ²) | 350 cd/m ² (typ.) |
| | Contrast Ratio | 800:1 (typ.) |
| | Pixel Pitch (mm) | 0.0564 (H) × RGB × 0.1692 (V) |
| | Viewing Angle (H/V) | 85/85/85/85 Deg. |
| | Touchscreen | Project Capacitive |
| Motherboard | CPU | Rockchip RK3399 (Dual-core Cortex-A72 up to 1.8GHz + Quad-core Cortex-A53 up to 1.5GHz) |
| | System Memory | 2GB LPDDR3-1866 |
| Storage | SD Card | 1 x Micro SD slot |
| | Flash | 16GB eMMC NAND FLASH |
| Communication | WLAN | 802.11 a/b/g/n/ac |
| | Bluetooth | Bluetooth V4.1 |
| | RFID | 13.56 MHz ISO4443 A/B, read-write capable, ISO 14443A (MIFARE), ISO 14443B (FeliCa) |
| I/O Interfaces | COM port | 1 x RS-232 (4 pin wafer connector) 1 x RS-232/422/485 (4 pin terminal block) 2 x UART pin header with 3V (internal) |
| | GPIO | 1 x 4 bit (2 in, 2 out) 2 x 2 bit (1 in, 1 out) |
| | Ethernet | 1 x GbE RJ45 by RTL8211E with PoE (PD) 1 x GbE RJ45 by RTL8211E |
| | USB 3.2 Gen 1 | 1 x USB 3.2 Gen 1 (5Gb/s) Type A |
| | USB 2.0 | 1 x USB 2.0 Type A |
| | Others | 2 x USB 2.0 pin header (internal) 3 x I ² C sensor connectors (3V) |
| Multimedia | Audio | 2 x Speaker (1.5W), 1 x Digital Mic in |
| | Camera | Front 5-megapixel (CMOS) |
| LED Indicator & Button | Indicator | 1 x Power LED 1 x RFID LED |
| | Button | 1 x Reset button 2 x Volume key (up / down) on screen 1 x SOS key on screen |
| Power | Power Input | DC 9 V~30 V * DC input: φ2.5/5.5mm DC Jack * PoE: IEEE 802.3 at standard (Power Device) |
| | Power Consumption | 12V @ 1.1A |
| Reliability | Mounting | Panel mount, In wall cage |
| | Operating Temperature | -10°C ~ 50°C with air flow |
| | Storage Temperature | -20°C ~ 60°C |
| | Humidity | 10% ~ 90%, non-condensing |
| | Weight (Net) | 0.85 kg |
| | Safety/EMC | CE/FCC Class B compliant |
| OS | Supported OS | Android 7.1 / Linux |
| | Watch dog timer | Yes |

* When both DC-in and PoE are connected to the device, the connection with higher voltage will be the main power source.

Power over Ethernet supported
Both of data transfer and power supply through one single LAN cable.

- Simplify the construction.
- Dual power input design.



Ordering Information

| Part No. | Description |
|------------------------|---|
| IOVU-210AR-RK39-R11-TW | 10.1" TFT-LCD; Rockchip 3399 Processor, 2GB LPDDR3 , 16GB eMMC Flash, Camera, WIFI/BT, POE 802.3at, COM port, DIO, 4pin sensor connector, Front Camera, NFC, TW reg, ROHS |
| IOVU-210AR-RK39-R11-CN | 10.1" TFT-LCD; Rockchip 3399 Processor, 2GB LPDDR3 , 16GB eMMC Flash, Camera, WIFI/BT, POE 802.3at, COM port, DIO, 4pin sensor connector, Front Camera, NFC, CN reg, ROHS |
| IOVU-210AR-RK39-R11-EU | 10.1" TFT-LCD; Rockchip 3399 Processor, 2GB LPDDR3 , 16GB eMMC Flash, Camera, WIFI/BT, POE 802.3at, COM port, DIO, 4pin sensor connector, Front Camera, NFC, EU reg, ROHS |
| IOVU-210AR-RK39-R11-US | 10.1" TFT-LCD; Rockchip 3399 Processor, 2GB LPDDR3 , 16GB eMMC Flash, Camera, WIFI/BT, POE 802.3at, COM port, DIO, 4pin sensor connector, Front Camera, NFC, US reg, ROHS |

Packing List

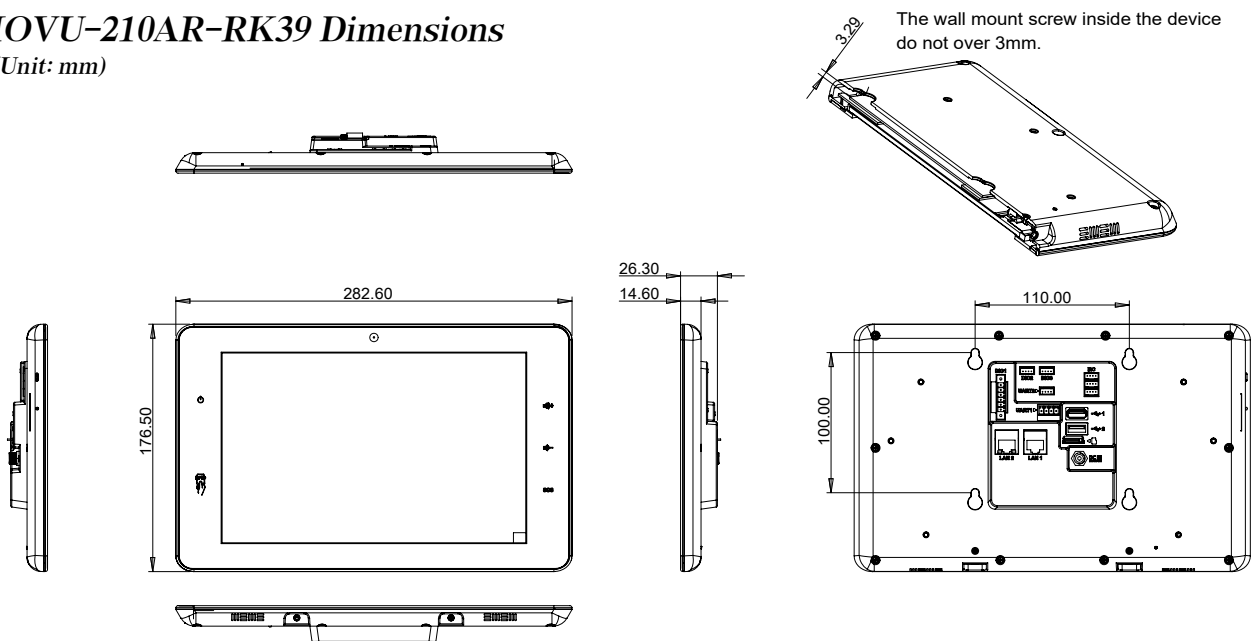
- 1 x IOVU-210AR Device
- 1 x Wall mount bracket
- 1 x Screw set

Options

| Item | Part No. | Description |
|---------------|---------------------|----------------------------------|
| Power Adapter | 63040-010060-120-RS | Vin:90~264VAC;60W;Φ2.5/Φ5.5/lock |
| In Wall Cage | 41320-0490E4-00-RS | In wall bracket for IOVU-210AR |

IOVU-210AR-RK39 Dimensions

(Unit: mm)



IOVU-210AR-RK39

