

# PuIM-1G8T-BCM5720

Broadcom BCM5720 based Network Interface Card with 8 x RJ-45 by 4 PCIe 2.0 x2 Interface



## Features

- 4 x Broadcom BCM5720
- 8 ports RJ-45 connector
- 4 PCIe 2.0 x2
- RoHS compliant

## Specifications

Model Name	PuIM-1G8T-BCM5720
Form Factor	IEI Networking Module - PuIM
NIC	Broadcom BCM5720
LAN Bypass	N/A
LAN Interface	RJ-45
Speed	GbE
Ports	8
Host Interface	4 PCIe 2.0 x2
Storage Temp.	-20°C ~ 75°C (-4°F ~ 167°F)
Operating Temp.	0°C ~ 40°C (32°F ~ 104°F)
Humidity	5% ~ 90% RH, Non-condensing
Dimensions (mm)	165.50 (L) x 77.8 (W) x 44.2 (H)
Compliance	RoHS

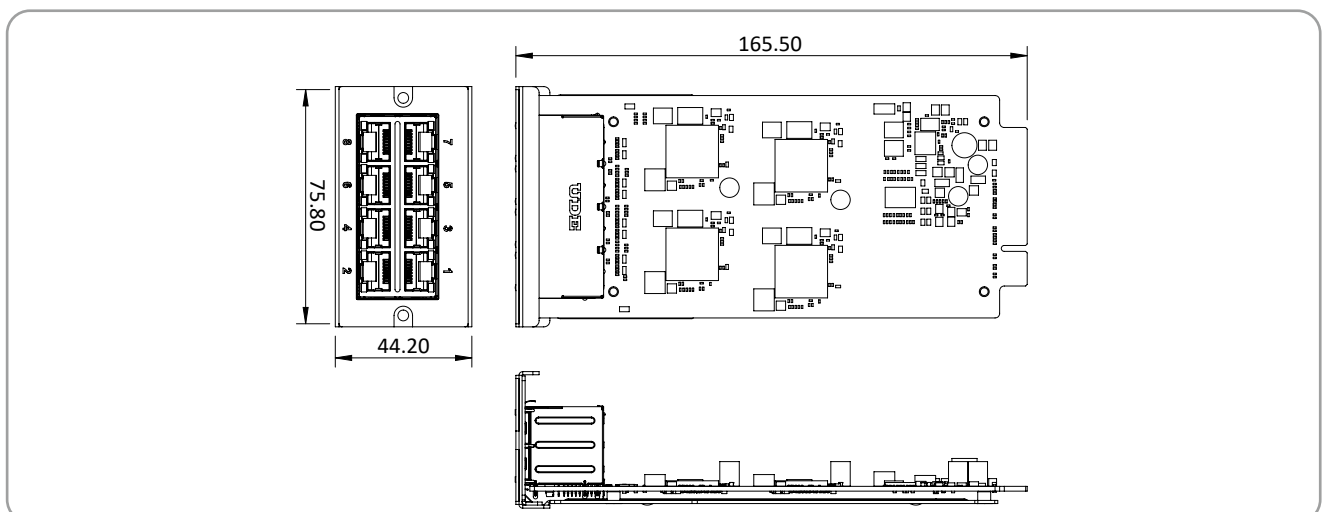
## Packing List

1 x PuIM-1G8T-BCM5720 module	1 x L-shaped T10 Plum Wrench
2 x Trox Screws	1 x QIG

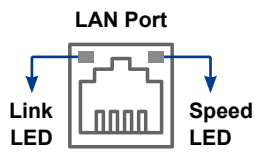
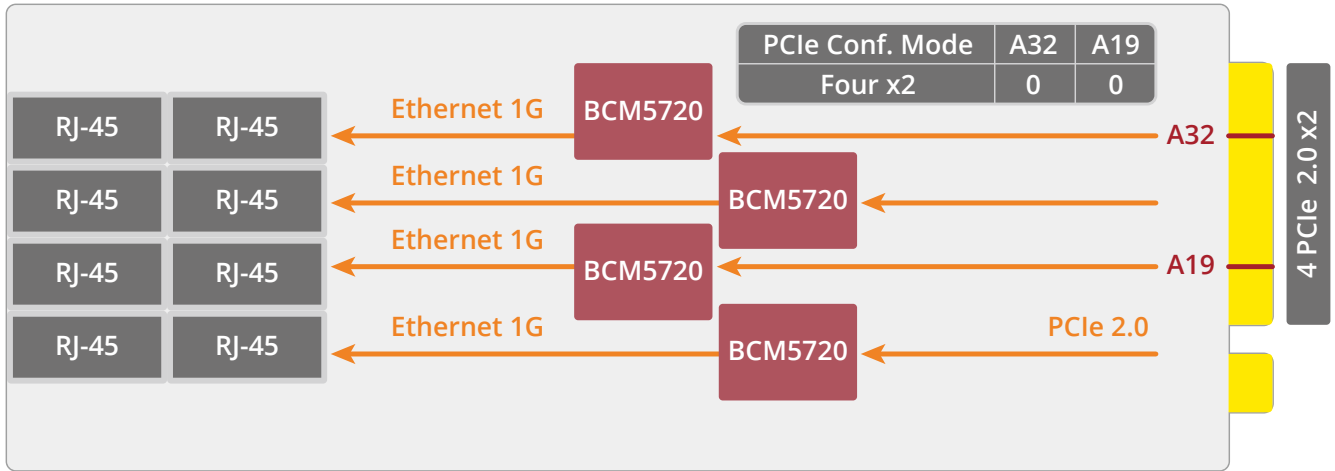
## Ordering Information

Part No.	Description
PuIM-1G8T-BCM5720-R10	Broadcom BCM5720 based network interface card with eight RJ-45 by 4 PCIe 2.0 x2 interface, RoHS

## Dimensions (Unit: mm)



## Block Diagram



LED	State	Description
Link (Left)	Yellow <span style="color: yellow;">■</span>	Active
Speed (Right)	Green <span style="color: green;">■</span>	1 Gbps data rate
	Orange <span style="color: orange;">■</span>	100 Mbps data rate

## Hardware Installation

Install the PuIM-1G8T-BCM5720 networking module into the slot of the PUZZLE series. The Slot A supports 8 lanes from CPU (1 PCIe x8 or 2 PCIe x4); the Slot B supports 8 lanes from PCH (2 PCIe x4 or 4 PCIe x2).

When the PuIM-1G8T-BCM5720 is installed into the Slot A, only four LAN ports (port 1, port 2, port 5 & port 6) are active.

