

HSC-13M4-E

USB 3.1 Gen 1 (5Gb/s) Monochrome Camera & Opto-isolated I/O, 1/1.8" E2V CMOS, Global Shutter, 1280x1024 Pixels, without Lens, RoHS

New



7/8, 1/10
Windows

32/64
Bit

USB 3.1



Features

- Compact 1/1.8" E2V CMOS sensor
- Large pixel: 5.3 μm
- Resolution: 1280 x 1024 (1.3-megapixel)
- Frame rates up to 60FPS with 1280 x 1024 resolution
- Global shutter
- USB3 Vision V1.0 & GenICam standard
- IEI SDK

Specifications

◆ Camera

Resolution	1280 x 1024
Frame Rate (fps)	60FPS (Max)
Megapixels	1.3-megapixel
Chrome	Mono
Sensor Name	E2V EV76C560
Sensor Type	CMOS
Readout Method	Global shutter
Sensor Size (inch)	1/1.8"
Pixel Size (μm)	5.3 μm
Lens Mount	CS-mount
A/D Bits (ADC)	8-bit/10-bit
Acquisition Modes	Continuous, Single Frame, Multi Frame
Partial Image Modes	Pixel binning, decimation, ROI
Opto-isolated I/O Ports	1 input, 1 output
Non-isolated I/O Ports	1 RS-232
Auxiliary Output	5V, 100 mA max
Interface	USB 3.1 Gen 1 (5Gb/s)
Machine Vision Standard	USB3 Vision v1.0
Compliance	CE, FCC

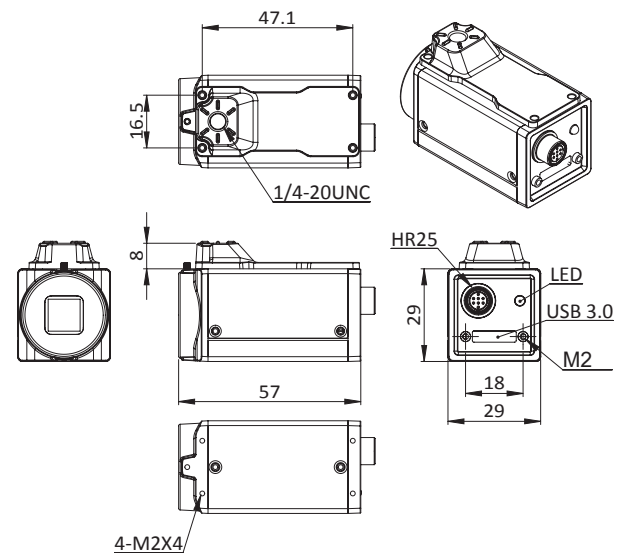
◆ Software Support

OS Support	Microsoft Windows 7/8.1/10 (32-bit & 64-bit)
SDK	Windows: Provides SDK and demo program with sample source code

◆ Others

Dimensions (mm)	29 mm x 29 mm x 57 mm
Weight (grams)	85g
Operating Temperature	0° ~ 50°C
Storage Temperature	-30° ~ 60°C
Operating Humidity	20% ~ 80%
Storage Humidity	30% ~ 95%
Power Requirements	5V via USB 3.1 Gen 1 (5Gb/s) or 6-18V via Opto-isolated input

Dimensions (Unit: mm)



Packing List

1 x HSC-13M4-E	1 x Mounting bracket
1 x CS to C mount adapter	1 x QIG

Ordering Information

Part No.	Description
HSC-13M4-E-R10	USB 3.1 Gen 1 (5Gb/s) monochrome camera & opto-isolated I/O, 1/1.8" E2V CMOS, global shutter, 1280x1024 pixels, without lens, RoHS
32001-019800-100-RS	USB 3.1 Gen 1 (5Gb/s) cable, 1800mm, USB 3.1 Gen 1 (5Gb/s) A type male and micro USB 3.1 Gen 1 (5Gb/s) B type male+screw, RoHS
32033-001000-100-RS	IO connecting cable with an 8-pin male connector (HR25-7TP-8P), flying leads in 3 meter lengths, 28AWG, RoHS (custom lengths upon request)
71003-M1620MPW2-RS	Camera lens, 2/3", focal length 16mm, F2.0 C-Mount, RoHS
71003-M3514MP-RS	Camera lens, 2/3", focal length 35mm, F1.4 C-Mount, RoHS
71003-SV1214V-RS	Camera lens, 1/2", focal length 12mm, F1.4 C-Mount, RoHS
71003-SV1614V-RS	Camera lens, 2/3", focal length 16mm, F1.4 C-Mount, RoHS
71003-SV2514V-RS	Camera lens, 1", focal length 25mm, F1.4 C-Mount, RoHS