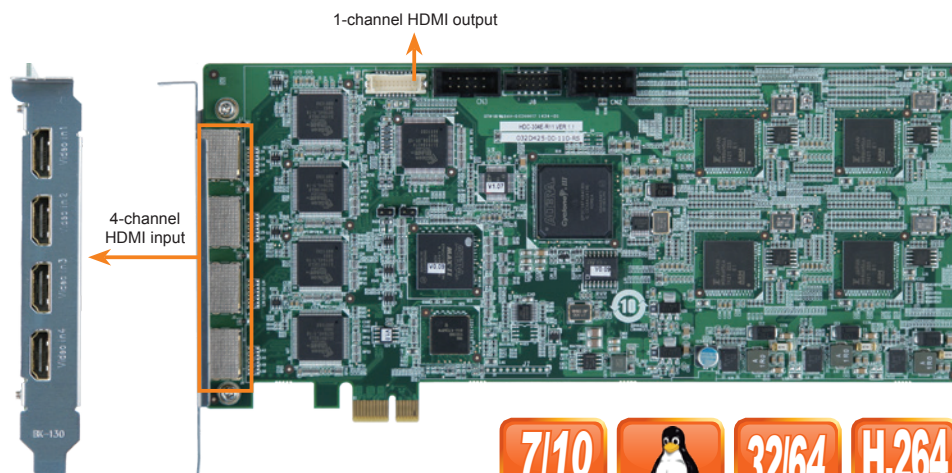


HDC-304E

PCI Express Video/Audio Capture Card with Four Channel HDMI Inputs and One Channel HDMI Output, 1920x1080@60p, and H.264 Hardware Codec



H.264 Hardware Codec



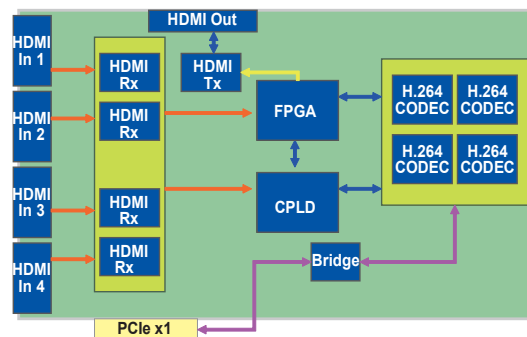
HDMI output cable



Features

- 4-channel HDMI input with H.264 hardware compression and 1-channel HDMI output
- High quality video encoding or decoding up to 1080p60
- HDMI output port supports playback video file captured by HDC-30X series cards
- Enables the system to support up to 8-channel input by adding multiple video capture cards. The HDC-304E installed in IEI systems and backplanes could support over 8 channel inputs under Linux environment (supported capability may vary depending on customers' needs).
- Low power consumption
- SDK available for customer to create customized applications
- Windows/Linux OS supported

System Block



Specifications

◆ Interface

Video Input	4 channels
Video Input type	HDMI
Audio Input	4 channels
Audio Input Type	HDMI
Video Output	1 channel
Video Output Type	HDMI output cable kit
Audio Output	1 channel
Audio Output Type	HDMI output cable kit
Bus Interface	PCIe x1
Loop Through	1 channel

◆ Video Processing

Video Compression	H.264/AVC High Profile Level 4.2
Input Resolution & Frame Rate	1920 x 1080 x 60p / 59.94p / 50p 720 x 480 x 60i / 59.94i 1920 x 1080 x 60i / 59.94i / 50i 720 x 576 x 50i 1280 x 720 x 60p / 59.94p / 50p
Record Resolution / Frame Rate / Bit Rate	1920 x 1080 x 60p / 59.94p / 50p, encoding video -bit rate from 6Mbps to 20Mbps 1920 x 1080 x 60i / 59.94i / 50i, encoding video -bit rate from 6Mbps to 20Mbps 1280 x 720 x 60p / 59.94p / 50p, encoding video -bit rate from 4Mbps to 20Mbps 720 x 480 x 60i / 59.94i, encoding video -bit rate from 2Mbps to 10Mbps 720 x 576 x 50i, encoding video -bit rate from 2Mbps to 10Mbps

◆ Functionality

Multiple Card Support	2 cards, 8 channels
-----------------------	---------------------

◆ Audio Processing

Audio Compression	MPEG-1 Audio Layer 2
Bit Rate	256k

◆ System Requirement

System	x86 PC compatible computer, Intel® Pentium® 4 2.0GHz or above for video record Recommends using a DXVA or CUDA capable graphics card for real-time video playback
Memory	1GB or more

◆ Software Support

OS Support	Microsoft Windows 7/10 (32-bit & 64-bit) Linux: Ubuntu 16.04 (64-bit) Kernel version: 4.4.0-21 x64
SDK	Windows: Provides SDK and demo program with sample source code Linux: Provides SDK and demo program with sample source code

◆ Others

Dimensions	230 mm x 116 mm
Operating Temperature	0°C ~ 65°C, non-condensing
Power Consumption	12.7W (12V@0.61A, 3.3V@1.63A)

Packing List

1 x HDC-304E capture card	
1 x HDMI output kit	1 x QIG

Ordering Information

Part No.	Description
HDC-304E-R11	PCI Express video/audio capture card with four channel HDMI inputs and one channel HDMI output, 1920x1080@60p, and H.264 hardware codec