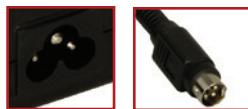


FSP120-ABBN2

120 W AC/DC Adapter



Plug Type: Power mini-DIN (4P)

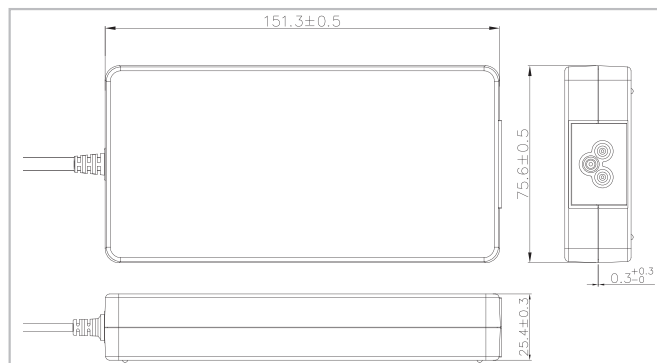
****Meet ErP & PSE**

Specifications

- Input Voltage Range: 90-264 VAC
- Input Frequency: 47-63 Hz
- Output Voltage: 19 V
- Output Current: 6.32 A
- Output Watts: 120 W
- Efficiency: 91.57%
- Operating Temperature: 0°C ~ 40°C
- Storage Temperature: -20°C ~ 80°C



Dimensions (Unit: mm)



Ordering Information

| Part No. | Description |
|---------------------|---|
| 63040-010120-210-RS | 19 V 120W power adapter, 90~264 VAC input, ErP, PSE |

FSP096-AHAN2

96 W AC/DC Adapter



Plug Type: Power mini-DIN (4P)

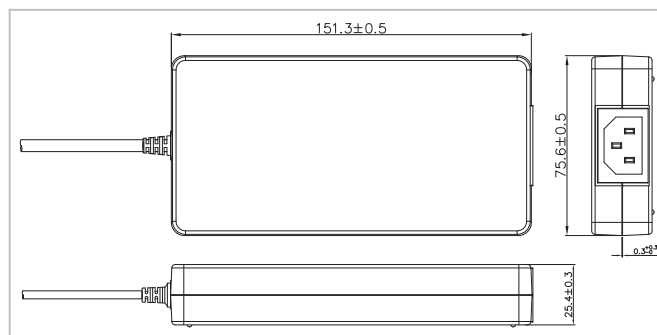
****Meet ErP & PSE**

Specifications

- Input Voltage Range: 90-264 VAC
- Input Frequency: 47-63 Hz
- Output Voltage: 12 V
- Output Current: 8 A
- Output Watts: 96 W
- Efficiency: 89%
- Operating Temperature: 0°C ~ 40°C
- Storage Temperature: -20°C ~ 80°C



Dimensions (Unit: mm)



Ordering Information

| Part No. | Description |
|---------------------|--|
| 63040-010096-100-RS | 12V 96W power adapter with DIN 4-pin/lock 90~264 VAC input, ErP, PSE |

FSP090-DIEBN2

87 W AC/DC Adapter



Plug Type: Power mini-DIN (4P)

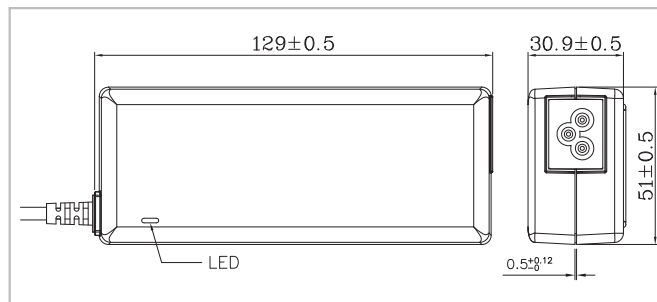
****Meet ErP & PSE**

Specifications

- Input Voltage Range: 90-264 VAC
- Input Frequency: 47-63 Hz
- Output Voltage: 19 V
- Output Current: 4.74 A
- Output Watts: 87 W
- Efficiency: 86%
- Operating Temperature: 0°C ~ 40°C
- Storage Temperature: -30°C ~ 60°C



Dimensions (Unit: mm)



Ordering Information

| Part No. | Description |
|---------------------|---|
| 63040-010090-101-RS | 19V 90W power adapter with DIN 4-pin/lock 90~264 VAC input, ErP |