

IOVU-210AR-RK39

10.1" RISC-based Panel PC

NEW



Features

- 10.1" 1280x800 LCD
- Project Capacitive Touch Screen
- CPU: Rockchip RK3399 (Dual-core Cortex-A72 up to 1.8GHz + Quad-core Cortex-A53 up to 1.5GHz)
- OS: Android 7.1
- Boot Flash: 16GB eMMC Nand Flash
- RAM: 2GB LPDDR3-1866
- Grove Interface IOT Sensor connectors



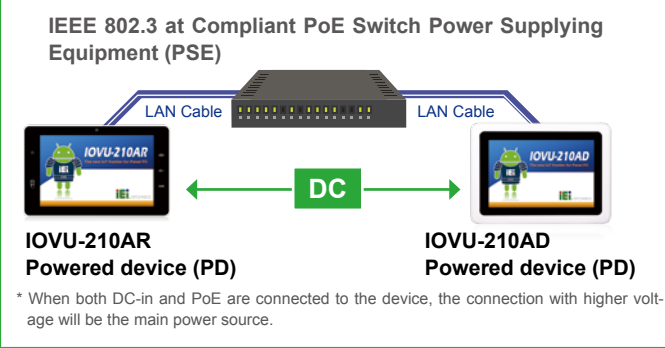
Specifications

Model		IOVU-210AR-RK39
Chassis	Color	White
	Dimensions (WxHxD) (mm)	282.5 x 174.3 x 26.8
	System Fan	Fanless
	Chassis Construction	PC + ABS plastic
Display	Size	10.1"
	Resolution	800(RGB) x 1280
	Brightness (cd/m ²)	250 cd/m ² (typ.)
	Contrast Ratio	800:1 (typ.)
	Pixel Pitch (mm)	0.0564 (H) × RGB × 0.1692 (V)
	Viewing Angle (H/V)	85/85/85/85 Deg.
	Touchscreen	Project Capacitive
Motherboard	CPU	Rockchip RK3399 (Dual-core Cortex-A72 up to 1.8GHz + Quad-core Cortex-A53 up to 1.5GHz)
	System Memory	2GB LPDDR3-1866
Storage	SD Card	1 x Micro SD slot
	Flash	16GB eMMC NAND FLASH
Communication	WLAN	802.11 a/b/g/n/ac
	Bluetooth	Bluetooth V4.1
	RFID	13.56 MHz ISO4443 A/B, read-write capable, ISO 14443A (MIFARE), ISO 14443B (FeliCa)
I/O Interfaces	COM port	1 x RS-232 (4 pin wafer connector) 1 x RS-232/422/485 (4 pin terminal block) 2 x UART pin header with 3V (internal)
	GPIO	1 x 4 bit (2 in, 2 out) 2 x 2 bit (1 in, 1 out)
	Ethernet	1 x GbE RJ45 by RTL8211E with PoE (PD) 1 x GbE RJ45 by RTL8211E
	USB 3.1 Gen 1	1 x USB 3.1 Gen 1 (5Gb/s) Type A
	USB 2.0	1 x USB 2.0 Type A
	Others	2 x USB 2.0 pin header (internal) 3 x I ² C sensor connectors (3V)
Multimedia	Audio	2 x Speaker (1.5W), 1 x Digital Mic in
	Camera	Front 5-megapixel (CMOS)
LED Indicator & Button	Indicator	1 x Power LED 1 x RFID LED
	Button	1 x Reset button 2 x Volume key (up / down) on screen 1 x SOS key on screen
Power	Power Input	DC 9 V~30 V * DC input: φ2.5/5.5mm DC Jack * PoE: IEEE 802.3 at standard (Power Device)
	Power Consumption	12V @ 1.1A
Reliability	Mounting	Panel mount, In wall cage
	Operating Temperature	-10°C ~ 50°C with air flow
	Storage Temperature	-20°C ~ 60°C
	Humidity	10% ~ 90%, non-condensing
	Weight (Net)	0.85 kg
	Safety/EMC	CE/FCC Class B compliant
	OS	Supported OS
	Watch dog timer	Yes

* When both DC-in and PoE are connected to the device, the connection with higher voltage will be the main power source.

Power over Ethernet supported
Both of data transfer and power supply through one single LAN cable.

- Simplify the construction.
- Dual power input design.



Ordering Information

Part No.	Description
IOVU-210AR-RK39-R10-TW	10.1" TFT-LCD; Rockchip 3399 Processor, 2GB LPDDR3 , 16GB eMMC Flash, Camera, WIFI/BT, POE 802.3at, COM port, DIO, 4pin sensor connector, Front Camera, NFC, TW reg, ROHS
IOVU-210AR-RK39-R10-CN	10.1" TFT-LCD; Rockchip 3399 Processor, 2GB LPDDR3 , 16GB eMMC Flash, Camera, WIFI/BT, POE 802.3at, COM port, DIO, 4pin sensor connector, Front Camera, NFC, CN reg, ROHS
IOVU-210AR-RK39-R10-EU	10.1" TFT-LCD; Rockchip 3399 Processor, 2GB LPDDR3 , 16GB eMMC Flash, Camera, WIFI/BT, POE 802.3at, COM port, DIO, 4pin sensor connector, Front Camera, NFC, EU reg, ROHS
IOVU-210AR-RK39-R10-US	10.1" TFT-LCD; Rockchip 3399 Processor, 2GB LPDDR3 , 16GB eMMC Flash, Camera, WIFI/BT, POE 802.3at, COM port, DIO, 4pin sensor connector, Front Camera, NFC, US reg, ROHS

Packing List

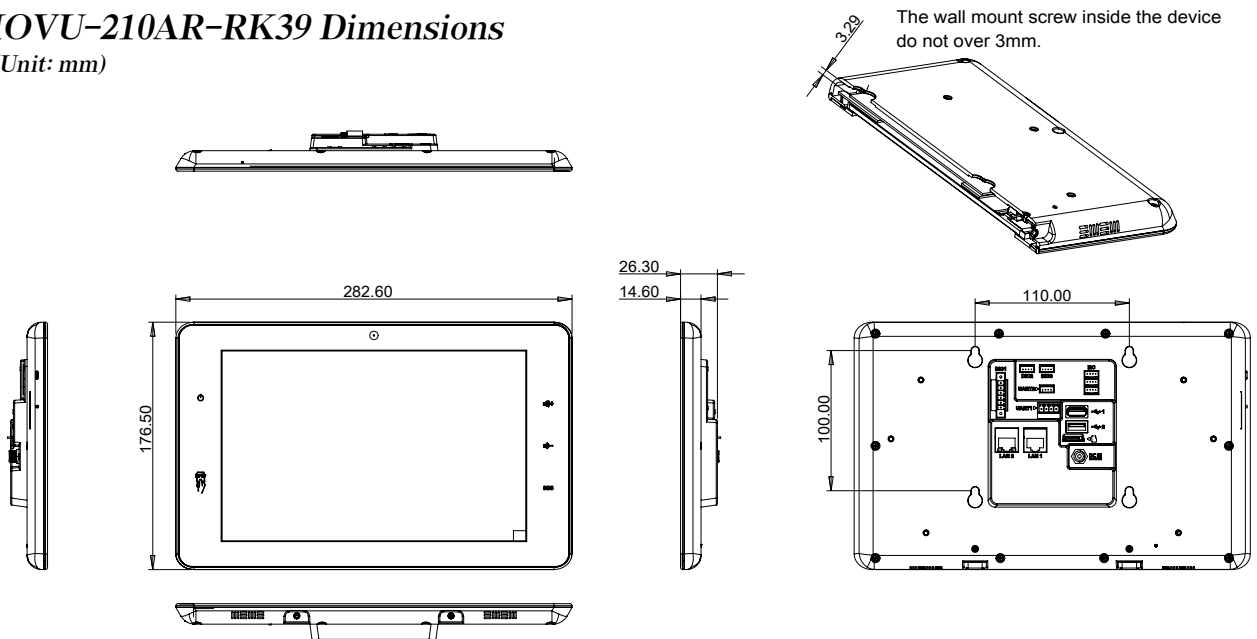
- 1 x IOVU-210AR Device
- 1 x Wall mount bracket
- 1 x Screw set

Options

Item	Part No.	Description
Power Adapter	63040-010060-120-RS	Vin:90~264VAC;60W;Φ2.5/Φ5.5/lock
In Wall Cage	41320-0490E4-00-RS	In wall bracket for IOVU-210AR

IOVU-210AR-RK39 Dimensions

(Unit: mm)



IOVU-210AR-RK39

