

EBC-1100 Embedded Chassis for 3.5" SBC



Features

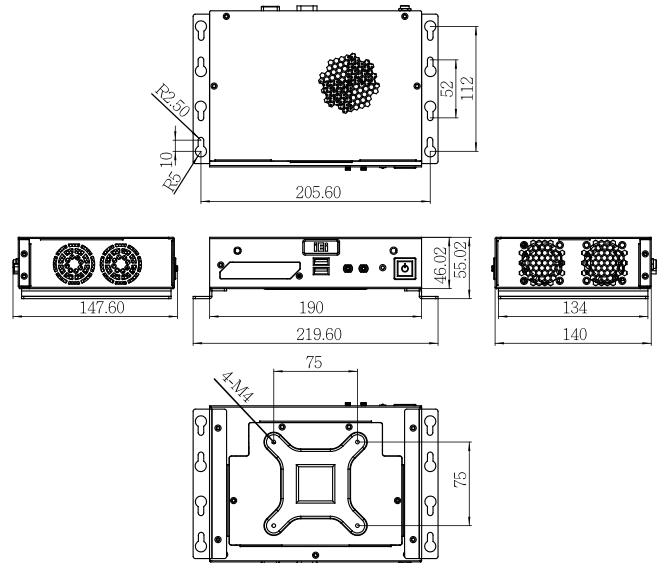
- Designed for WAFER-BT-E38001W2 SBC with single voltage input
- One 2.5" hard drive capacity and two PCIe Mini expansion slots
- On-board memory and on-board SSD for choice
- Flexible E-Window tool kit support
- -40°C ~ 75°C wide temperature support



Specifications

Model Name		EBC-1100
Platform		Chassis only
Chassis	Color	Black
	Dimensions (WxDxH) (mm)	190 x 140 x 46
	System Fan (WxDxH) (mm)	Refer to MB
	Chassis Construction	Aluminum alloy with heavy duty metal
Motherboard	Motherboard Model	WAFER-BT-E38001W2
	Processor	Intel® Atom™ E3800 series on-board SoC
	Chipset	SoC
	System Memory	4GB solder-down 1066/1333 MHz DDR3L memory for E3845 2GB solder-down 1066/1333 MHz DDR3L memory for other SKUs
Storage	Hard Drive	1 x 2.5" SATA 6Gb/s HDD/SSD drive bay
	Storage	On-board SSD colay SATA1 (optional)
		1 x mSATA colay SATA2 1 x microSD socket
System Function	USB 3.1 Gen 1	1
	USB 2.0	3
	Ethernet	2 x RJ-45
		LAN1: Intel® I210-IT PCIe controller LAN2: Intel® I210-IT PCIe controller
	COM Port	2 x RS-232 (RS-232 pin header is optional) 1 x RS-422/485 (pin header, optional)
	Display	1 x VGA
	Resolution	VGA (up to 2560x1600@60Hz)
	Audio	1 x Line-out, 1 x Mic-in
	LED Indicator	Power, HDD
	Wireless	802.1b/g/n 2T2R (optional)
Expansions	PCIe Mini	2 x Full-size PCIe Mini slot
	E-Window	1
Power	Power Input	DC jack: 12 V DC
	Power Consumption	12 V @ 1.32 A (Intel® Atom™ E3845 processor)
Reliability	Mounting	Wall mount, VESA 75
	Operating Temperature	E3845 (10W): -40°C ~ 50°C without fan module/ -40°C ~ 75°C with fan module
		E3825 (6W): -40°C ~ 65°C without fan module
	Operating Shock	Half-sine wave shock 5G, 11ms, 3 shocks per axis
Operating Vibration	MIL-STD-810F 514.5C-1 (with SSD)	
Weight (Net/Gross)	1.2 kg/2.2 kg	

Dimensions (Unit: mm)



Ordering Information

Part No.	Description
EBC-1100-BTW2-R10	Embedded chassis for WAFER-BT-E38001W2 Series MB with one 2.5" SATA hard drive bay, IO bracket, one LED cable, one power switch cable, one USB cable, one audio cable, RoHS, R10

Options

Part No.	Description
63040-010060-120-RS	FSP060-DIBAN2, 90 V ~ 264 V AC, 60 W, 12 V DC, ErP
19FR124010BL-000001-RS	Fan module, +12 V DC, 3-pin, 40 mm x 40 mm x 10 mm, EVERFLOW, 5000 RPM, two ball bearing, L=250 mm
32205-004700-100-RS	RS-422/485 cable, 100 mm, P=2.0
32200-074500-RS	RS-232 cable, 150 mm, P=2.0
32801-003608-100-RS	SATA power cable kit, 150 mm
DK-75-R10	VESA 75 to DIN-rail mounting kit

Packing List

1 x QIG	1 x Wall mount bracket	1 x Screw set
---------	------------------------	---------------