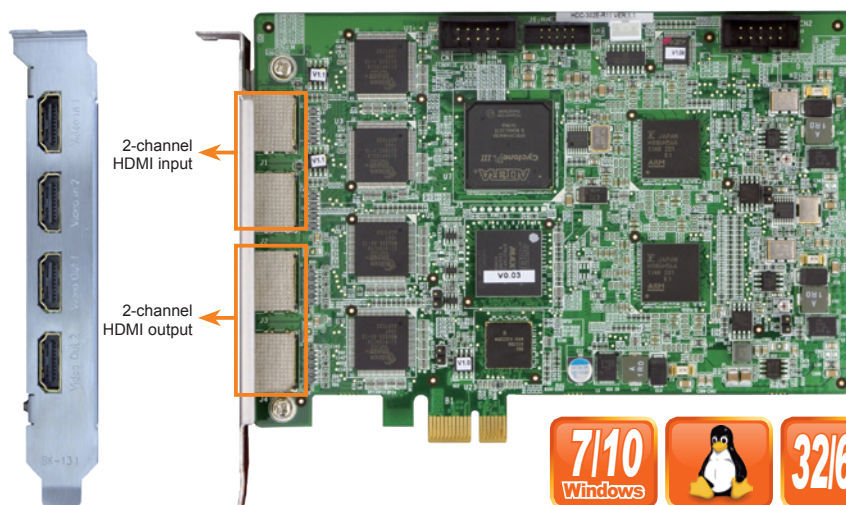


HDC-302E

PCI Express Video/Audio Capture Card with Two Channel HDMI Inputs and Two Channel HDMI Outputs, 1920x1080@60p, and H.264 Hardware Codec



H.264 Hardware Codec



Features

- 2-channel HDMI input with H.264 hardware compression and 2-channel HDMI output
- High quality video encoding or decoding up to 1080p60
- HDMI output port supports low-delay video pass through up to 1080p60, so you can check video while recording
- HDMI output port supports playback video file captured by HDC-30X series cards
- Low power consumption
- SDK available for customer to create customized applications
- Windows/Linux OS supported

Specifications

Interface

Video Input	2 channels
Video Input Type	HDMI
Audio Input	2 channels
Audio Input Type	HDMI
Video Output	2 channels
Video Output Type	HDMI
Audio Output	2 channels
Audio Output Type	HDMI
Bus Interface	PCIe x1
Loop Through	2 channels

Video Processing

Video Compression	H.264/AVC High Profile Level 4.2
Input Resolution & Frame Rate	1920 x 1080 x 60p / 59.94p / 50p 720 x 480 x 60i / 59.94i 1920 x 1080 x 60i / 59.94i / 50i 720 x 576 x 50i 1280 x 720 x 60p / 59.94p / 50p
Record Resolution / Frame Rate / Bit Rate	1920 x 1080 x 60p / 59.94p / 50p, encoding video -bit rate from 6Mbps to 20Mbps 1920 x 1080 x 60i / 59.94i / 50i, encoding video -bit rate from 6Mbps to 20Mbps 1280 x 720 x 60p / 59.94p / 50p, encoding video -bit rate from 4Mbps to 20Mbps 720 x 480 x 60i / 59.94i, encoding video -bit rate from 2Mbps to 10Mbps 720 x 576 x 50i, encoding video -bit rate from 2Mbps to 10Mbps

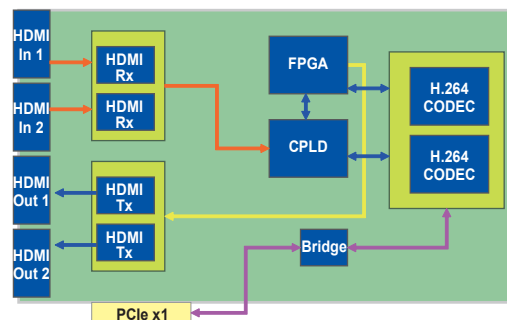
Functionality

Multiple Card Support	4 cards, 8 channels
-----------------------	---------------------

Audio Processing

Audio Compression	MPEG-1 Audio Layer 2
Bit Rate	256k

System Block



System Requirement

System	x86 PC compatible computer, Intel® Pentium® 4 2.0GHz or above for video record Recommends using a DXVA or CUDA capable graphics card for real-time video playback
Memory	1GB or more

Software Support

OS Support	Microsoft Windows 7/10 (32-bit & 64-bit) Linux: Ubuntu 16.04 (64-bit) (Kernel version: 4.4.0-21 x64)
SDK	Windows: Provides SDK and demo program with sample source code Linux: Provides SDK and demo program with sample source code

Others

Dimensions	155 mm x 98.6 mm
Operating Temperature	0°C ~ 65°C, non-condensing
Power Consumption	9.53W (12V@0.46A, 3.3V@1.21A)

Packing List

1 x HDC-302E
1 x QIG

Ordering Information

Part No.	Description
HDC-302E-R11	PCI Express video/audio capture card with two channel HDMI inputs and two channel HDMI outputs, 1920x1080@60p, and H.264 hardware codec