

# Portable Video Capture Box's Solution

## Key Features

### Perfect Quality



The video capture box performs high video quality with up to 1920x1080 30p recording format.

### Easy to Use

#### Setup Easily



With detailed instruction in the manual, users can easily setup the capture box with driver and AP, and the AP interface is easy to operate.

#### Preview Easily

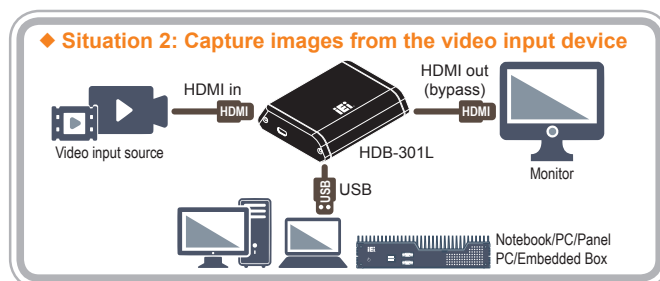
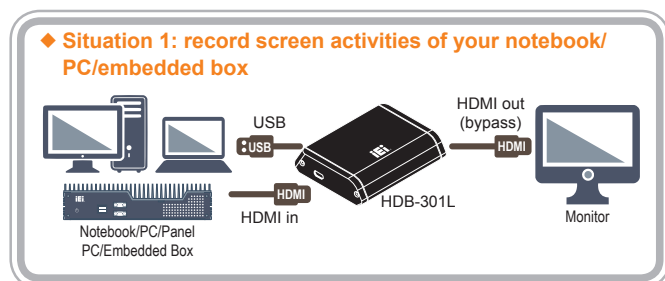


The capture box supports bypass function which includes two features:

1. The source from the HDMI port can be simultaneously and fully displayed in the bypass screen.
2. If the user chooses to record it, other tasks can also be performed and viewed in the same monitor without being affected, such as watching movie or playing video game with low latency.

### Easy to Connect and Communicate

With USB 2.0 and HDMI port, it is very easy to connect the capture box with different devices as shown in the figure below.

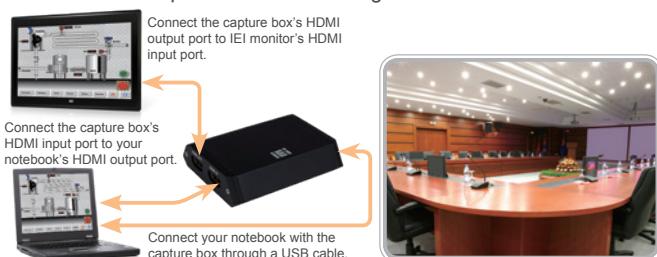


## Capture Box's Application

### Factory Conference Room

As shown in the figure above, the capture box can be applied in a factory conference room to perform lots of tasks, such as:

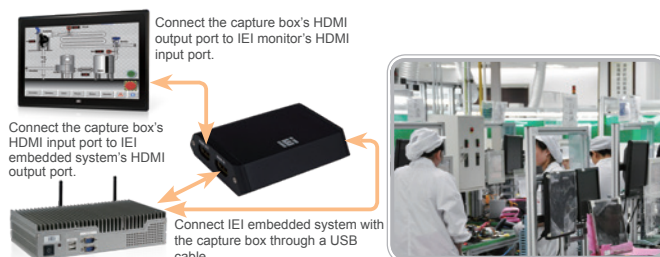
1. Job training recording.
2. Online video meeting recording/ Meeting minutes recording.
3. PowerPoint presentation recording.



### Factory Production Line

As shown in the figure above, the capture box can be applied in factory production line for:

1. Machine operation recording to check if any abnormal conditions that need to be fixed.
2. SOP process recording to improve the yield rate.

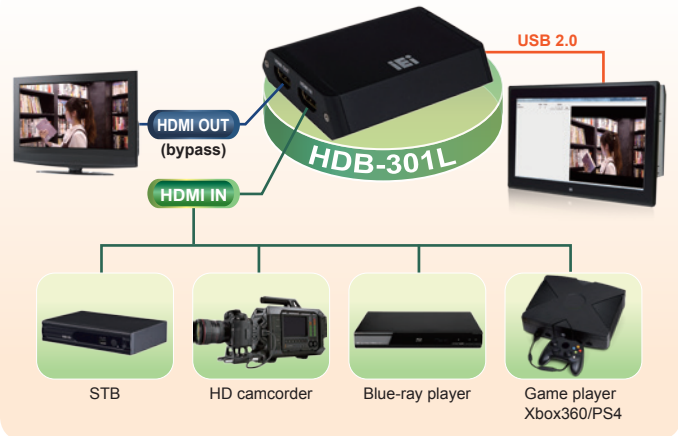


# HDB-301L

USB 2.0 Video/Audio Capture Box with One Channel HDMI Input and One Channel HDMI Bypass Output, 1920x1080@30p, and H.264 Hardware Encoder



## H.264 Hardware Encoder Video Recording/Streaming



### Features

- 1-channel HDMI input with H.264 hardware compression and 1-channel HDMI bypass output
- High quality video recording up to 1080p30
- HDMI bypass output supports low-delay video pass through up to 1080p60, so you can watch video while recording
- Provides DirectShow filter
- Windows/Linux OS supported

### Specifications

#### ◆ Interface

Input	Video input channel	1 channel
	Video input type	HDMI
	Audio input channel	1 channel
No Delay Pass Through	Audio input type	HDMI (stereo)
	Video output channel	1 channel (1080p 60)
	Audio output channel	1 channel
	Video output type	HDMI
	Audio output type	HDMI (stereo)

#### ◆ PC Interface

Type	USB 2.0
------	---------

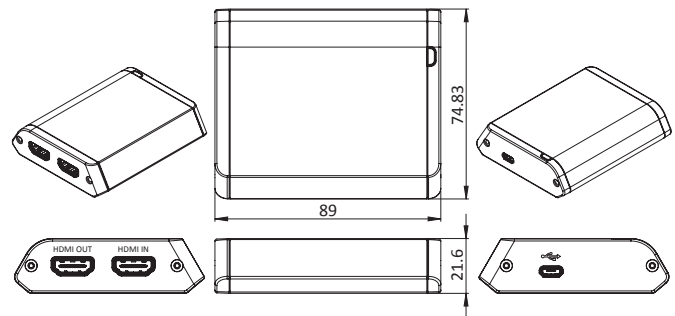
#### ◆ Video Processing

Hardware Encoder	H.264/AVC High Profile Level 4.1	
Recording Datarate	Up to 30Mbps	
Video Input Resolution	1920 x 1080 24p/25p/30p/50p/60p 1920 x 1080 60i/59.94i/50i	1280 x 1024 30p 1280 x 768 60p
	1280 x 720 50p/60p 800 x 600 60p 720 x 480 60p	1024 x 768 60p 720 x 576 50p 640 x 480 60p
Recording Formats	1920 x 1080 24p/25p/30p 1280 x 800 60p	1280 x 1024 30p 1280 x 768 60p
	1280 x 720 50p/60p 800 x 600 60p 720 x 480 60p	1024 x 768 60p 720 x 576 50p 640 x 480 60p

#### ◆ Audio Processing

Audio Sampling Frequencies	44.1k, 48k Hz
Audio Compression	MPEG4-AAC
Recording Datarate	128kbps

### Dimensions (Unit: mm)



#### ◆ System Requirement

System	Intel® Core™2 Duo 2.4GHz or above
Memory	2GB or more

#### ◆ Software Support

OS Support	Microsoft Windows 7/8.1/10 (32-bit & 64-bit) Linux: Ubuntu 16.04 (64-bit) (Kernel version: 4.4.0-21-generic)
SDK	Windows: Provides SDK and demo program with sample source code Linux: Provides SDK and demo program with sample source code

#### ◆ Functionality

Multiple Card Support	4 boxes, 4 channels
Scaling	Video scaling down compression

#### ◆ Others

Dimensions	89 mm x 74.83 mm x 21.6 mm
Operating Temperature	0°C ~ 60°C (32° ~ 140°F), non-condensing
Power Consumption	4.5W
Weight	156g

### Packing List

1 x HDB-301L	
1 x USB cable (600mm)	1 x QIG

### Ordering Information

Part No.	Description
HDB-301L-R10	USB 2.0 video/audio capture box with one channel HDMI input and one channel HDMI bypass output, 1920x1080@30p, and H.264 hardware encoder