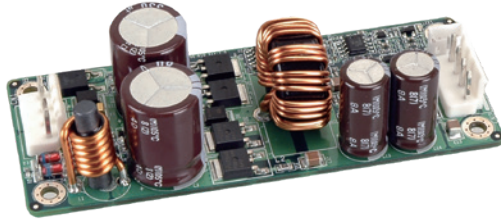


IDD-241100

100 W DC/DC Converter Module

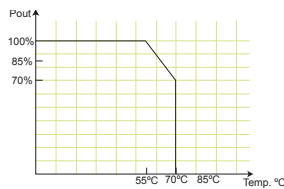


Features

1. 100W total power
2. AT mode on/off
3. Up to 90% efficiency
4. RoHS compliant
5. Compact size

Specifications

- Output (max.): 12 V@8.33 A
- Max. total output: 100 W
- Input: 24 VDC
- Performance characteristics
Noise & ripple: <240 mV
Load regulation: <240 mV
Efficiency: Up to 90%
- Dimensions (mm): 40 x 100
- Weight (NW): 60 g
- Operating temperature: -20°C ~ 70°C



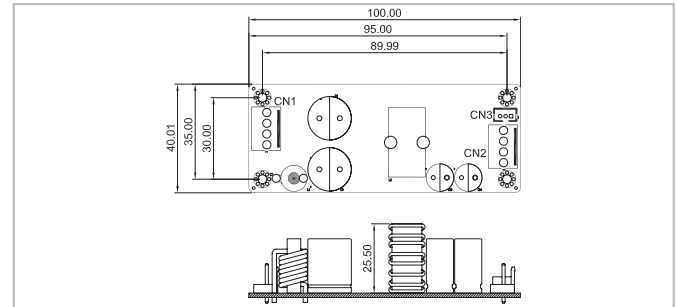
Wire Harness Selection Guide

DC Input (CN1)



PN: **CB-NOLP4-RS**
Cable for terminal block

Dimensions (Unit: mm)



Packing Information

1 x IDD-241100 1 x QIG

Ordering Information

| Part No. | Description |
|----------------|---|
| IDD-241100-R10 | 100 W DC/DC 24 V input, 12 V output with 100W total power |
| CB-NOLP4-RS | 20 cm cable for terminal block DC input |

Pin Assignments

Input Power Connector

| CN1 | Pin 1 | Pin 2 | Pin 3 | Pin 4 |
|-----|-------|-------|-------|-------|
| | VIN | VIN | GND | GND |

Output Power Connector

| CN2 | Pin 1 | Pin 2 | Pin 3 | Pin 4 |
|-----|-------|-------|-------|-------|
| | +12 V | +12V | GND | GND |

Power on/off, LED Connector

| CN3 | Pin 1 | Pin 2 | Pin 3 |
|-----|---|-------|---|
| | SHDN# (Shut down output power function, short Pin1 & Pin2) | GND | LEDA (Disable LED function, short Pin2 & Pin3) |

IDD-936160

60 W DC/DC Converter Module



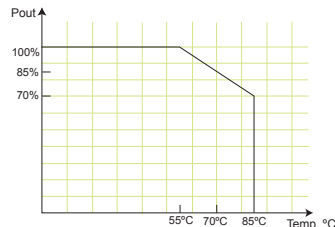
IDD-936160 60W DC/DC Converter Module is a high performance buck-boost switching regulator power module. The constant frequency current mode architecture allows a phaselockable frequency of up to 400 kHz. With a wide 9V to 36V input and 12V output and seamless transfers between operating modes, the IDD-936160 is ideal for embedded systems with limited space.

Features

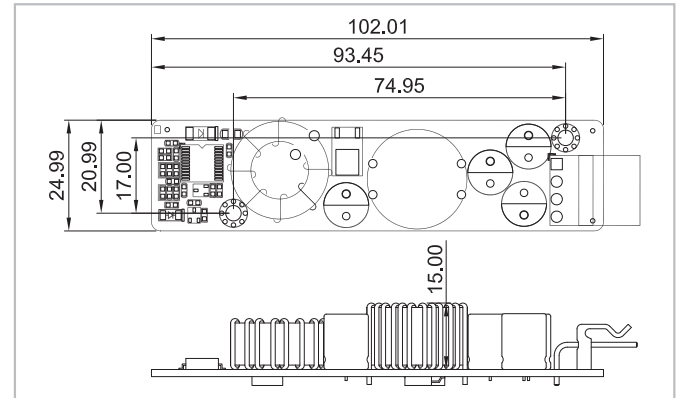
1. Wide input range: 9-36 VDC
2. 12 VDC output up to 5 Amp
3. Compact size
4. Efficiency up to 95%
5. RoHS compliant

Specifications

- Output (max.): 12 V@5 A
- Max. total output: 60 W
- Input: 9 VDC to 36 VDC
- Performance characteristics
Noise & ripple: <300 mV
Line regulation: <300 mV
Load regulation: <85 mV
Efficiency up to 95%
- Dimensions (mm): 82 x 25
- Weight (NW): 28 g
- Operating temperature: -40°C ~ 85°C



Dimensions (Unit: mm)



Pin Assignments

Input/Output Connector

| VOUT1 | Pin1 | Pin2 | Pin3 |
|-------|--------------|------|------|
| | +12 V Output | GND | Vin |



P/N: 32102-015700-100-RS

Packing Information

1 x IDD-936160 1 x QIG
1 x 300 mm wire cable (P/N: 32102-015700-100-RS)

Ordering Information

| Part No. | Description |
|----------------|--------------------------------------|
| IDD-936160-R20 | 60 W DC/DC 9~36 V input, 12 V output |